

# JENSEN Sanitation Systems

## Installation, Operation and Service Instructions for Models 747E and 747M Toilets

The Jensen 747 Sanitation System is a self-contained recirculating, wet bowl, flushing toilet. In addition to the wet bowl, a unique "Odor-Lok"™ stopper is provided for prevention of undesirable odors. Electrically and manually operated models are available for all recreational vehicles, pleasure boats, cabins and similar uses. The toilets may be permanently installed over holding tanks, discharge systems or used as a portable unit.



Model 747E Electrically Operated



Model 747M Manually Operated

# JENSEN Sanitation Systems

A Jensen Industries Company

1946 East 46th Street, Los Angeles, Calif. 90058 • Phone: (213) 232-8292



# Installation Instructions

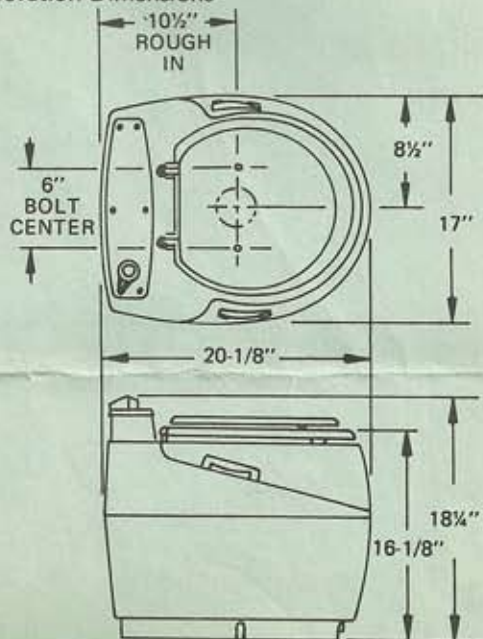
## Models 747E and 747M Toilets

### PERMANENT INSTALLATION (TANK OR PLUMBING):

1. Space requirements may best be determined by physically placing the toilet in the toilet compartment prior to installation.
2. Refer to Fig. E for toilet dimensions.
3. Refer to Fig. F for typical installation layout and reference numbers.
4. Bond drain adapter (Fig. F-1) into bottom recess of drain valve with ABS Type 1 solvent cement, or equivalent. Allow to dry 30-60 minutes. **CAUTION: DO NOT ALLOW SOLVENT CEMENT TO ENTER DRAIN VALVE AREA.**
5. Cut 5" hole in floor.
6. Insert two 5/16" x 1" brass closet bolts (Fig. F-9) up through bottom of closet flange (Fig. F-8) in proper position to accept mounting bracket (Fig. F-6). Attach closet flange to floor with No. 12 flat head wood screws.
7. Place closet flange gasket (Fig. F-7) into floor flange. **IMPORTANT: PRESS GASKET DOWN FLUSH WITH TOP OF FLOOR FLANGE.**
8. Place mounting bracket (Fig. F-6) over closet bolts on closet flange and tighten down using two washers (Fig. F-3) and two 5/16 - 18 nuts (Fig. F-2). **IMPORTANT: DO NOT DISTORT MOUNTING BRACKET.**
9. Center toilet over closet flange, hold and align slots in sides of toilet over screws protruding from sides of mounting bracket. Press toilet straight down to floor.
10. Place key washers (Fig. F-5) over screws, inserting washer key into holes immediately above slots. **NOTE: Washer keys must be inserted in holes to prevent toilet from moving.** Tighten wing nuts (Fig. F-4) until finger tight.

For electric models, attach power supply cord protruding from rear of unit to properly installed power supply. Use 16 or 18 gauge wire. **NOTE: Electrically operated toilets are to be used with 12 Volts DC only.** Motor requires 5 AMPS for proper operation.

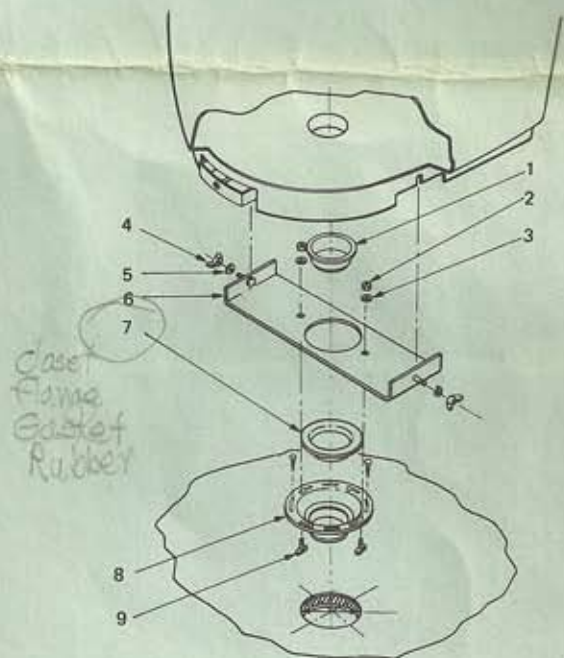
Fig. E  
Models 747E and 747M  
Plan & Elevation Dimensions



### PORTABLE INSTALLATION:

1. Space requirements may best be determined by physically placing the toilet in the toilet compartment prior to installation.
2. Refer to Fig. E for toilet dimensions.
3. Refer to Fig. F for typical installation layout and reference numbers.
4. Attach mounting bracket (Fig. F-6) to the floor with 1/4" space between floor and bracket (1/4" plywood may be used.) Fasten to floor with two No. 14 flat head screws.
5. Place toilet over mounting bracket. Align slots in sides of toilet with screws protruding from sides of mounting brackets and lower to floor.
6. Place key washers (Fig. F-5) over screws, inserting washer key into holes immediately above slots. **NOTE: Washer keys must be inserted in holes to prevent toilet from moving.** Tighten wing nuts (Fig. F-4) until finger tight.

Fig. F  
Models 747E and 747M  
Typical Installation



**PARTS INCLUDED WITH  
747E AND 747M TOILETS**  
(Fig. F-1) 1/ea. Drain Adapter  
(Fig. F-4) 2/ea. Wing Nuts  
(Fig. F-5) 2/ea. Key Washers  
(Fig. F-6) 1/ea. Mounting  
Bracket  
(Fig. F-7) 1/ea. Closet  
Flange Gasket *Rubber*  
1/ea. Package  
Jensen Chem Care

**PARTS NOT INCLUDED  
WITH 747E AND 747M  
TOILETS**  
(Fig. F-2) Nuts  
(Fig. F-3) Washers  
(Fig. F-8) Closet Flange  
(Fig. F-9) Closet Bolts



Phil Partida 11-3-00

# Operating Instructions

Models 747E and 747M Toilets

## CHARGING INSTRUCTIONS — MODEL 747E

1. Close and lock drain valve by pushing drain valve handle firmly into place and securing with drain valve handle spring.
2. Lift flush handle and move out of rear detent.
3. To charge toilet, pour one package of Jensen Chem Care into toilet bowl. Slowly add 3-1/2 gallons of water directly into bowl.
4. Flush toilet until chemical is completely dissolved.
5. Close stopper in toilet bowl by returning flush handle to rear position and lock into rear detent.

## COLD WEATHER PREPARATION

**CAUTION: USE ONLY ETHYLENE-GLYCOL BASE ANTI-FREEZE. DO NOT USE ALCOHOL BASE PRODUCTS.**

1. In place of water, include the required amount of anti-freeze and water mix as part of the initial charge of 3-1/2 gallons. See anti-freeze container for complete instructions.
2. For maximum protection of the 8-gallon capacity, use sufficient anti-freeze and water mix.

## USE OF ELECTRICALLY OPERATED TOILET — MODEL 747E

1. **Filling Toilet Bowl:**
  - (a) Lift flush handle above rear detent, rotate forward until water pumps through bowl, then return to rear position and lock into rear detent.
2. **Flushing Toilet:**
  - (a) Lift flush handle above rear detent, rotate forward until water pumps through bowl and hold until bowl is clean.
  - (b) Return flush handle to rear position and lock into rear detent.
3. **Draining Bowl:**
  - (a) Lift flush handle above rear detent, rotate forward slightly until bowl drains. Do not start up motor.
  - (b) Return flush handle to rear position and lock into rear detent.

## CHARGING INSTRUCTIONS — MODEL 747M

1. Close and lock drain valve by pushing drain valve handle firmly into place and securing with drain valve handle spring.
2. Lift flush handle and move out of rear detent.
3. To charge toilet, pour one package of Jensen Chem Care into toilet bowl. Slowly add 3-1/2 gallons of water directly into bowl.
4. Flush toilet until chemical is completely dissolved.
5. Close stopper in toilet bowl by returning flush handle to rear detent position and lock into rear detent.

## COLD WEATHER PREPARATION

**CAUTION: USE ONLY ETHYLENE-GLYCOL BASE ANTI-FREEZE. DO NOT USE ALCOHOL BASE PRODUCTS.**

1. In place of water, include the required amount of anti-freeze and water mix as part of the initial charge of 3-1/2 gallons. See anti-freeze container for complete instructions.
2. For maximum protection of the 8-gallon capacity, use sufficient anti-freeze and water mix.

## USE OF THE MANUALLY OPERATED TOILET — MODEL 747M

1. **Filling Toilet Bowl:**
  - (a) Use hand pump to pump sufficient water into toilet bowl to fully cover the stopper and provide a wet bowl.
2. **Flushing Toilet:**
  - (a) Lift flush handle above rear detent and rotate to forward position.
  - (b) Pump water into bowl until clean.
  - (c) Return flush handle to rear position and lock into rear detent.

## EMPTYING TOILET MODELS 747E AND 747M PERMANENT INSTALLATION

1. Disengage drain valve handle spring.
2. Pull drain valve fully forward.
3. Allow toilet contents to fully drain.
4. Rinse toilet with fresh water and allow to drain.
5. Push drain valve handle firmly into place and secure with drain valve handle spring.

## PORTABLE INSTALLATION

**NOTE: ELECTRICALLY OPERATED TOILETS MUST BE DISCONNECTED FROM THE POWER SUPPLY BEFORE REMOVAL.**

1. Remove wing nuts and key washers securing toilet to floor. Place toilet over suitable disposal unit.
2. To drain contents, disengage drain valve handle spring and pull drain valve handle fully forward.
3. Allow contents to fully drain.
4. Rinse with clear water and allow to drain.
5. Push drain valve handle firmly into place and secure with drain valve handle spring.

## PREPARATION FOR TRAVELING:

It is desirable to empty toilet bowl while traveling. The Odor-Lok™ seal will effectively control odor.

(a) *Manually Operated Toilet* - rotate the flush handle to the open position until the bowl is empty. Return handle to rear position and lock into rear detent.

(b) *Electrically Operated Toilet* - rotate the flush handle toward the open position just far enough to allow water to drain from the bowl without starting the motor. When the bowl is empty, return handle to rear position and lock into rear detent.

## JENSEN CHEM CARE TREATMENT

For the continuous control of odor after the toilet is in use, add one package of Chem Care and one gallon of water, as desired, until the toilet capacity of 8-gallons has been reached. The toilet must be emptied when the contents are within one inch of opening in bottom of bowl.

# JENSEN Sanitation Systems

A Jensen Industries Company

1946 East 46th Street, Los Angeles, Calif. 90058 • Phone: (213) 232-8292

at St. Charles St. off Vernon Ave in Vernon

off I-10 at  
Alameda. So  
to Vernon Ave, L  
(E) to St. Chas.



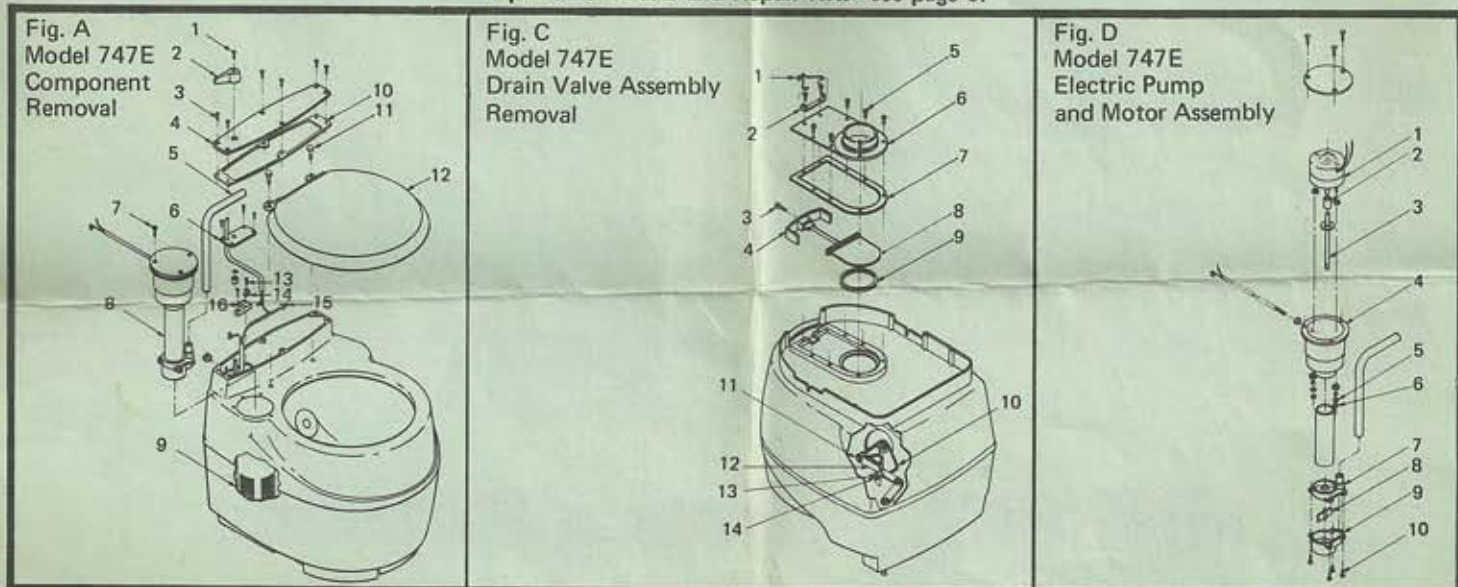
# Service Instructions

## Model 747E Toilet

### REMOVAL PROCEDURES

- Flush Handle: (Fig. A-2)**
  - Unscrew and remove retaining screw (Fig. A-1).
  - Lift off handle.
- Access Cover: (Fig. A-4)**
  - Remove Flush Handle (Fig. A-2).
  - Unscrew six screws holding access cover (Fig. A-3).
  - Carefully remove access cover to avoid damaging gasket (Fig. A-10).
- Stopper Arm Assembly: (Fig. C-10)**
  - Remove flush handle (Fig. A-2) and access cover (Fig. A-4).
  - Remove "E" Ring (Fig. C-11) holding stopper arm link (Fig. C-12) to stopper arm shaft (Fig. C-13).
  - Remove one "E" Ring (Fig. C-14) holding stopper arm shaft (Fig. C-13) and slide shaft out of assembly.
  - Remove assembly from tank.
- Drain Valve: (Fig. C)**
  - Disconnect drain valve handle spring (Fig. C-1) from drain valve handle (Fig. C-4).
  - Remove screws (Fig. C-5) securing drain valve cover (Fig. C-6).
  - Lift off drain cover (Fig. C-6) and spring clip retainer (Fig. C-2). Be careful not to damage gasket (Fig. C-7).
  - Pull out drain valve handle (Fig. C-4) until "O" Ring (Fig. C-8) is visible.
  - Remove "O" Ring (Fig. C-8).
  - Remove "O" Ring (Fig. C-9).
- Drain Valve Handle: (Fig. C-4)**
  - Disconnect drain valve handle spring (Fig. C-1) from drain valve handle (Fig. C-4).
  - Remove screw (Fig. C-3).
- Toilet Seat: (Fig. A-12)**
  - Remove two screws (Fig. A-11) from rear of seat assembly.
- Electric Pump Assembly: (Fig. A-8)**
  - Disconnect toilet from power supply.
  - Remove flush handle (Fig. A-2). See instruction 1.
  - Remove access cover (Fig. A-4). See instruction 2.
  - Remove switch housing cover (Fig. A-6).
  - Untwist wire nuts (Fig. A-15) to remove electrical wires from motor.
  - Remove three screws (Fig. A-7) securing motor and pump assembly (Fig. A-8) to top of toilet.
  - Lift pump assembly (Fig. A-8) out far enough to disconnect pump tubing (Fig. A-5) from pump, then remove assembly from toilet.
- Disassembly Procedures for Pump and Motor Assembly: (Fig. D)**
  - Remove four screws (Fig. D-10) from bottom of pump housing (Fig. D-9).
  - Remove impeller blade (Fig. D-8) from pump shaft (Fig. D-3).  
**NOTE:** Pump shaft (Fig. D-3) may separate from motor (Fig. D-1) while impeller blade (Fig. D-8) is being removed. Do not attempt to remove pump shaft (Fig. D-3) before removing motor mounting nuts (Fig. D-6) and motor (Fig. D-1).
  - Remove motor mounting nuts (Fig. D-6) and motor (Fig. D-1). If pump shaft (Fig. D-3) separates from motor (Fig. D-1), slide it out through motor housing (Fig. D-4).
- Assembly Procedures for Pump and Motor Assembly: (Fig. D)**
  - Install coupling (Fig. D-2) midway onto motor shaft and install knurled end of pump shaft (Fig. D-3) into coupling (Fig. D-2).
  - Install motor (Fig. D-1) and pump shaft (Fig. D-3) into housing (Fig. D-4) and secure with washers (Fig. D-5) and motor mounting nuts (Fig. D-6).  
**NOTE:** If difficulty is experienced in attempting to guide the pump shaft (Fig. D-3) through the pump base (Fig. D-7), a length of string may be put through the base (Fig. D-7) and tied to the shaft (Fig. D-3).
  - Install impeller blade (Fig. D-8) on pump shaft (Fig. D-3).
  - Install bottom of pump housing (Fig. D-7). **DO NOT OVERTIGHTEN SCREWS.**
- Electric Switch: (Fig. A-14)**
  - Disconnect toilet from power supply.
  - Remove flush handle. See instruction 1.
  - Remove access cover. See instruction 2.
  - Remove switch housing cover (Fig. A-6).
  - Disconnect electrical wires from switch terminals.
  - Remove two screws (Fig. A-13) securing actuator and switch (Fig. A-14) to switch mounting block (Fig. A-16).
- Pump Filter: (Fig. A-9)**
  - Remove pump assembly (Fig. A-8). See instructions 7f and 7g, and lift out filter (Fig. A-9).

Replacement Parts and Repair Kits - see page 6.





# Service Instructions

## Model 747M Toilet

### REMOVAL PROCEDURES

- 1. Flush Handle: (Fig. B-2)**
  - (a) Unscrew and remove retaining screw (Fig. B-1).
  - (b) Lift off handle.
- 2. Access Cover: (Fig. B-4)**
  - (a) Remove flush handle (Fig. B-2).
  - (b) Unscrew six screws holding access cover (Fig. B-3).
  - (c) Carefully remove access cover to avoid damaging gasket (Fig. B-10).
- 3. Stopper Arm Assembly: (Fig. C-10)**
  - (a) Remove flush handle (Fig. B-2) and access cover (Fig. B-4).
  - (b) Remove "E" Ring (Fig. C-11) holding stopper arm link (Fig. C-12) to stopper arm shaft (Fig. C-13).
  - (c) Remove one "E" Ring (Fig. C-14) holding stopper arm shaft (Fig. C-13) and slide shaft out of assembly.
  - (d) Remove assembly from tank.
- 4. Drain Valve: (Fig. C)**
  - (a) Disconnect drain valve handle spring (Fig. C-1) from drain valve handle (Fig. C-4).
  - (b) Remove screws (Fig. C-5) securing drain valve cover (Fig. C-6).
  - (c) Lift off drain cover (Fig. C-6) and spring clip retainer (Fig. C-2). Be careful not to damage gasket (Fig. C-7).
  - (d) Pull out drain valve handle (Fig. C-4) until "O" Ring (Fig. C-8) is visible.
  - (e) Remove "O" Ring (Fig. C-8).
  - (f) Remove "O" Ring (Fig. C-9).
- 5. Drain Valve Handle: (Fig. C-4)**
  - (a) Disconnect drain valve handle spring (Fig. C-1) from drain valve handle (Fig. C-4).
  - (b) Remove screw (Fig. C-3).
- 6. Toilet Seat: (Fig. B-12)**
  - (a) Remove two screws (Fig. B-11) from rear of seat assembly.
- 7. Manual Pump Assembly: (Fig. B-8)**
  - (a) Remove three screws (Fig. B-7) securing pump assembly to top of toilet.
  - (b) Lift pump assembly (Fig. B-8) out far enough to disconnect pump.
- 8. Pump Filter: (Fig. B-9)**
  - (a) Remove pump assembly (Fig. B-8). See instructions 7a and 7b, and lift out filter (Fig. B-9).

### FOR BEST RESULTS, ODOR CONTROL AND TROUBLE FREE SERVICE:

1. Use only water soluble toilet tissue - not a facial or wet strength tissue.
2. Do not deposit sanitary napkins or any other items not normally deposited in a household toilet.
3. Use household soap or detergent and water for cleaning. A non-solvent base wax may be used to enhance the appearance of your toilet.
4. After cleaning toilet interior, rinse thoroughly. Residue of soap and detergent may adversely affect the chemical balance of Jensen Chem Care.
5. Use of any chemical other than Jensen Chem Care may cause damage to your toilet.
6. If toilet is not to be used for a period of time - drain and clean thoroughly.

Fig. B  
Model 747M  
Component Removal

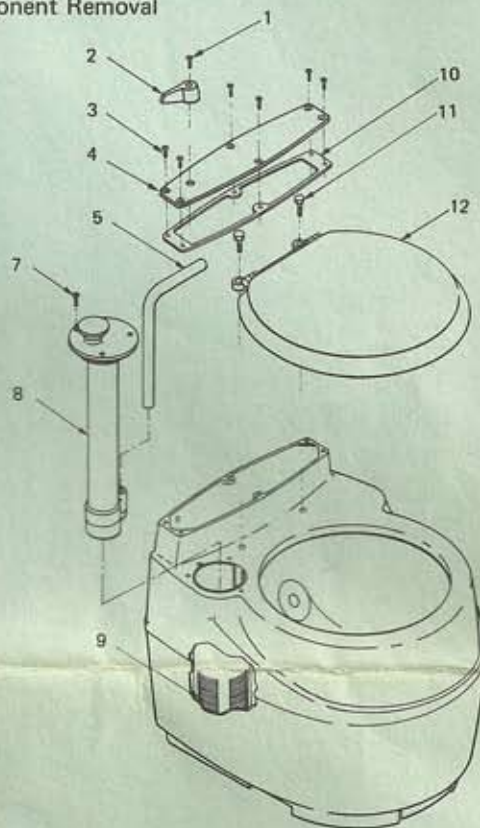
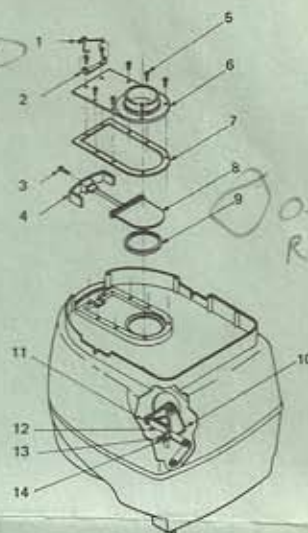


Fig. C  
Model 747M  
Drain Valve Assembly  
Removal



Replacement Parts and Repair Kits - see page 6.

# JENSEN Sanitation Systems

A Jensen Industries Company

1946 East 46th Street, Los Angeles, Calif. 90058 • Phone: (213) 232-8292



# Replacement Parts & Repair Kits

## MODEL 747E (ELECTRIC) TOILET

## MODEL 747M (MANUAL) TOILET

PUMP ASSEMBLY KIT W/O MOTOR (Includes all pump parts except motor - see #60706 and filter - see #60711)	#90748
MOTOR	#60706
DRAIN VALVE REPAIR KIT (Includes all replaceable drain valve parts except drain valve gasket kit - see #90745)	#90746
DRAIN VALVE GASKET KIT (Includes all seals and gaskets for drain valve)	#90745
STOPPER ASSEMBLY KIT (Includes all parts required to replace stopper arm assembly)	#90131
TOILET SEAT	#52940
PUMP FILTER	#60711
MICRO SWITCH	#60724

PUMP ASSEMBLY KIT (Includes all pump parts except filter - see #60593)	#90749
DRAIN VALVE REPAIR KIT (Includes all replaceable drain valve parts except drain valve gasket kit - see #90745)	#90746
DRAIN VALVE GASKET KIT (Includes all seals and gaskets for drain valve)	#90745
STOPPER ASSEMBLY KIT (Includes all parts to replace stopper arm)	#90131
TOILET SEAT	#52940
PUMP FILTER	#60593

PRINTED IN U.S.A. / 6-71 / S-512 / 5M



# JENSEN Sanitation Systems

A Jensen Industries Company

1946 East 46th Street, Los Angeles, Calif. 90058 • Phone: (213) 232-8292