

## Comments

**General:** This manual is a copy of the Clark Cortez Parts Manual of January 1, 1968. It applies specifically to Cortez #'s 1 – 2200. Where Cortez parts carry through to later models it may be useful.

**Index:** Using Adobe Acrobat, the “Bookmarks” feature is set up as an index. Selecting the appropriate bookmark will take you to the first page listed in the paper index.

**Pages Missing:** It may appear that pages are missing. In reality all useful pages are present. In the paper manual illustrations were always placed on pages facing the material lists. This often resulted in blank pages that, although not physically numbered, were counted in the page count. These blank pages are not included in this electronic copy.

**Part Numerical Index:** The Parts Manual includes as the final 36 pages, a listing of all part numbers and the pages they appear on. These parts are no longer available and these pages seemed of very limited usefulness considering the time required to scan them. They are NOT included.

Jack Christensen 4/20/03

216  
/ 678-8300

Cortez Division  
Master Parts Book

No. CC-139



*This book covers units 1 thru 2200*

Clark Equipment Company

Published by  
Cortez Product Service  
Battle Creek, Michigan, U.S.A.

# CORTEZ DIVISION



CCM-291

This Master Parts Book has been updated to incorporate all changes covering Machine Serial No. 1 thru 2200, also replaces previous publications of Parts Book No. 129A, Parts Book No. 129A2, Parts Book No. 129A3 and Parts Book No. 129A4.

## GENERAL INSTRUCTIONS

The illustrations in this parts manual are typical, or stylized, and may show minor components, attaching parts, or optional equipment, which are not used on each Cortez.

When ordering parts from your Cortez dealer, please specify the part number shown in the parts book, plus the complete serial number of the Cortez for which the part is being ordered.

Several symbols are used in place of part numbers, these numbers are:

A.R. "As Required" Order the number of parts required for the job at hand, as some jobs may require a greater or lesser amount.

COMM. "Commercial" Parts so designated are available at any local agency supplying similar parts.

NSS. "Not Sold Separately" This category includes parts which we do not recommend replacing; parts not normally stocked by the dealer or the central warehouse.

Reference - as applied to parts made of wood, a local cabinet maker should be employed for repair or replacement owing to the difficulty of matching the material and finish from stock. This term is also used to indicate an item listed elsewhere in the parts book, and for purposes of orientation.

\*\*\* "Not Carried in Stock" Such parts are seldom required and are rarely available as a separate item.

# CORTEZ DIVISION

The Alphabetical Index below is a complete index  
for Clark Cortez Standard Replacement Parts.

## index

### A

Accelerator Linkage ..... 26-30  
Air Cleaner ..... 32-33  
Alternator ..... 42-49  
Antenna, Radio ..... 376-382  
Arm Rest ..... 226-228  
Axle, Front Steering ..... 96-100

### B

Battery, Charger ..... 418-419  
Battery, Interior ..... 160-161-164-170  
Battery, Running ..... 150-157  
Belts ..... 2-3  
Body ..... 316-335  
Brake Assembly, Front ..... 70-71  
Brake Assembly, Rear ..... 72-73  
Brake Lines ..... 74-75  
Brake Master Cylinder ..... 64-65  
Brake Pedal ..... 34-35  
Bumper, Front and Rear ..... 368-374

### C

Carpet ..... 226-228  
Circuit Breaker, Power Package ..... 128-148  
Clutch Assembly ..... 40-41  
Clutch Pedal ..... 34-35  
Control Cover, Transmission ..... 62-63  
Cooling System, Engine ..... 4-5  
Cylinder, Brake Master ..... 64-65  
Cylinder, Brake Wheel ..... 70-73  
Cylinder, Clutch Master ..... 36-37  
Cylinder, Clutch Slave ..... 38-39

### D

Defroster and Heater ..... 386-389  
Directional Light Flasher ..... 108-118  
Door, Int. Battery Compartment ..... 154-157  
Door, L.P.G. - Compartment ..... 160-170  
Door, Rear ..... 336-354  
Door, Side ..... 336-354  
Drainage System ..... 306-314  
Drain Hose, Septic Tank ..... 376-382  
Drive Shaft ..... 96-100

### E

Engine Accessories ..... 6-16  
Exhaust System ..... 18-19

### F

Fan ..... 2-3  
Flasher, Turn Signal ..... 108-118  
Front Brake Assembly ..... 70-71  
Fuel Lines ..... 20-21

### G

Gas Tank ..... 22-25  
Gauges ..... 106-118  
Gear, Steering ..... 86-87  
Grill, Radiator ..... 364-367

### H

Hand Wheel, Steering ..... 80-85  
Headliner ..... 198-209  
Heater and Defroster ..... 386-389  
Heater, Interior ..... 240-276  
Hinges, Door ..... 336-354  
Horn ..... 120-127  
Hydrovac ..... 66-68

### I

Instrument Panel ..... 106-118  
Interior - Bathroom ..... 230-238  
Interior, Left Side ..... 210-224  
Interior, Right Side ..... 194-209

### J

Jack ..... 376-382

### K

Kick Panels ..... 226-228

### L

Lights, Running and Clearance ..... 172-178  
Lines, Brake ..... 74-75  
Lines, L.P.G. .... 158-159-162-170  
Lines, Power Steering ..... 94-95  
Linkage, Parking Brake ..... 76-79  
Lock, Door ..... 336-354

### M

Mirror, Rear View ..... 376-382  
Muffler ..... 18-19

# CORTEZ DIVISION

## O

Oven ..... 408-411

## P

Padded Dash ..... 108-118  
 Paint ..... 426  
 Parking Brake Linkage ..... 76-79  
 Plumbing, Drain ..... 306-314  
 Plumbing, Fresh Water ..... 278-297  
 Power Cord ..... 376-382  
 Pump, Fresh Water ..... 298-305  
 Pump, Power Steering ..... 92-93

## R

Radiator ..... 4-5  
 Radio ..... 106-118  
 Rear Brake Assembly ..... 72-73  
 Refrigerator ..... 420-425  
 Regulator, L.P.G. .... 158-162-170  
 Relay, Battery Paralleling ..... 128-148  
 Relay, Horn ..... 120-127  
 Relay, Starter ..... 120-127  
 Regulator, Water Pressure ..... 278-297

## S

Safety Tread ..... 336-354  
 Seat Belts ..... 192-193  
 Seats, Dinette and Companion ..... 184-190  
 Seat, Drivers ..... 180-183  
 Shock Absorber (Front) ..... 96-100  
 Shock Absorber (Rear) ..... 102-103  
 Shower ..... 230-238  
 Spare Wheel ..... 368-374  
 Speaker, Front ..... 194-209  
 Speaker, Rear ..... 210-224  
 Springs, Rear ..... 102-103  
 Steering Column ..... 80-85

Steering Gear ..... 86-87  
 Steering Lines ..... 94-95  
 Steering Linkage ..... 88-90  
 Steering Pump ..... 92-93  
 Stove ..... 408-411  
 Sun Visor ..... 376-382  
 Suspension, Front ..... 96-100  
 Suspension, Rear ..... 102-103  
 Switch, Back-up Light ..... 62-63  
 Switch, Dimmer ..... 128-148

## T

Table, Dinette ..... 194-209  
 Tank, Holding (Septic) ..... 306-314  
 Tank, L.P.G. .... 158-170  
 Thermostat ..... 194-209  
 Tie Rod, Steering ..... 96-100  
 Tires ..... 104-105  
 Toilet ..... 398-407  
 Torsion Bar ..... 96-100  
 Transmission ..... 50-60  
 Transmission Control Cover ..... 62-63

## V

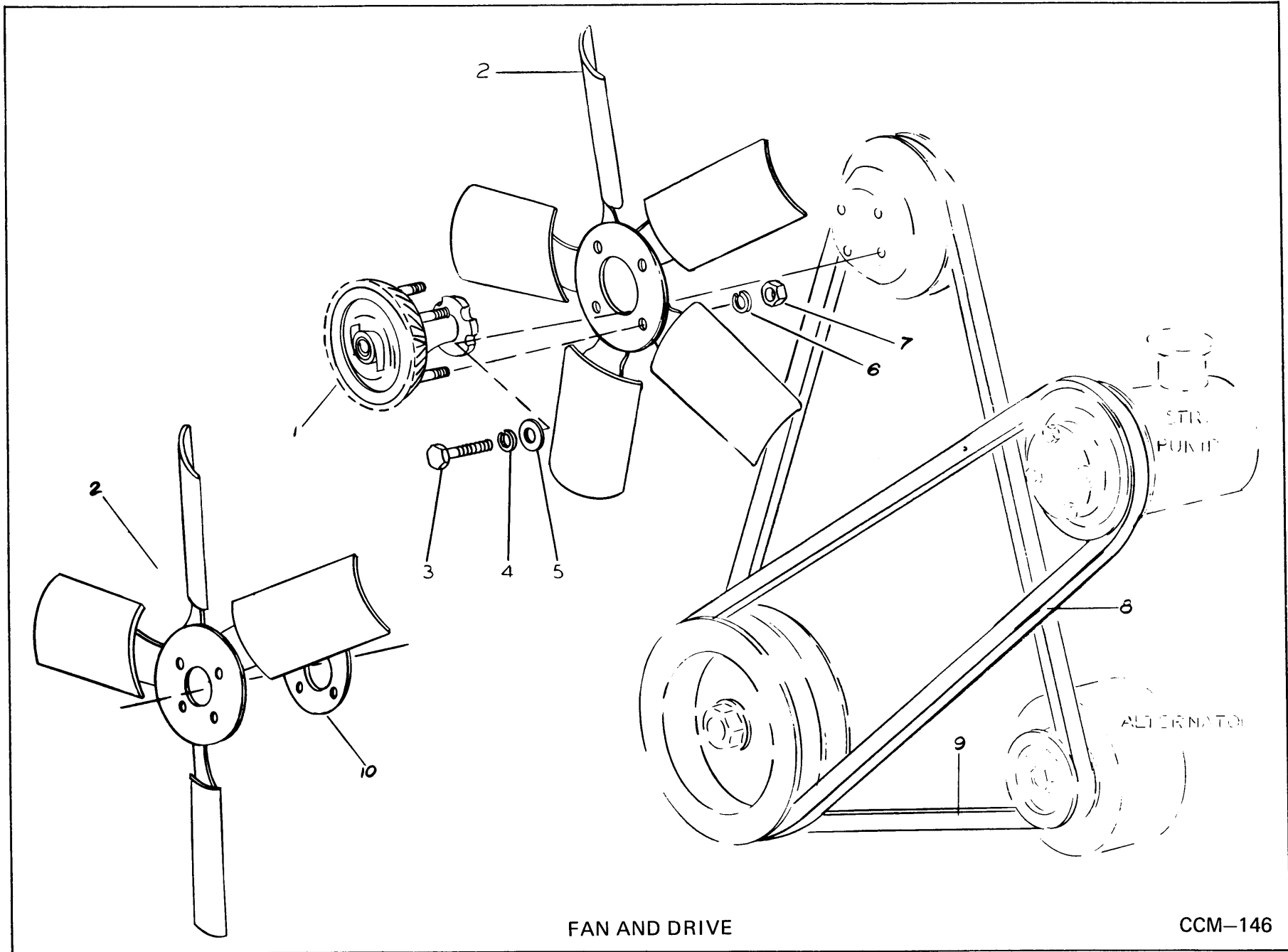
Valve, Holding Tank Dump ..... 306-314  
 Vents, Roof ..... 390-397  
 Voltage Regulator ..... 128-148

## W

Wardrobe ..... 194-209  
 Water Heater ..... 412-417  
 Water System ..... 278-297  
 Wheels ..... 104-105  
 Windows ..... 356-362  
 Windshield Wiper and Washer ..... 384-385  
 Wiring, Engine Compartment ..... 120-127  
 Wiring, Interior & Running ..... 128-148

This Master Parts Book No CC-139 replaces all previous  
Parts Books Nos 129A1, 129A2, 129A3 and 129A4.

*Note: Always give Vehicle Serial Number when ordering parts.*



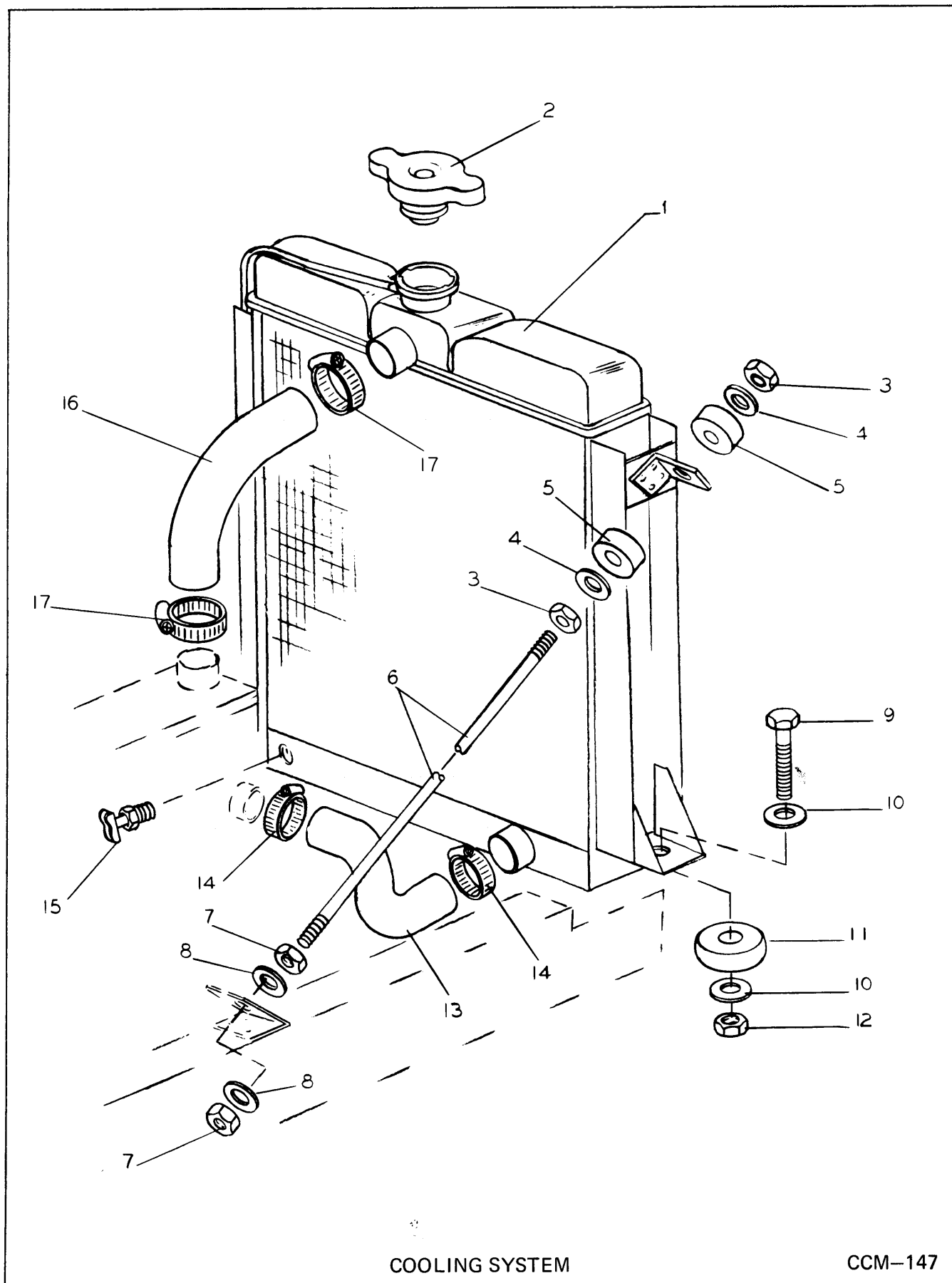
FAN AND DRIVE

CCM-146



ITEM	FAN AND DRIVE (Use Illustration CCM-146)	REQUIRED	Serial No.	Serial No.	Serial No.	Serial No.	Serial No.	ITEM
	DESCRIPTION		1-100	101-350	351-400	401-905	906-2200	
1	Visco Drive	1	1616239					1
2	Fan Blade	1	1616240				Not Used	2
3	Visco Drive to Pulley Bolt	4	1C-516		1C-532	1C-516	1675284	3
4	Visco Drive to Pulley Washer	4	664422				1C-532	4
5	Visco Drive to Pulley Lockwasher	4	4E-05				Not Used	5
6	Fan Blade Mounting Lockwasher	4	4E-05					6
7	Fan Blade Mounting Nut	4	2D-05				Not Used	7
8	Power Steering Pump Belt	1	1304132	1304942			1309264	8
9	Alternator Belt	1	351452					9
10	Fan Spacer	1	Not Used				1675496	10

# CORTEZ DIVISION

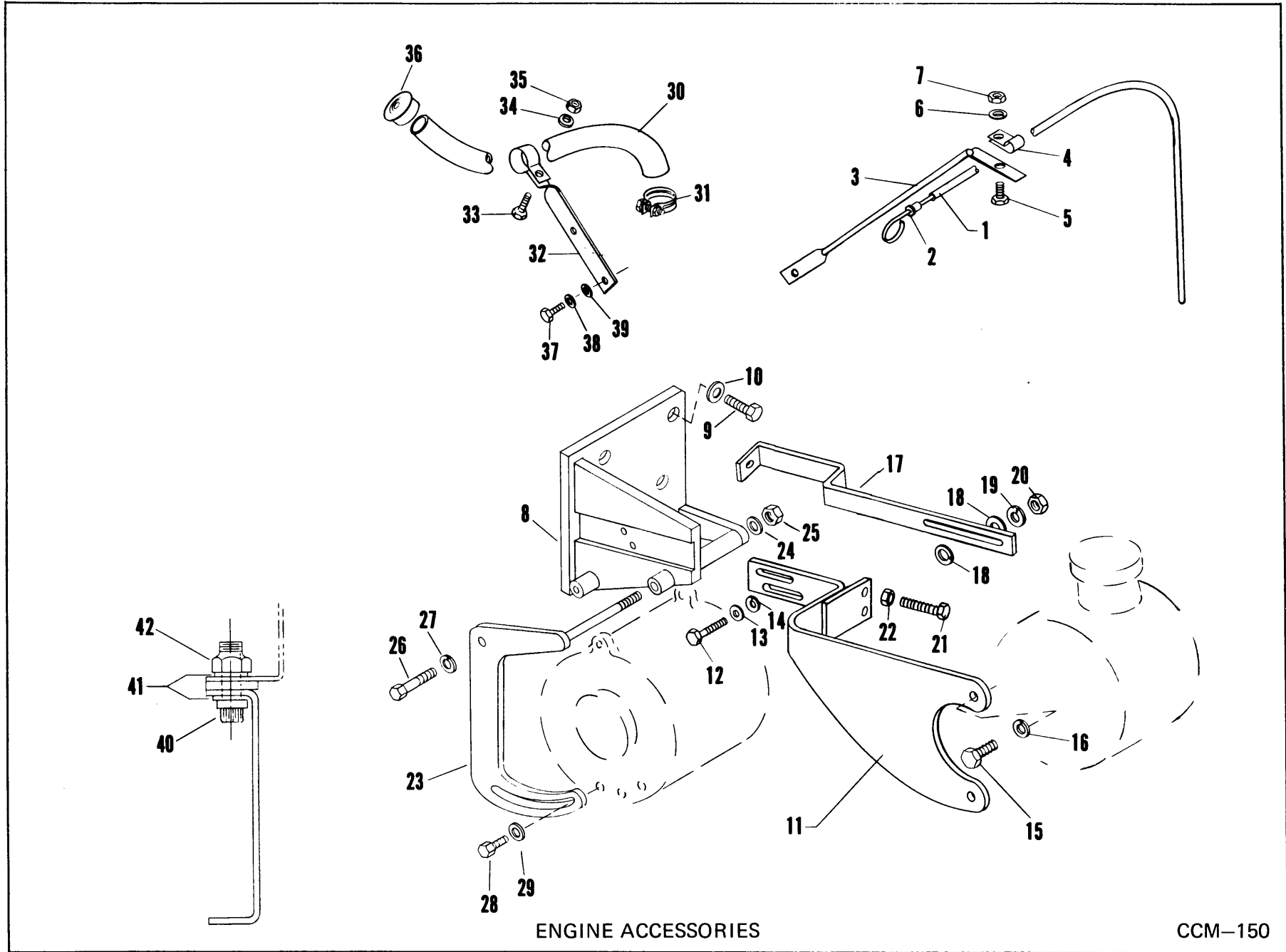


COOLING SYSTEM

CCM-147

ITEM	COOLING SYSTEM (Use Illustration CCM-147)	REQUIRED	Serial No. 1-100	Serial No. 101-350	Serial No. 351-400	Serial No. 401-905	Serial No. 906-2200		ITEM
	DESCRIPTION								
1	Radiator	1	336907				1670333		1
2	Radiator Cap	1	863364	525318	863364				2
3	Radiator Strut Nut—Upper	4	1D-05						3
4	Radiator Strut Washer—Upper	4	664422						4
5	Radiator Strut Cushion—Upper	4	336999						5
6	Radiator Strut	2	1302542		1306313	1302542			6
7	Radiator Strut Nut—Lower	4	1D-05						7
8	Radiator Strut Washer—Lower	4	664422						8
9	Radiator Mounting Bolt—Lower	2	1C-518						9
10	Radiator Mounting Washer—Lower	4	664422						10
11	Radiator Mounting Cushion—Lower	2	336999						11
12	Radiator Mounting Nut—Lower	2	1D-05						12
13	Radiator Lower Hose	1	1303062		675094	1303062			13
14	Radiator Lower Hose Clamp	2	538335						14
15	Radiator Drain Cock	1	72F-2						15
16	Radiator Upper Hose	1	1300131			1301304			16
17	Radiator Upper Hose Clamp	2	538335						17

CORTEZ DIVISION



ENGINE ACCESSORIES

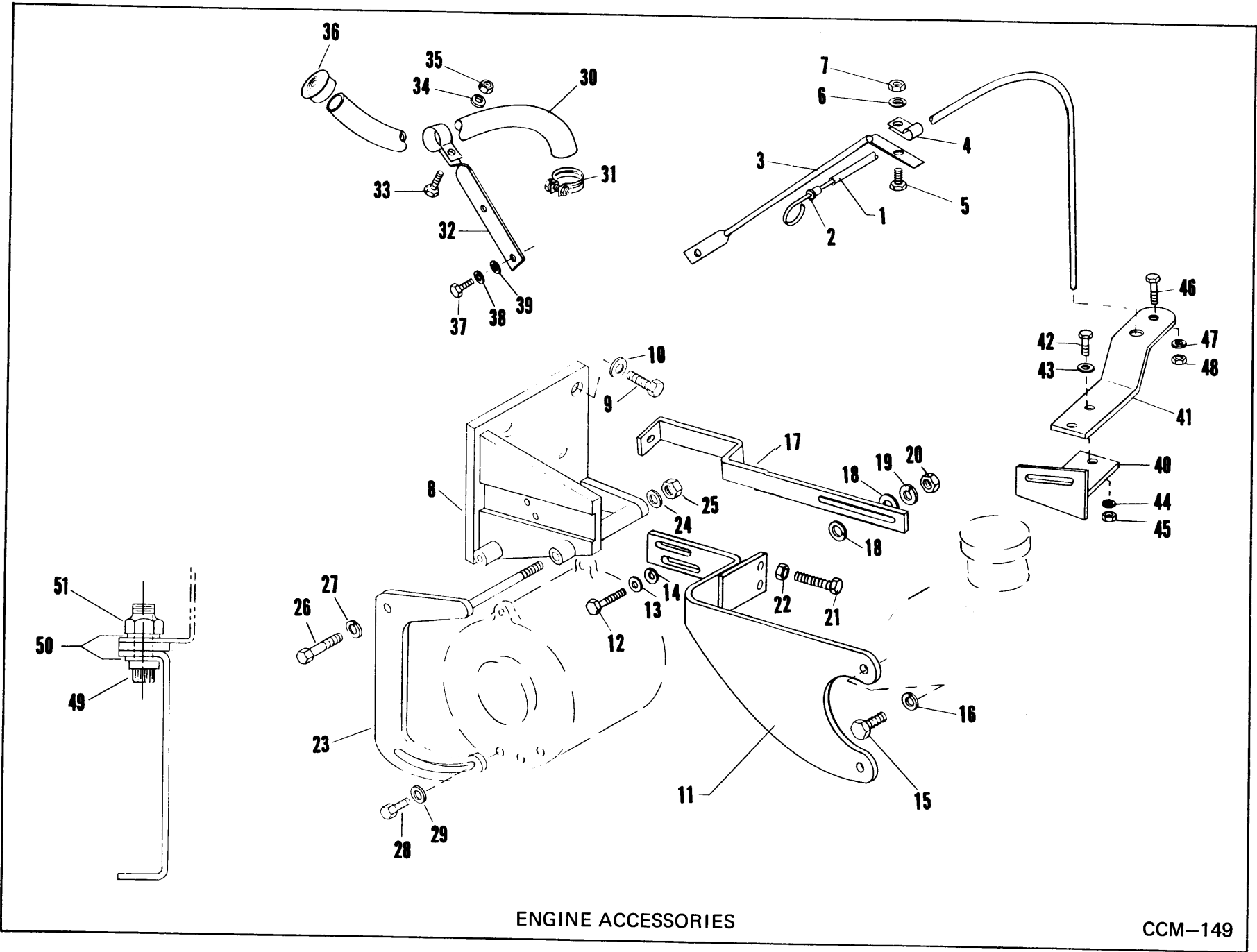
CCM-150

ITEM	ENGINE ACCESSORIES (Use Illustration CCM-150)	REQUIRED	Serial No. 1-350	Serial No. 351-400					ITEM
	DESCRIPTION								
1	Dipstick Tube	1	337001						1
2	Dipstick	1	1659547						2
3	Dipstick Strut	1	337002						3
4	Dipstick Tube Mounting Clip	1	6H-10						4
5	Dipstick Tube Mounting Clip Bolt	1	1C-410						5
6	Dipstick Tube Mounting Clip L.W.	1	4E-04						6
7	Dipstick Tube Mounting Clip Nut	1	1D-04						7
8	Accessory Mounting Bracket	1	1628302	1634362					8
9	Bracket Mounting Bolt—Short	2	1C-720	Not Used					9
	Bracket Mounting Bolt—Long	1	1C-724	Not Used					
	Bracket Mounting Bolt	3		1C-724					
10	Bracket Mounting Bolt Lockwasher	3	4E-07						10
11	Bracket, Steering Pump Mounting	1	1628307	1634372					11
12	Bracket Mounting Bolt	2	1C-612						12
13	Bracket Mounting Lockwasher	2	4E-06						13
14	Bracket Mounting Washer	2	664423						14
15	Steering Pump Mounting Bolt	2	1C-616						15
16	Steering Pump Mounting Lockwasher	2	4E-06						16
17	Steering Pump Rear Brace	1	337166	1634375					17
18	Steering Pump Rear Mounting Washer	2	664423						18
19	Steering Pump Rear Mounting L.W.	1	4E-06						19
20	Steering Pump Rear Mounting Nut	1	1D-06						20
21	Steering Pump Tension Bolt	1	13G-628						21
22	Steering Pump Tension Jam Nut	1	7D-06						22
23	Bracket, Alternator Mounting	1	1631342	1634364					23
24	Bracket Mounting Washer	1	664404						24
25	Bracket Mounting Nut	1	45D-07						25
26	Bracket Mounting Bolt	1	1C-512						26
27	Bracket Mounting Lockwasher	1	4E-05						27
28	Alternator Mounting Bolt	1	1C-616						28
29	Alternator Mounting Washer	1	664403						29
30	Oil Filler Tube Extension	1	1616202						30
31	Oil Filler Tube Clamp	1	20H-9						31
32	Oil Filler Tube Brace	1	1613209						32
33	Brace Clamping Bolt	1	1C-514						33
34	Brace Clamping Lockwasher	1	4E-05						34
35	Brace Clamping Nut	1	1D-05						35
36	Oil Filler Tube Cap	1	1616213						36
37	Brace Mounting Bolt	1	1C-612						37
38	Brace Mounting Lockwasher	1	4E-06						38
39	Brace Mounting Washer	1	664423						39

# CORTEZ DIVISION

ITEM	ENGINE ACCESSORIES (CONT'D) (Use Illustration CCM-150)	REQUIRED	Serial No. 1-350	Serial No. 351-400					ITEM
	DESCRIPTION								
40	Bolt Body Frame to Engine Frame	6	72-1028						40
41	Nut Body Frame to Engine Frame	6	45D-10						41
42	Washer Body Frame to Engine Frame	12	944143						42
43	Shim Body Frame to Engine Frame	6	1300591						43
44	Stop Alternator Adjuster (Not Shown)	1	1638349	Not Used					44
45	Boot Battery Terminal on Alternator (Not Shown)	1	521811	Not Used					45

CORTEZ DIVISION



ENGINE ACCESSORIES

CCM-149

CG-139

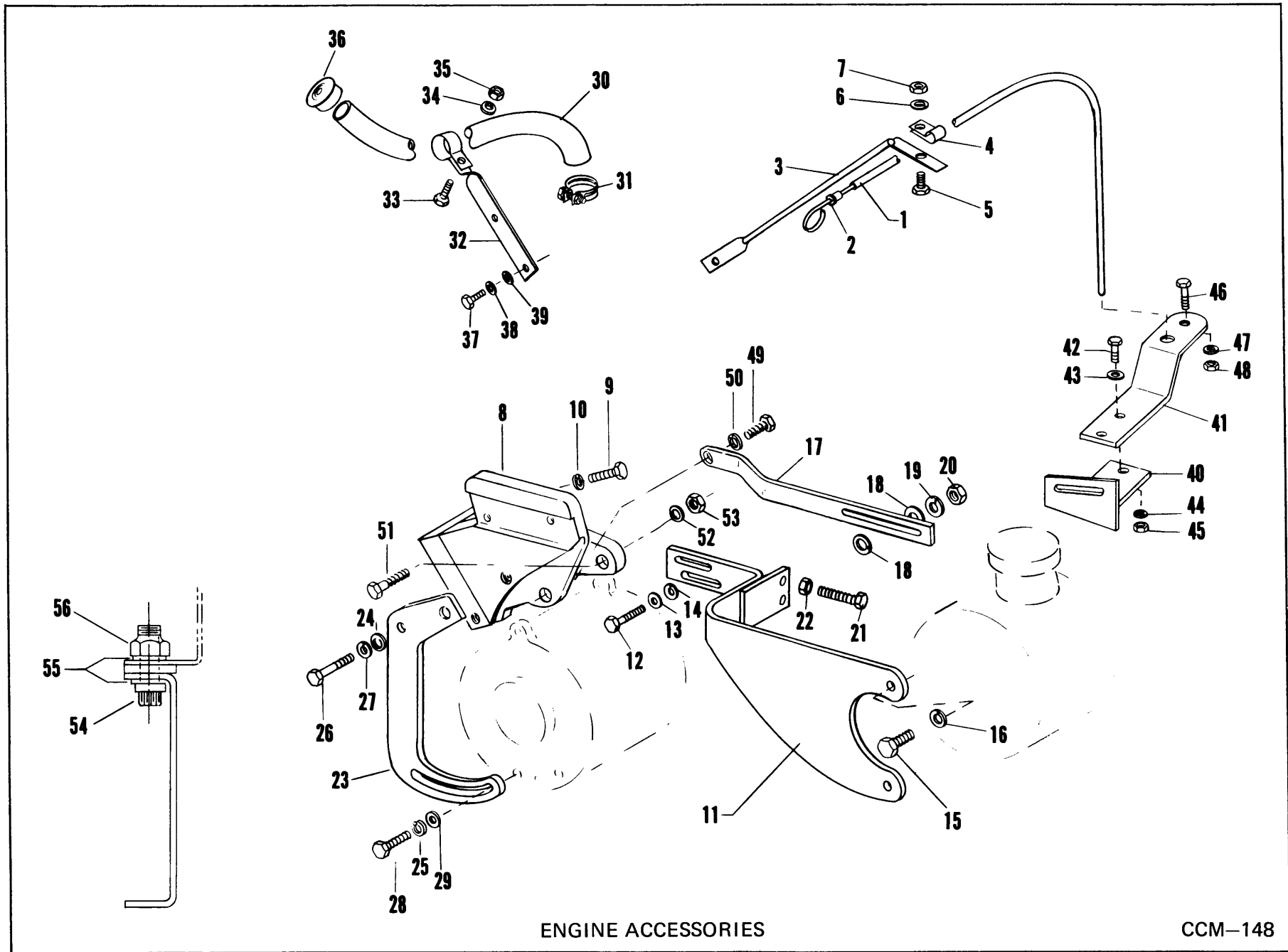
10

January 1, 1968

ITEM	ENGINE ACCESSORIES (Use Illustration CCM-149)	REQUIRED	Serial No. 401-905						ITEM
	DESCRIPTION								
1	Dipstick Tube	1	337001						1
2	Dipstick	1	1659547						2
3	Dipstick Strut	1	337002						3
4	Dipstick Tube Mounting Clip	1	6H-10						4
5	Dipstick Tube Mounting Clip Bolt	1	1C-410						5
6	Dipstick Tube Mounting Clip L.W.	1	4E-04						6
7	Dipstick Tube Mounting Clip Nut	1	1D-04						7
8	Accessory Mounting Bracket	1	1628302						8
9	Bracket Mounting Bolt—Short	2	1C-720						9
	Bracket Mounting Bolt—Long	1	1C-724						
10	Bracket Mounting Bolt Lockwasher	3	4E-07						10
11	Steering Pump Mounting Bracket	1	1628307						11
12	Bracket Mounting Bolt	2	1C-612						12
13	Bracket Mounting Lockwasher	2	4E-06						13
14	Bracket Mounting Washer	2	664423						14
15	Steering Pump Mounting Bolt	2	1C-616						15
16	Steering Pump Mounting Lockwasher	2	4E-06						16
17	Steering Pump Rear Brace	1	337166						17
18	Steering Pump Rear Mounting Washer	2	664423						18
19	Steering Pump Rear Mounting L.W.	1	4E-06						19
20	Steering Pump Rear Mounting Nut	1	1D-06						20
21	Steering Pump Tension Bolt	1	13G-628						21
22	Steering Pump Tension Jam Nut	1	7D-06						22
23	Alternator Mounting Bracket	1	1631342						23
24	Bracket Mounting Washer	1	664404						24
25	Bracket Mounting Nut	1	44D-07						25
26	Bracket Mounting Bolt	1	1C-512						26
27	Bracket Mounting Lockwasher	1	4E-05						27
28	Alternator Mounting Bolt	1	1C-616						28
29	Alternator Mounting Washer	1	664403						29
30	Oil Filler Tube Extension	1	1616202						30
31	Oil Filler Tube Clamp	1	20H-9						31
32	Oil Filler Tube Brace	1	1613209						32
33	Brace Clamping Bolt	1	1C-514						33
34	Brace Clamping Lockwasher	1	4E-05						34
35	Brace Clamping Nut	1	1D-05						35
36	Oil Filler Tube Cap	1	1616213						36
37	Brace Mounting Bolt	1	1C-612						37
38	Brace Mounting Lockwasher	1	4E-06						38
39	Brace Mounting Washer	1	664423						39



ITEM	ENGINE ACCESSORIES (CONT'D) (Use Illustration CCM-149)	REQUIRED	Serial No. 401-500	Serial No. 501-905					ITEM
	DESCRIPTION								
40	Front Half Brace Assembly	1	1644353						40
41	Rear Half Brace	1	1644929						41
42	Bolt	2	1C-616						42
43	Washer	2	664404						43
44	Lockwasher	2	4E-06						44
45	Nut	2	1D-06						45
46	Brace to Manifold Bolt	1	1C-740						46
47	Lockwasher	1	4E-07						47
48	Nut	1	1D-07						48
49	Bolt Body Frame to Engine Frame	6	726-1028						49
50	Nut Body Frame to Engine Frame	6	45D-10						50
51	Washer Body Frame to Engine Frame	12	944143						51
52	Shim Body Frame to Engine Frame	6	1300591						52
53	Stop Alternator Adjuster (Not Shown)	1	1638349	Not Used					53
54	Boot Battery Terminal on Alternator (Not Shown)	1	521811	Not Used					54
55	Carburetor Overflow Tube (Not Shown)	1	1675554						55
56	Nut Overflow Tube (Not Shown)	1	58F-2						56
57	Sleeve Overflow Tube (Not Shown)	1	57F-2						57
58	Adaptor Overflow Tube (Not Shown)	1	49F-2						58



ENGINE ACCESSORIES

CCM-148

CC-139

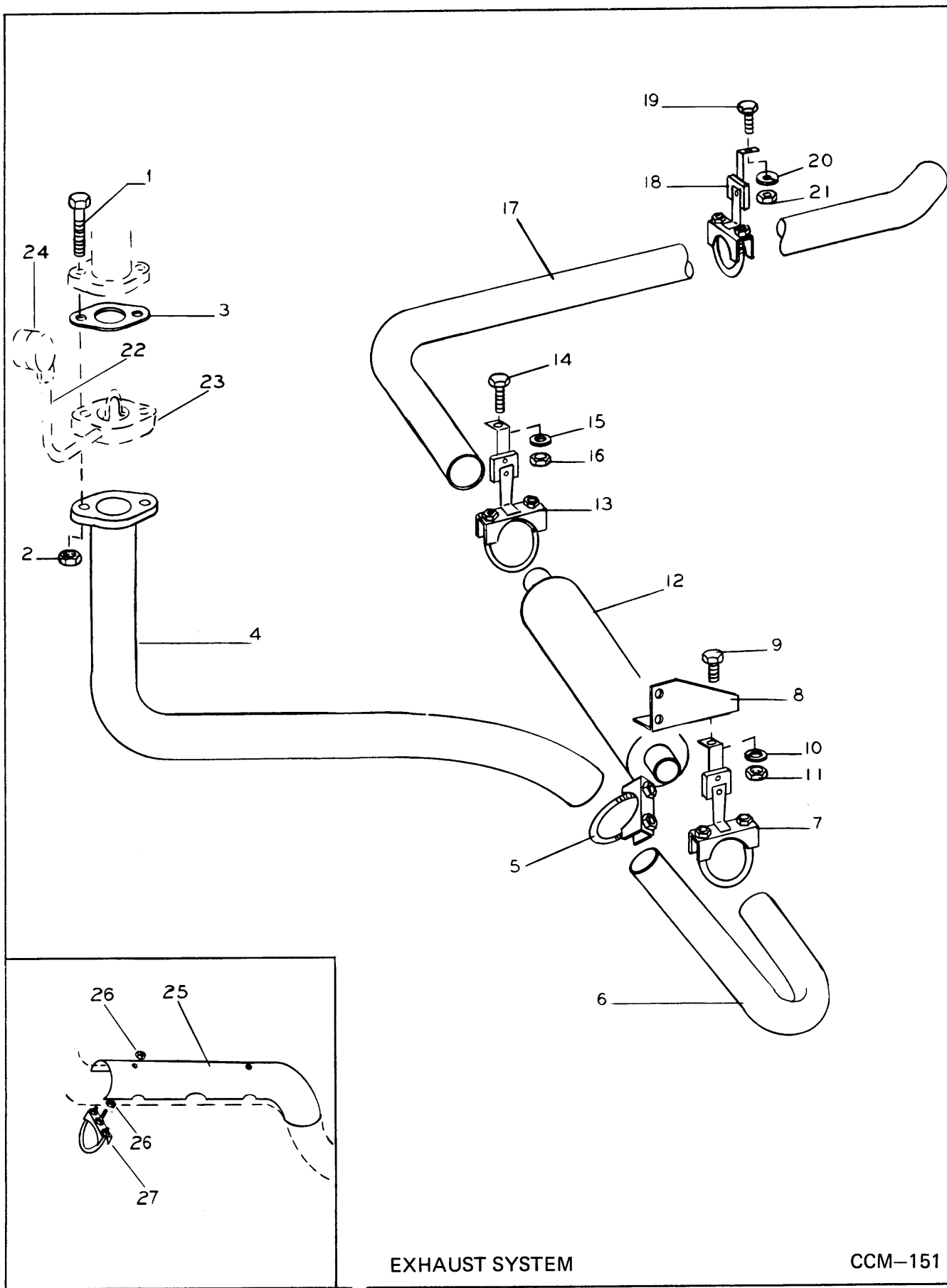
14

January 1, 1968

ITEM	ENGINE ACCESSORIES (Use Illustration CCM-148)	REQUIRED	Serial No. 906-2200						ITEM
	DESCRIPTION								
1	Dipstick Tube	1	337001						1
2	Dipstick	1	1659547						2
3	Dipstick Strut	1	337002						3
4	Dipstick Tube Mounting Clip	1	6H-10						4
5	Dipstick Tube Mounting Clip Bolt	1	1C-410						5
6	Dipstick Tube Mounting Clip L.W.	1	4E-04						6
7	Dipstick Tube Mounting Clip Nut	1	1D-04						7
8	Accessory Mounting Bracket	1	1670936						8
9	Bracket Mounting Bolt—Short	2	1C-720						9
	Bracket Mounting Bolt—Long	1	1C-724						
10	Bracket Mounting Bolt Lockwasher	3	4E-07						10
11	Steering Pump Mounting Bracket	1	1670786						11
12	Bracket Mounting Bolt	2	1C-612						12
13	Bracket Mounting Lockwasher	2	4E-06						13
14	Bracket Mounting Washer	2	664423						14
15	Steering Pump Mounting Bolt	2	1C-616						15
16	Steering Pump Mounting Lockwasher	2	4E-06						16
17	Steering Pump Rear Brace	1	1670942						17
18	Steering Pump Rear Mounting Washer	2	664423						18
19	Steering Pump Rear Mounting L.W.	1	4E-06						19
20	Steering Pump Rear Mounting Nut	1	1D-06						20
21	Steering Pump Tension Bolt	1	13G-628						21
22	Steering Pump Tension Jam Nut	1	7D-06						22
23	Alternator Mounting Bracket	1	1670862						23
24	Bracket Mounting Spacer	1	1671999						24
25	Alternator Mounting Lockwasher	1	4E-05						25
26	Bracket Mounting Bolt	2	1C-622						26
27	Bracket Mounting Lockwasher	2	4E-06						27
28	Alternator Mounting Bolt	1	1C-516						28
29	Alternator Mounting Washer	1	664422						29
30	Oil Filler Tube Extension	1	1616202						30
31	Oil Filler Tube Clamp	1	20H-9						31
32	Oil Filler Tube Brace	1	1613209						32
33	Brace Clamping Bolt	1	1C-514						33
34	Brace Clamping Lockwasher	1	4E-05						34
35	Brace Clamping Nut	1	1D-05						35
36	Oil Filler Tube Cap	1	1616213						36
37	Brace Mounting Bolt	1	1C-612						37
38	Brace Mounting Lockwasher	1	4E-06						38
39	Brace Mounting Washer	1	664423						39

ITEM	ENGINE ACCESSORIES (CONT'D) (Use Illustration CCM-148)	REQUIRED	Serial No. 906-2200						ITEM
	DESCRIPTION								
40	Front Half Brace Assembly	1	1644353						40
41	Rear Half Brace	1	1644929						41
42	Bolt	2	1C-616						42
43	Washer	2	664404						43
44	Lockwasher	2	4E-06						44
45	Nut	2	1D-06						45
46	Brace to Manifold Bolt	1	1C-740						46
47	Lockwasher	1	4E-07						47
48	Nut	1	1D-07						48
49	Bolt	1	1C-824						49
50	Lockwasher	1	4E-08						50
51	Bolt	1	1C-836						51
52	Lockwasher	1	4E-08						52
53	Nut	1	44D-08						53
54	Bolt Body Frame to Engine Frame	6	726-1028						54
55	Nut Body Frame to Engine Frame	6	45D-10						55
56	Washer Body Frame to Engine Frame	12	944143						56
57	Shim Body Frame to Engine Frame	6	1300591						57

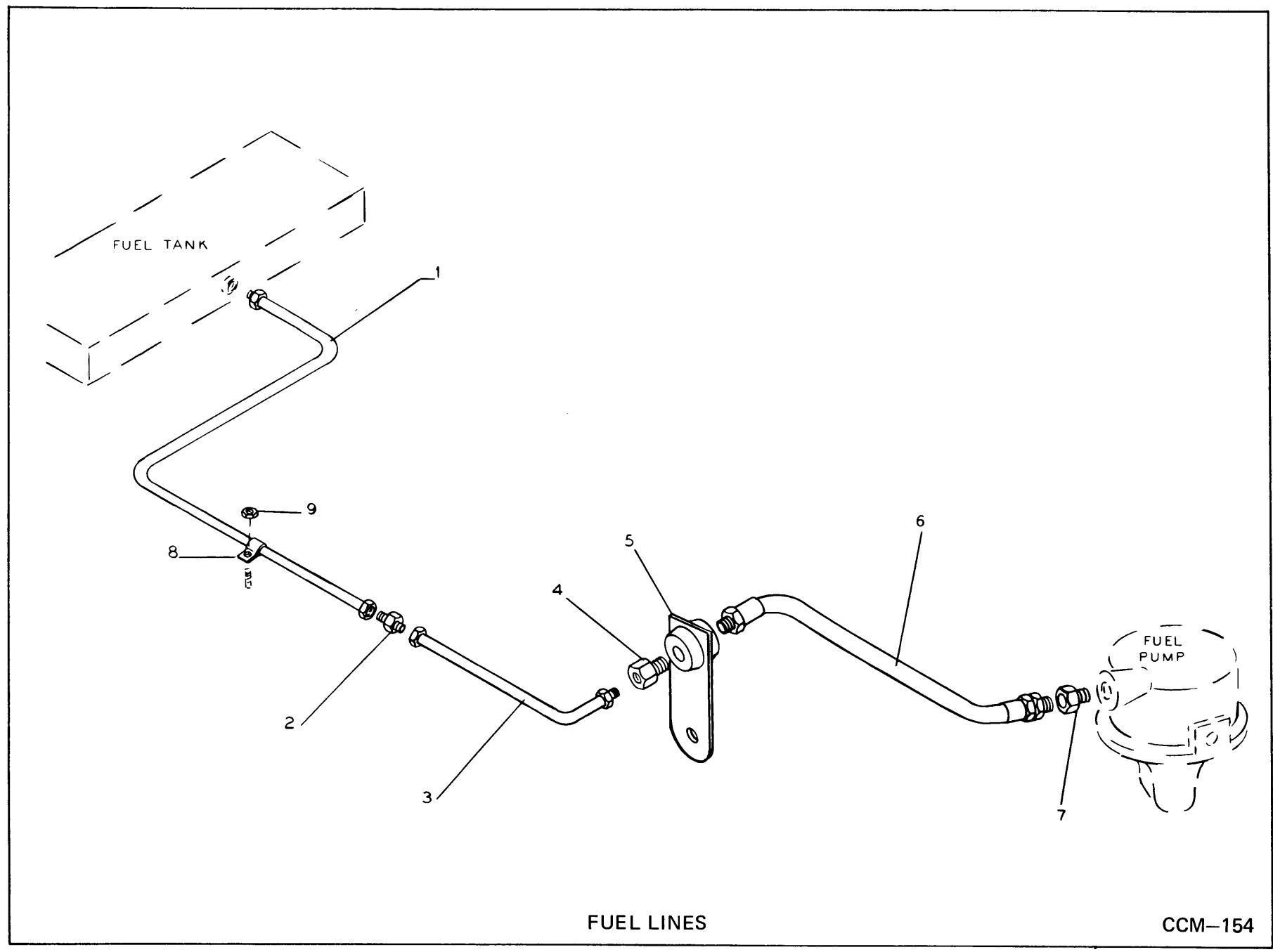
# CORTEZ DIVISION



EXHAUST SYSTEM

CCM-151

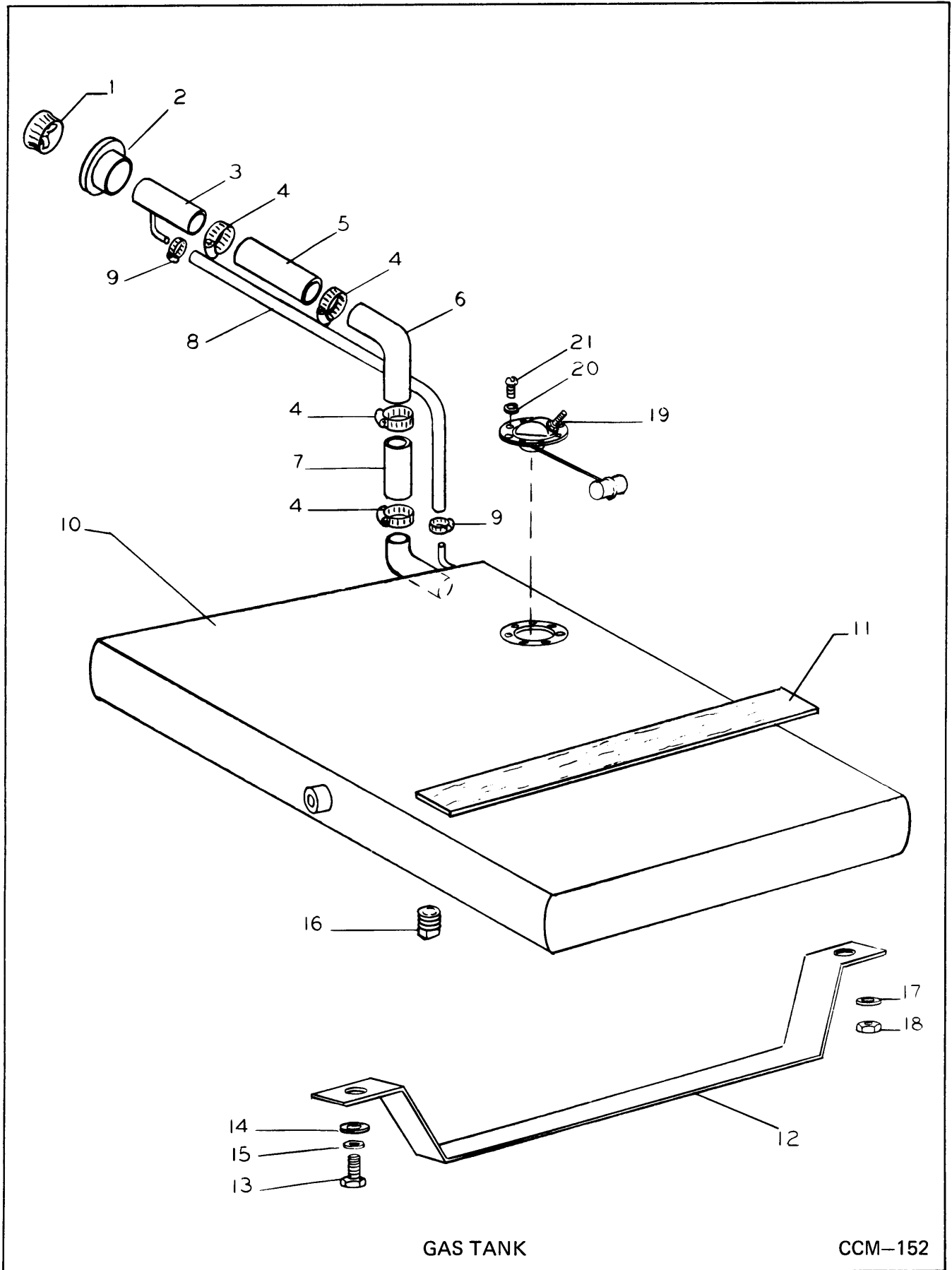
ITEM	EXHAUST SYSTEM (Use Illustration CCM-151)	REQUIRED	Serial No. 1 500	Serial No. 501-905	Serial No. 905-2200				ITEM
	DESCRIPTION								
1	Bolt	2	1C-736						1
2	Nut	2	1D-07						2
3	Gasket	1	734520						3
4	Exhaust Pipe	1	336959						4
5	Clamp	1	656597						5
6	Exhaust Pipe Extension	1	1620314						6
7	Front Muffler Support	1	337176						7
8	Bracket, Muffler Support to Trans.	1	336961						8
9	Bolt	1	1C-512						9
10	Lockwasher	1	4E-05						10
11	Nut	1	1D-05						11
12	Muffler	1	336958						12
13	Rear Muffler Support	1	336965						13
14	Bolt	1	1C-512	14G-1508					14
15	Lockwasher	1	4E-05	Not Used					15
16	Nut	1	1D-05	Not Used					16
17	Tail Pipe	1	337092						17
18	Tail Pipe Support	1	336969						18
19	Bolt	1	1C-512						19
20	Lockwasher	1	4E-05						20
21	Nut	1	1D-05						21
22	Tube	1	897122						22
23	Flange	1	897123						23
24	Automatic Choke	1	897121						24
25	Exhaust Pipe Shield	1	1662533						25
26	Nut	4	1D-05						26
27	Bracket, Exhaust Shield Mounting	3	1673717						27
28	Stud (Not Shown)	3	616716						28
29	Nut (Not Shown)	3	1D-05						29
30	Washer (Not Shown)	3	4E-05						30
31	Shield, Tail Pipe (Not Shown)	2	1678223			Not Used			31
32	Screw (Not Shown)	10	1309876			Not Used			32



ITEM	FUEL LINES (Use Illustration CCM-154)	REQUIRED	Serial No. 1-300	Serial No. 301-350	Serial No. 351-500	Serial No. 501-2200	ITEM
	DESCRIPTION						
1	Tank to Pump Tube Assembly—Rear	1	337037	1699376		337037	1
2	Union	1	61F-3				2
3	Tank to Pump Tube Assembly—Front	1	337038				3
4	Connector	1	59F-3				4
5	Adaptor	1	601166				5
6	Tank to Pump Hose	1	1303046		1305212		6
7	Connector	1	59F-3				7
8	Fuel Line Clip	AR	5H-2				8
9	Nut	AR			1D-04		9



# CORTEZ DIVISION



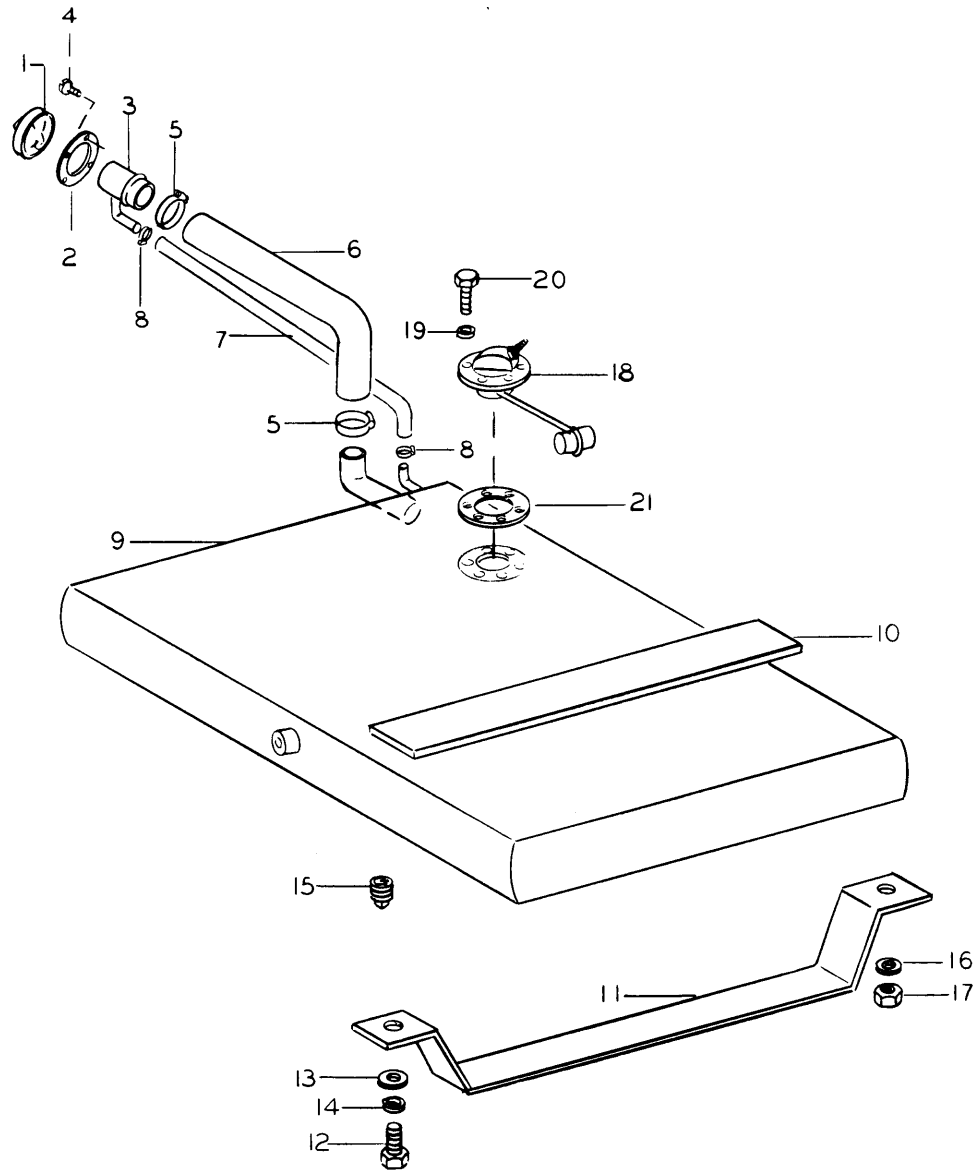
GAS TANK

CCM-152

ITEM	GAS TANK (Use Illustration CCM-152)	REQUIRED	Serial No.	Serial No.	Serial No.				ITEM
	DESCRIPTION		1-300	301-350	351-500				
1	Cap	1	510530		335585				1
2	Grommet	1	337076						2
3	Tube Assembly	1	1612568						3
4	Hose Clamp	4	4H-42						4
5	Hose—13"	1	1303123						5
6	Tube Elbow	1	1620311						6
7	Hose—7"	1	1303123						7
8	Vent Hose—32-1/4"	1	672221						8
9	Hose Clamp	2	18H-2						9
10	Gas Tank	1	337020	1634412	1699302				10
11	Insulator—27"	2	659682						11
12	Strap	2	337053	1699373					12
13	Bolt	2	1C-616						13
14	Washer	2	664423						14
15	Lockwasher	2	4E-06						15
16	Drain Plug	1	774563						16
17	Washer	4	664423						17
18	Nut	4	7D-06						18
19	Gas Gauge Sending Unit	1	337041	1634147					19
20	Lockwasher	5	15E-10						20
21	Screw	5	2G-1008						21

CORTEZ DIVISION

# CORTEZ DIVISION



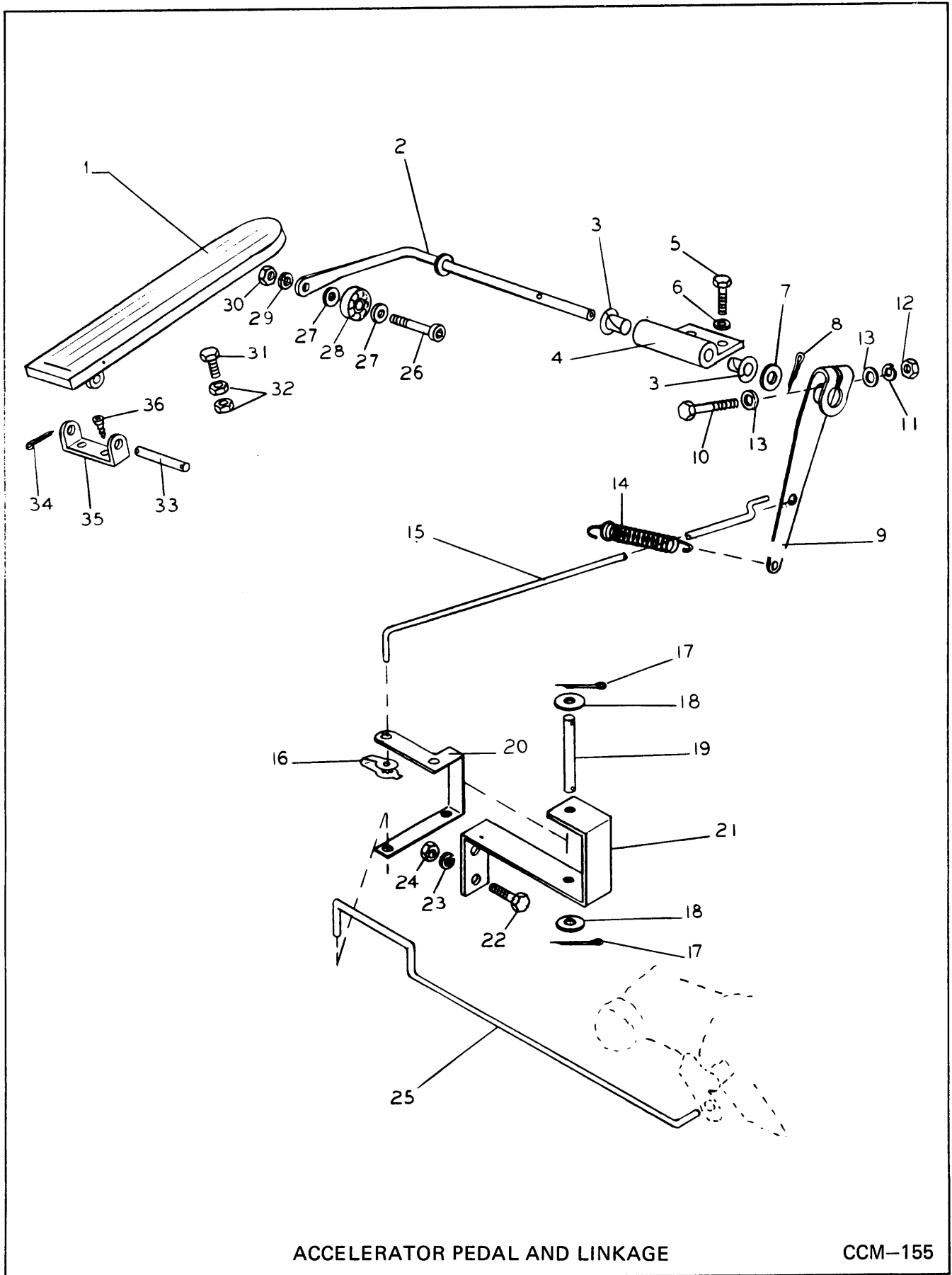
GAS TANK

CCM-153

ITEM	GAS TANK (Use Illustration CCM-153)	REQUIRED	Serial No. 501-2200						ITEM
	DESCRIPTION								
1	Gas Cap	1	1649383						1
2	Gasket	1	1644358						2
3	Fuel Filler Tube End Assembly	1	1649397						3
4	Screw	4	58G-808						4
5	Hose Clamp	2	4H-42						5
6	Fuel Tank Filler Hose	1	1649382						6
7	Vent Hose	1	672221						7
8	Vent Hose Clamp	2	18H-2						8
9	Gas Tank	1	1699302						9
10	Insulator—82"	1	659682						10
11	Strap	2	1699373						11
12	Bolt	2	1C-616						12
13	Washer	2	664423						13
14	Lockwasher	2	4E-06						14
15	Drain Plug	1	774563						15
16	Washer	4	664423						16
17	Nut	4	7D-06						17
18	Gas Gauge Sending Unit	1	1634147						18
19	Lockwasher	5	15E-10						19
20	Screw	5	2G-1008						20
21	Sending Unit Gasket	1	1673625						21

CORTEZ DIVISION

# CORTEZ DIVISION

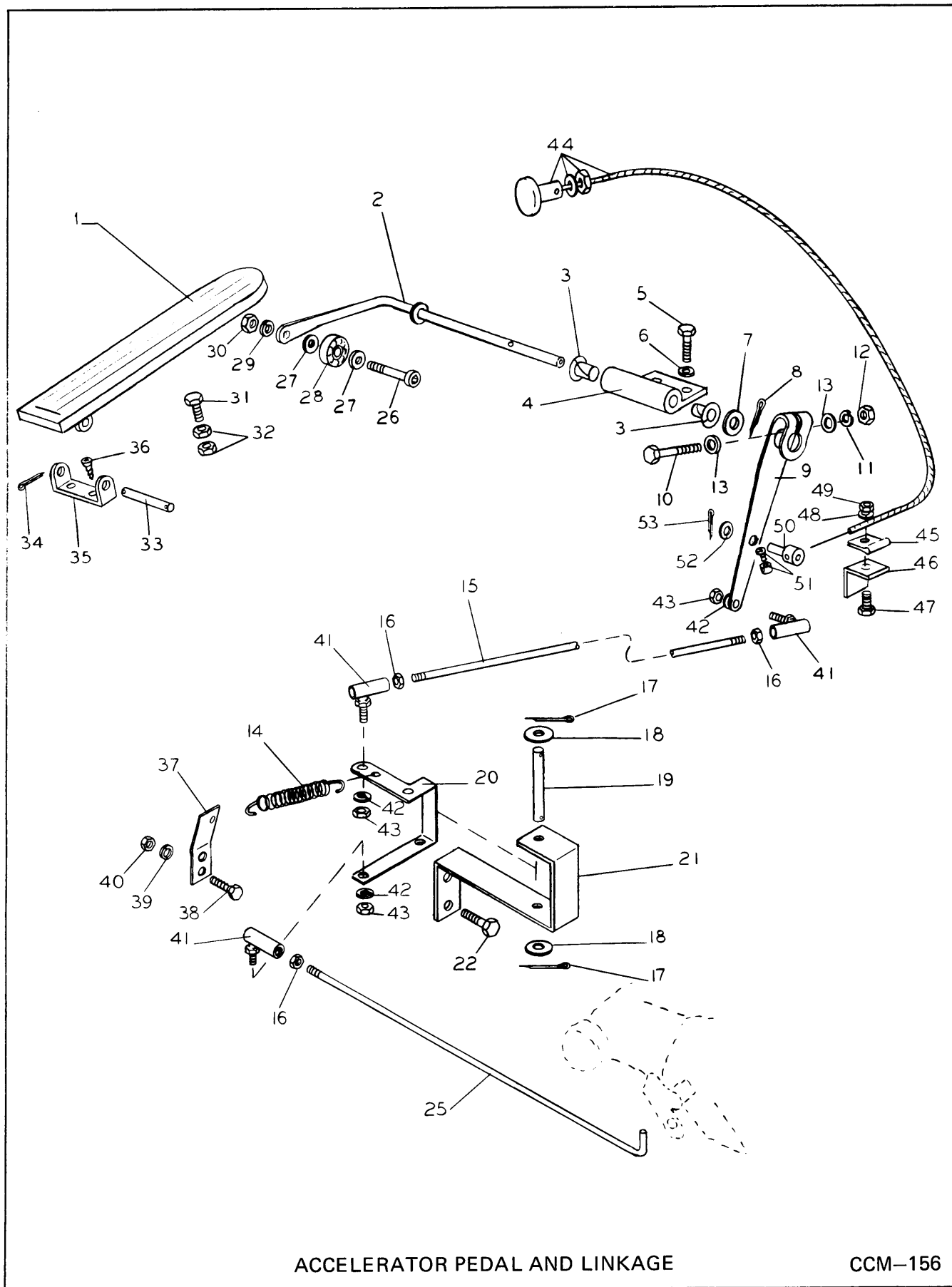


ACCELERATOR PEDAL AND LINKAGE

CCM-155

ITEM	ACCELERATOR LINKAGE (Use Illustration CCM-155)	REQUIRED	Serial No. 1-100						ITEM
	DESCRIPTION								
1	Pad	1	337088						1
2	Cross Shaft	1	336876						2
3	Nyliner	2	1300213						3
4	Cross Shaft Support	1	337081						4
5	Screw	2	58G-1006						5
6	Lockwasher	2	17E-10						6
7	Washer	1	664423						7
8	Cotter	1	1F-410						8
9	Control Arm	1	336883						9
10	Bolt	1	1C-422						10
11	Lockwasher	1	4E-04						11
12	Nut	1	1D-04						12
13	Washer	2	664421						13
14	Spring	1	610680						14
15	Rod	1	336878						15
16	Clip	3	336880						16
17	Cotter	2	1F-208						17
18	Washer	2	664421						18
19	Pin	1	301188						19
20	Bellcrank	1	336882						20
21	Bracket	1	336884						21
22	Bolt	2	1C-410						22
23	Lockwasher	2	4E-04						23
24	Nut	2	1D-04						24
25	Rod	1	336877						25
26	Shoulder Bolt	1	663957						26
27	Washer	2	619023						27
28	Bearing	1	663956						28
29	Lockwasher	1	4E-05						29
30	Nut	1	7D-05						30
31	Bolt	1	1C-628						31
32	Nut	2	1D-06						32
33	Pin	1	604279						33
34	Cotter	2	1F-208						34
35	Bracket	1	1698637						35
36	Screw	2	COMM.						36

# CORTEZ DIVISION



ACCELERATOR PEDAL AND LINKAGE

CCM-156

ITEM	ACCELERATOR LINKAGE (CONT'D) (Use Illustration CCM-156)	REQUIRED	Serial No.	Serial No.	Serial No.				ITEM
	DESCRIPTION		101-350	351-905	906-2200				
1	Pad	1	337088	320166					1
2	Cross Shaft	1	1623878						2
3	Nyliner	2	1300213						3
4	Cross Shaft Support	1	1623863						4
5	Screw	2	58G-1006						5
6	Lockwasher	2	17E-10						6
7	Washer	1	664423						7
8	Cotter	1	1F-410						8
9	Control Arm	1	336883		1623876				9
10	Bolt	1	1C-422						10
11	Lockwasher	1	4E-04						11
12	Nut	1	1D-04						12
13	Washer	2	664421						13
14	Spring	1	610680						14
15	Rod	1	1623864						15
16	Jam Nut	3	14D-10						16
17	Cotter	2	1F-208						17
18	Washer	2	664421						18
19	Pin	1	301188						19
20	Bellcrank	1	336882		1623877				20
21	Bracket	1	336884						21
22	Bolt	2	61G-412						22
25	Rod	1	1623875						25
26	Shoulder Bolt	1	663957						26
27	Washer	2	619023						27
28	Bearing	1	663956						28
29	Lockwasher	1	4E-05						29
30	Nut	1	7D-05						30
31	Bolt	1	1C-628						31
32	Nut	2	1D-06						32
33	Pin	1	604279						33
34	Cotter	2	1F-208						34
35	Bracket	1	1698637						35
36	Screw	2	COMM.						36
37	Return Spring Anchor	1	1634036						37
38	Anchor Bolt	2	1C-412						38
39	Anchor Lockwasher	2	4E-04						39
40	Anchor Nut	2	1D-04						40

CORTEZ DIVISION



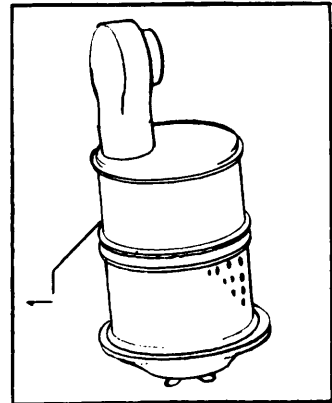
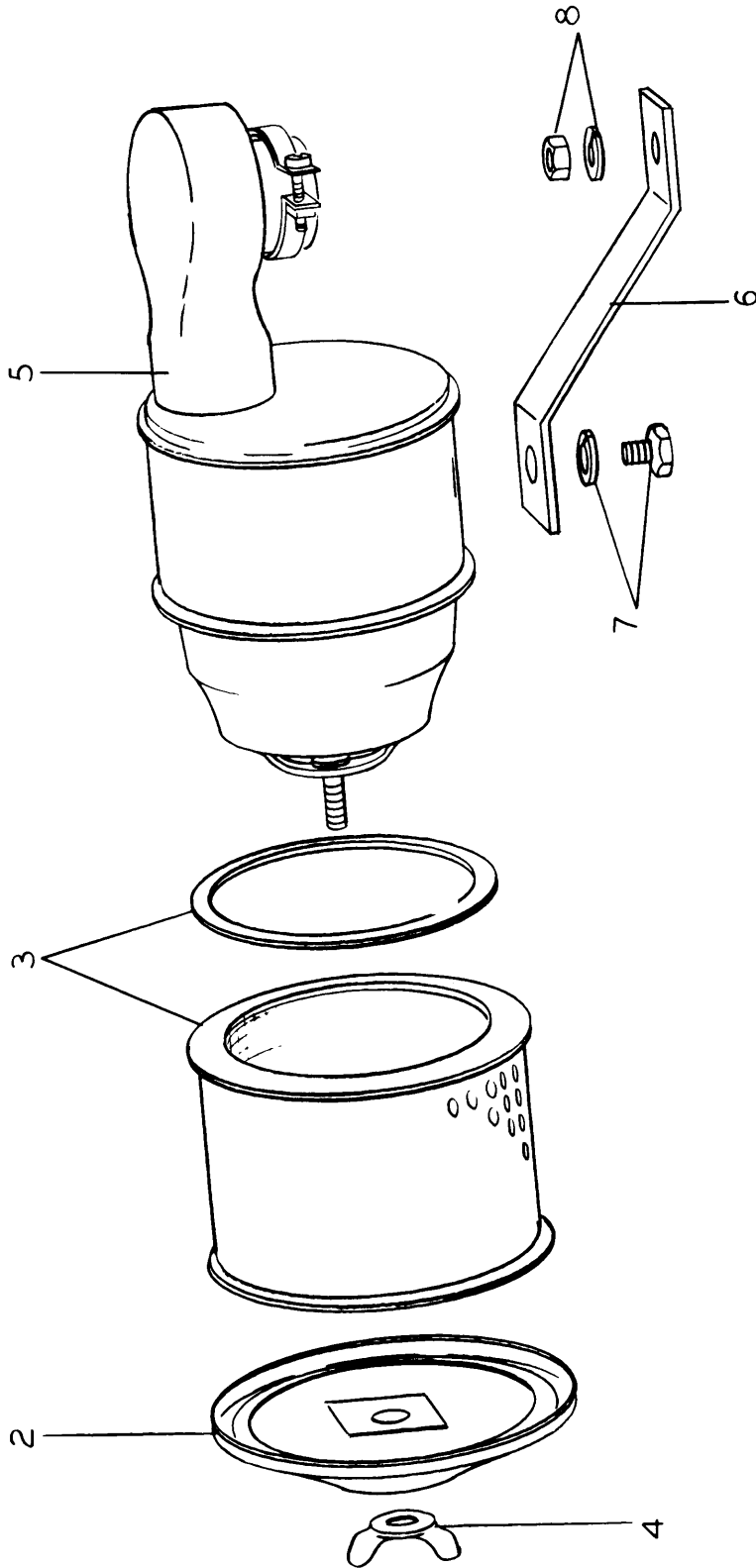
ITEM	ACCELERATOR LINKAGE (CONT'D) (Use Illustration CCM-156)	REQUIRED	Serial No.	Serial No.					ITEM
	DESCRIPTION		1-905	906-2200					
41	Linkage Ball Joint	3	1301359						41
42	Linkage Ball Joint Lockwasher	3	17E-10						42
43	Linkage Ball Joint Nut	3	14D-10						43
44	Throttle Cable	1	1629101	1638343					44
45	Cable Clip	1	6H-1						45
46	Cable Clip Angle	1	624532						46
47	Cable Clip Bolt	1	2C-508						47
48	Cable Clip Lockwasher	1	4E-05						48
49	Cable Clip Nut	1	2D-05						49
50	Swivel	1	351131						50
51	Stop Nut	1	1630614						51
52	Washer	1	743130						52
53	Cotter	1	1F-308						53

CORTEZ DIVISION

# CORTEZ DIVISION

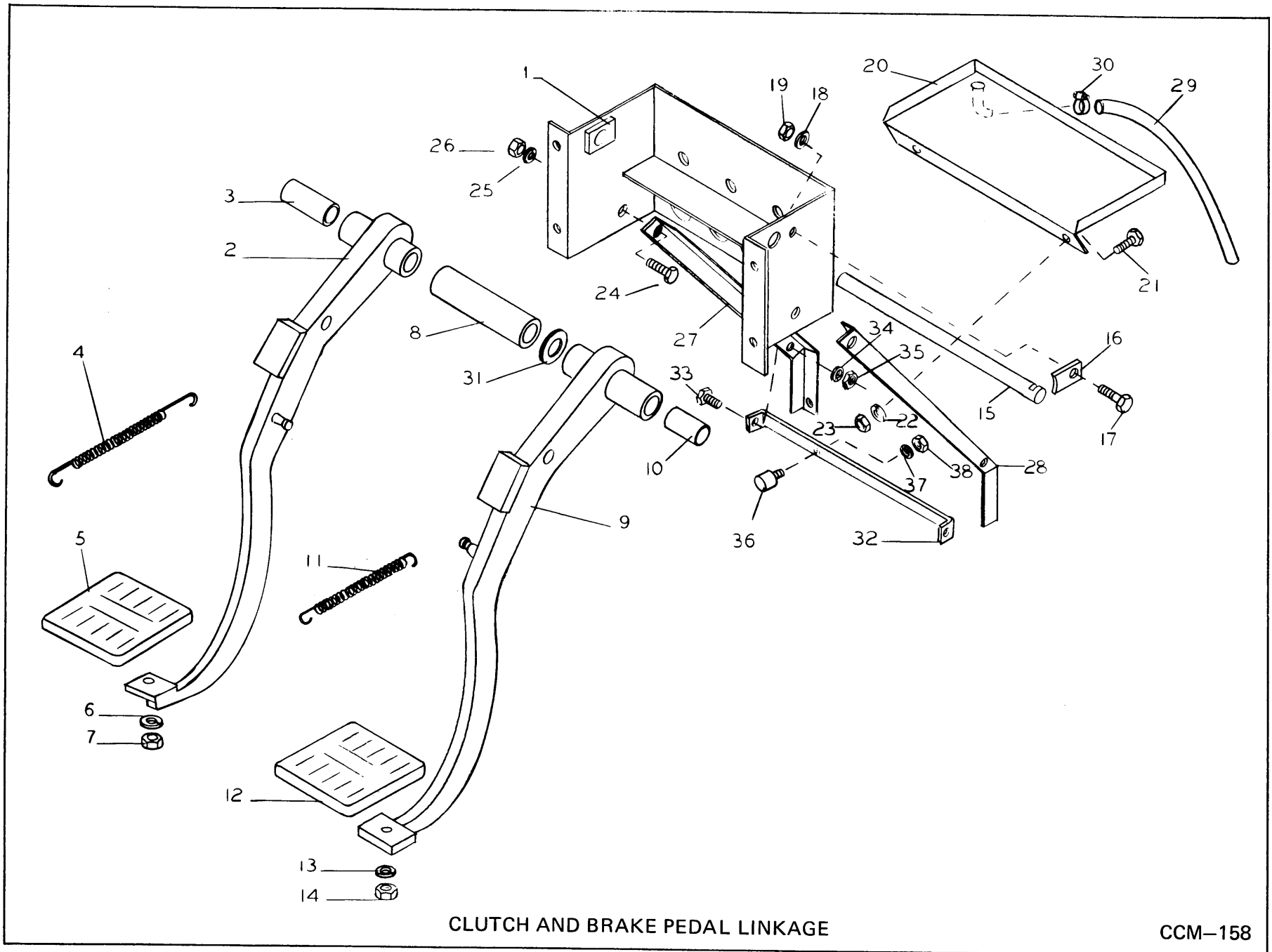
CCM-157

AIR CLEANER



CORTEZ DIVISION

ITEM	AIR CLEANER (Use Illustration CCM-152)	REQUIRED	Serial No. 1-2200						ITEM
	DESCRIPTION								
1	Engine Air Cleaner Assembly	1	1616329						1
2	Air Cleaner Cover Assembly	1	891804						2
3	Element and Gasket	1	889289						3
4	Cover Wing Nut	1	22D-10R						4
5	Body (Ref: Item 1)		N.S.S.						5
6	Bracket, Carburetor Mounting	1	337049						6
7	Carburetor to Bracket Bolt	1	1C-408						7
	Carburetor to Bracket Lockwasher	1	4E-04						
8	Bracket Attaching Lockwasher	1	4E-05						8
	Bracket Attaching Nut	1	1D-05						



CLUTCH AND BRAKE PEDAL LINKAGE

CCM-158

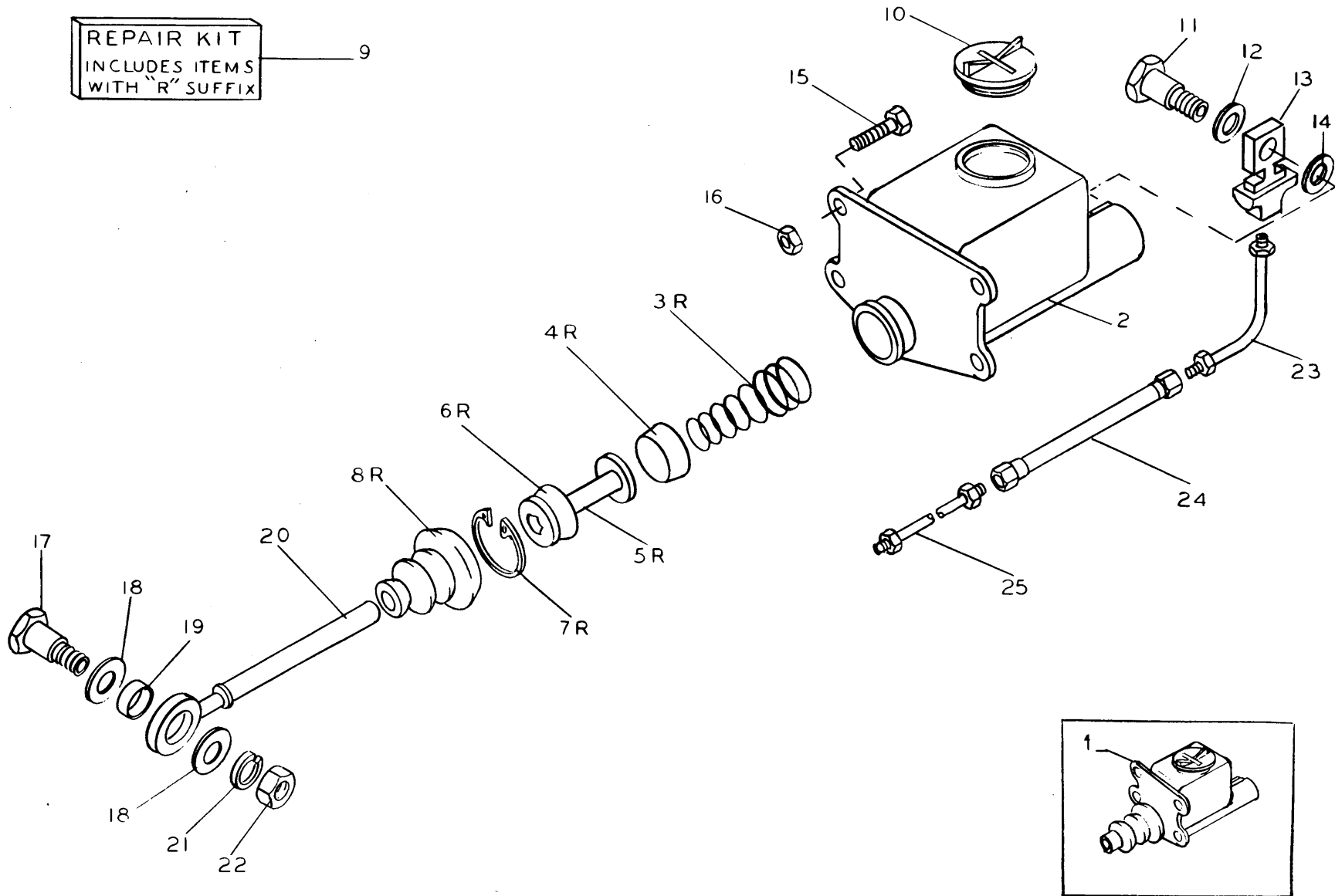
CC-139

34

January 1, 1968

ITEM	CLUTCH AND BRAKE PEDAL AND LINKAGE (Use Illustration CCM-158)	REQUIRED	Serial No.	Serial No.	Serial No.				ITEM
	DESCRIPTION		1-100	101-905	906-2200				
1	Bracket, Clutch & Brake Pedal Mtg.	1	336890						1
2	Clutch Pedal Assembly (Incl. Item 3)	1	336886	1628315					2
3	Clutch Pedal Bushing	1	663504						3
4	Clutch Pedal Return Spring	1	336972		1680220				4
5	Clutch Pedal Pad	1	623828						5
6	Clutch Pedal Pad Lockwasher	1	4E-06						6
7	Clutch Pedal Pad Nut	1	1D-06						7
8	Clutch & Brake Pedal Spacer	1	1303793		Not Used				8
9	Brake Pedal Assem. (Incl. Item 10)	1	336887	1628314					9
10	Brake Pedal Bushing	1	663504						10
11	Brake Pedal Return Spring	1	336972		1680220				11
12	Brake Pedal Pad	1	623828						12
13	Brake Pedal Pad Lockwasher	1	4E-06						13
14	Brake Pedal Pad Nut	1	1D-06						14
15	Clutch & Brake Pedal Shaft	1	1302505						15
16	Shaft Retainer	1	1302503						16
17	Shaft Retainer Bolt	1	1C-416						17
18	Shaft Retainer Lockwasher	1	4E-04						18
19	Shaft Retainer Nut	1	1D-04						19
20	Drip Pan	1	337187						20
21	Drip Pan Bolt	2	1C-408						21
22	Drip Pan Lockwasher	2	4E-04						22
23	Drip Pan Nut	2	1D-04						23
24	Support Mounting Bolt	12	1C-614	1C-616	1C-614				24
25	Support Mounting Lockwasher	12	4E-06						25
26	Support Mounting Nut	12	1D-06						26
27	Bracket Support—L.H.	1	336921						27
28	Bracket Support—R.H.	1	336920						28
29	Drip Pan Hose—34"	1	672221						29
30	Drip Pan Hose Clamp	1	18H-2						30
31	Pedal Shaft Shim	AR	712876						31
32	Bracket, Clutch Pedal Bumper	1		1628332					32
33	Bumper Bracket Bolt	2		1C-412					33
34	Bumper Bracket Lockwasher	2		4E-04					34
35	Bumper Bracket Nut	2		1D-04					35
36	Clutch Pedal Bumper	1		317794					36
37	Clutch Pedal Bumper Lockwasher	1		4E-05					37
38	Clutch Pedal Bumper Nut	1		1D-05					38

REPAIR KIT  
INCLUDES ITEMS  
WITH "R" SUFFIX



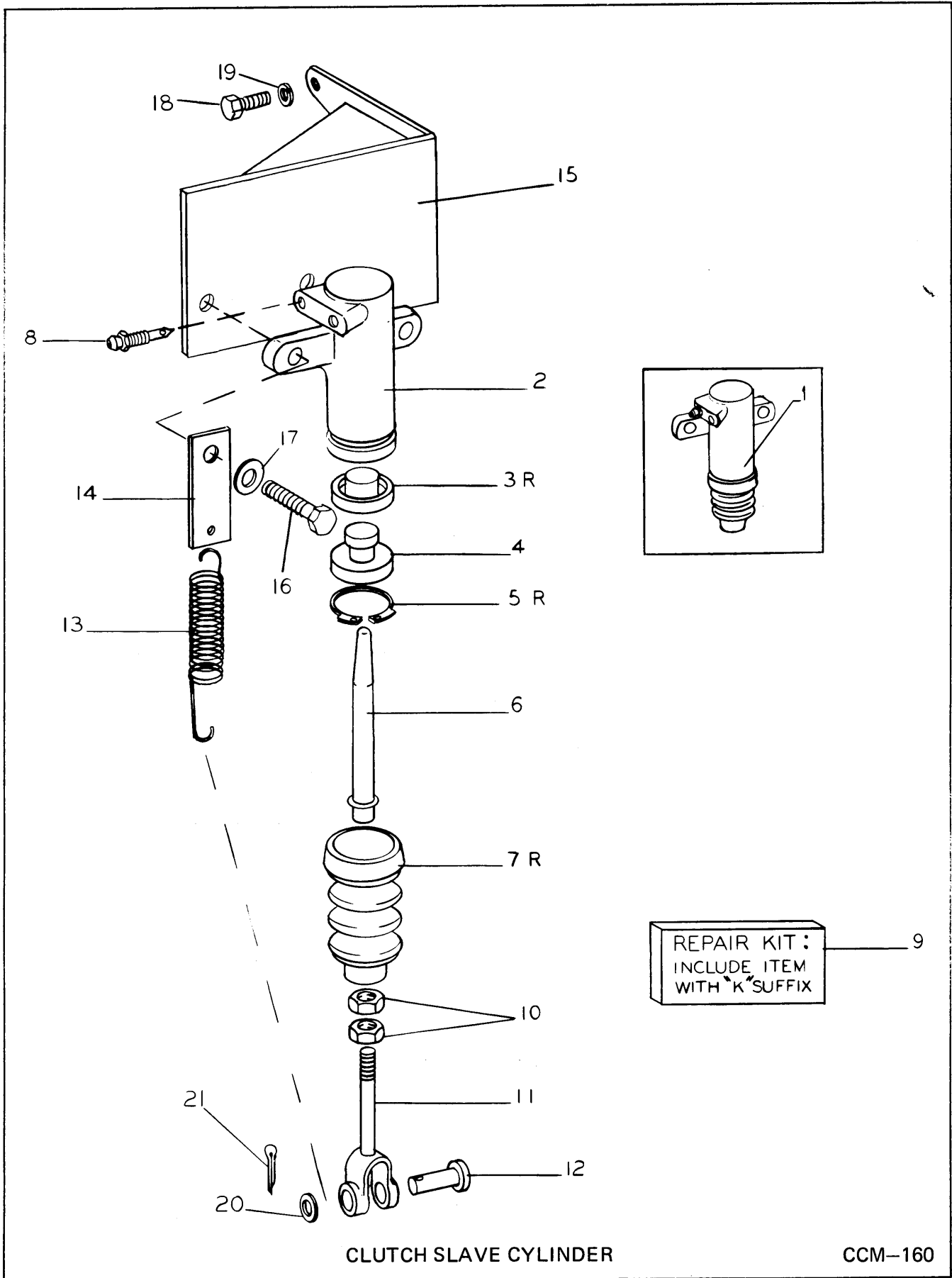
CLUTCH MASTER CYLINDER

CCM-159

# CORTEZ DIVISION

ITEM	CLUTCH MASTER CYLINDER AND LINES (Use Illustration CCM-159)	REQUIRED	Serial No.	Serial No.					ITEM
	DESCRIPTION		1-905	906-2200					
1	Clutch Master Cylinder Assembly	1	336967						1
2	Clutch Master Cylinder Assembly Body	1	N.S.S.						2
3	Piston Return Spring (Ref: Item 9)	1	N.S.S.						3
4	Piston Primary Cup (Ref: Item 9)	1	N.S.S.						4
5	Piston (Ref: Item 9)	1	N.S.S.						5
6	Piston Secondary Cup (Ref: Item 9)	1	N.S.S.						6
7	Snap Ring (Ref: Item 9)	1	N.S.S.						7
8	Boot	1	891976						8
9	Clutch Master Cylinder Repair Kit	1	891977						9
10	Filler Cap	1	891978						10
11	Fitting Bolt	1	336973						11
12	Gasket	1	830221						12
13	Fitting	1	336968						13
14	Gasket	1	830221						14
15	Master Cylinder Mounting Bolt	4	1C-614						15
16	Master Cylinder Mounting L.W.	4	1D-06						16
17	Shoulder Bolt	1	316687						17
18	Shoulder Bolt Washer	2	620238						18
19	Push Rod Thrust Bushing	1	1616289						19
20	Push Rod	1	1616215	1630609					20
21	Lockwasher	1	4E-06						21
22	Nut	1	8D-06						22
23	Tube	1	336974						23
24	Hose	1	336976						24
25	Tube	1	1620333						25

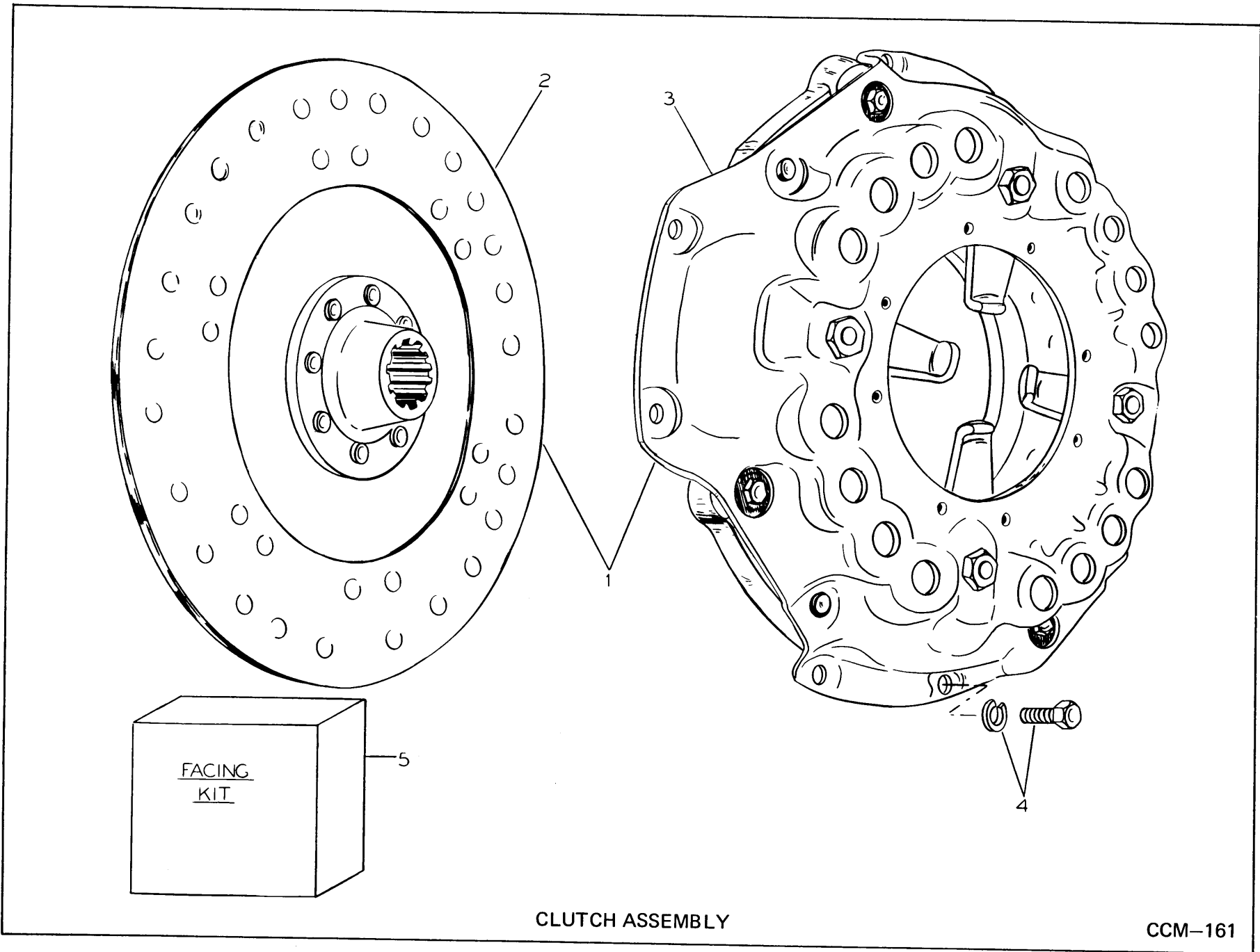
# CORTEZ DIVISION





ITEM	CLUTCH SLAVE CYLINDER ASSEMBLY (Use Illustration CCM-160)	REQUIRED	Serial No. 1-100	Serial No. 101-350	Serial No. 351-905	Serial No. 906-2200			ITEM
	DESCRIPTION								
1	Clutch Slave Cylinder Assembly	1	336993						1
2	Cylinder Body (Ref: Item 1)	1	N.S.S.						2
3	Piston Cup (Ref: Item 9)	1	N.S.S.						3
4	Cylinder Piston (Ref: Item 1)	1	N.S.S.						4
5	Snap Ring (Ref: Item 9)	1	N.S.S.						5
6	Cylinder Push Rod	1	891979						6
7	Cylinder Boot	1	891980						7
8	Bleeder Screw	1	851806						8
9	Cylinder Repair Kit (Includes Items 3, 5 and 6)	1	891981						9
10	Clevis Jam Nut	2	8D-06						10
11	Cylinder to Clutch Arm Clevis	1	617998	1630609		617998			11
12	Clevis Pin	1	4F-06106	663350					12
13	Return Spring	1	336991			1680104			13
14	Return Spring Strap	1	1303397	1305163					14
15	Bracket, Clutch Slave Cylinder Mounting	1	1616364	1628311					15
16	Slave Cylinder Attaching Bolt—Long	1	1C-622	1C-620	2C-620				16
	Slave Cylinder Attaching Bolt—Short	1	1C-622	1C-618	2C-618				
17	Slave Cylinder Attaching Washer	2	664423	4E-06					17
18	Slave Cylinder Bracket Bolt	2	1C-828						18
19	Slave Cylinder Bracket Bolt L.W.	2	4E-08						19
20	Clevis Pin Washer	1	664423						20
21	Clevis Pin Cotter	1	1F-316						21

CORTEZ DIVISION



CLUTCH ASSEMBLY

CCM-161

# CORTEZ DIVISION

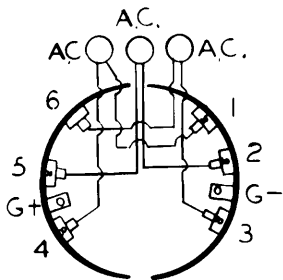
ITEM	CLUTCH ASSEMBLY (Use Illustration CCM-161)	REQUIRED	Serial No. 1-100	Serial No. 101-2200					ITEM
	DESCRIPTION								
1	Clutch Assembly	1	1303269	1305401					1
2	Clutch Disc	1	891817						2
3	Clutch Cover Assembly	1	891816	892255					3
4	Clutch Cover Bolt	6	1C-616						4
	Clutch Cover Lockwasher	6	4E-06						
5	Clutch Facing Kit	1	893059						5

CC-139

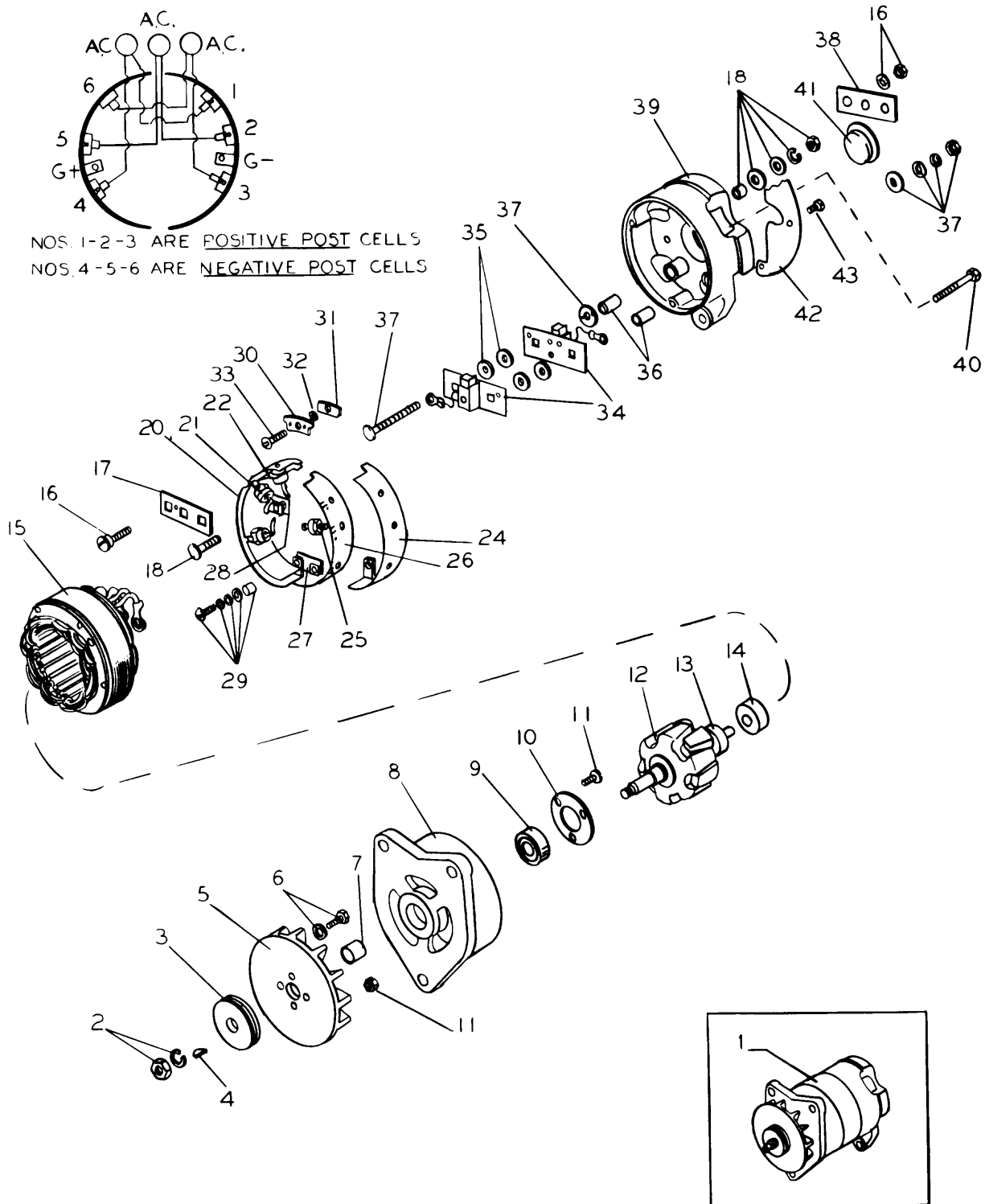
41

January 1, 1968

# CORTEZ DIVISION



NOS. 1-2-3 ARE POSITIVE POST CELLS  
NOS. 4-5-6 ARE NEGATIVE POST CELLS



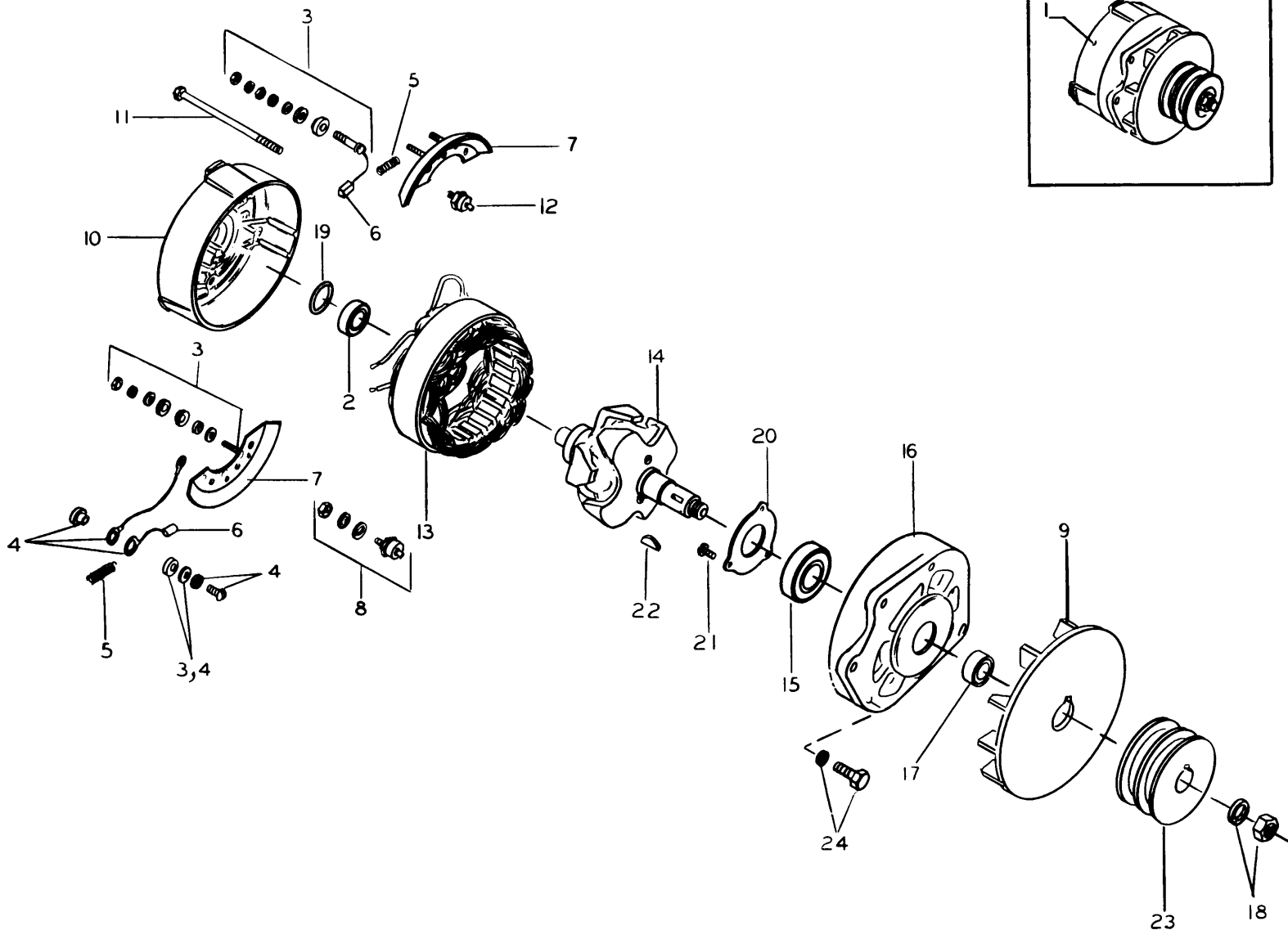
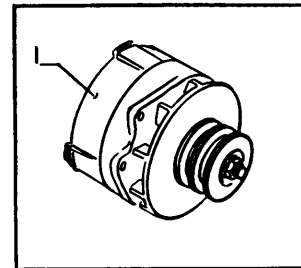
ALTERNATOR

CCM-162

ITEM	ALTERNATOR (Use Illustration CCM-162)	REQUIRED	Serial No. 1-350 401-905						ITEM
	DESCRIPTION								
1	Alternator Assembly 55 Amp.	1	1624493						1
2	Alternator Pulley to Shaft L.W.	1	855140						2
	Alternator Pulley to Shaft Nut	1	45D-10J						
3	Alternator Pulley	1	1628301						3
4	Alternator Pulley Key	1	6J-506						4
5	Alternator Drive End Collar	1	892756						5
6	Alternator Drive End Frame	1	892757						6
7	D.E. Frame Mounting Hinge Bushing	1	892758						7
8	Alternator Drive End Felt	1	892759						8
9	Alternator D.E. Felt Retainer	1	892760						9
10	Alternator D.E. Bearing	1	892761						10
11	Alternator D.E. Bearing Retainer Plate Gasket	1	892762						11
12	Alternator D.E. Bearing Retainer Plate	1	892763						12
13	Alternator D.E. Bearing Retainer Plate Screw	3	859375						13
	Alternator D.E. Bearing Retainer Plate Lockwasher	3	17E-10						
14	Alternator Drive End Spacer	1	892764						14
15	Alternator Rotor Assembly	1	892765						15
16	Alternator Rotor Ring-Slip	1	892767						16
17	Alternator Stator Assembly	1	892768						17
18	Alternator Ground Screw & L.W.		Not Used						18
19	Battery Terminal Packing	1	892770						19
20	F-1 & Relay Term. Packing Screw	1	892771						20
21	Alternator Positive Heat Sink Assembly	1	892772						21
22	Package	3	892773						22
23	Alternator Negative Heat Sink Assembly	1	892774						23
24	Alternator Negative Diode Package	3	892775						24
25	Alternator Heat Sink Screw	3	45G-1212						25
	Alternator Heat Sink Lockwasher	3	17E-12						
	Alternator Heat Sink Bushing	3	892776						
	Alternator Heat Sink Nut	3	892777						
26	Alternator Heat Sink Insulator	3	892778						26
27	Alternator Bearing Cover Screw	3	3G-806R						27
	Alternator Bearing Cover Lockwasher	3	17E-8						
	Alternator Bearing Cover Washer	3	892779						
28	Alternator Slip Ring End Bearing Cover	1	892780						28

ITEM	ALTERNATOR (CONT'D) (Use Illustration CCM-162)	REQUIRED	Serial No. 1-350 401-905						ITEM
	DESCRIPTION								
29	Alternator Slip Ring Frame End Bearing	1	892781						29
30	Alternator Slip Ring Frame End Bearing Retainer Clamp (Rubber)	1	872358						30
31	Alternator Slip Ring End Frame	1	892782						31
32	Alternator Bushing	1	892783						32
33	Alternator SRE Frame Plug	1	892784						33
34	Alternator SRE Frame Screw	6	18C-412P						34
	Alternator SRE Frame Lockwasher	6	24E-04						
	Alternator SRE Frame Nut	6	892785						
35	Alternator Brush Holder	1	892786						35
36	Alternator Brush Kit	1	892787						36
37	Alternator Brush Spring	2	892788						37
38	Alternator Field Adaptor	1	892789						38
39	Alternator Capacitor & Lead Assembly	1	892790						39
40	Alternator Capacitor Bracket	1	892791						40
41	Capacitor Bracket Screw	2	3G-605R						41
	Capacitor Bracket Lockwasher	2	17E-6						
42	Alternator Capacitor Lead Attaching Screw	1	3G-1005R						42
	Alternator Capacitor Lead Attaching L.W.	1	17E-10						
43	Alternator Mounting Bolt	1	1C-616						43
	Alternator Mounting Washer	1	664403						
	Alternator Mounting Lockwasher	1	4E-06						
	Alternator Mounting Lock Nut	1	45D-07						

CORTEZ DIVISION



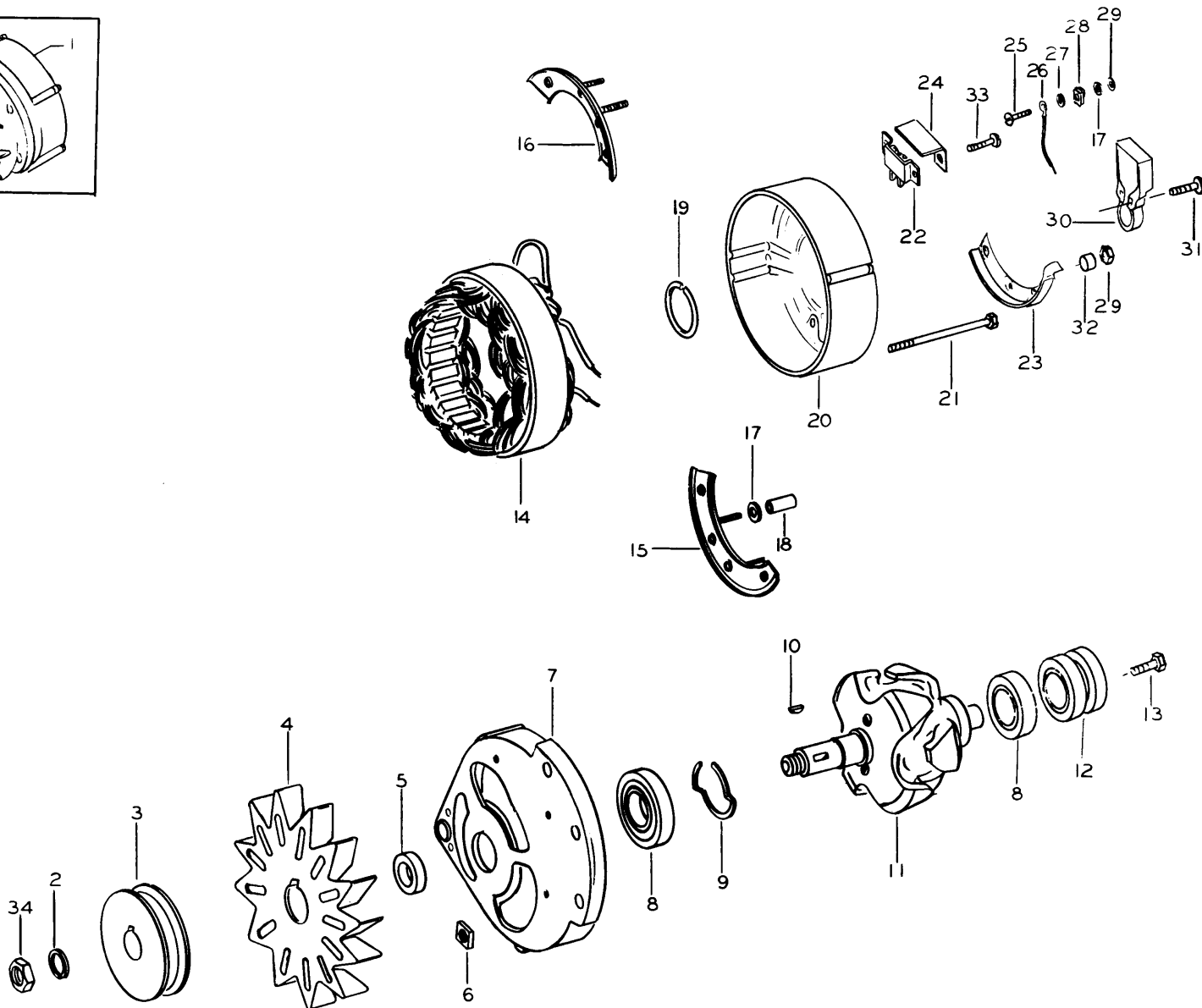
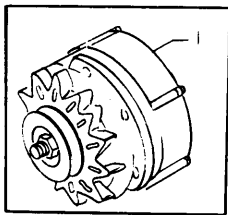
ALTERNATOR ASSEMBLY

CCM-163

# CORTEZ DIVISION

ITEM	ALTERNATOR (Use Illustration CCM-163)	REQUIRED	Serial No. 351-400						ITEM
	DESCRIPTION								
1	Alternator Assembly (Incl. Items 2 thru 22) 100 Amp.	1	1634384						1
2	Rear Bearing	1	896863						2
3	Terminal Stud & Parts Package	1	896864						3
4	Lead Assembly Package	1	896865						4
5	Brush Spring Set	1	896866						5
6	Brush Set	1	896867						6
7	Rectifier Mounting Plate	2	896868						7
8	Negative Rectifier	3	896869						8
9	Ventilating Fan	1	896870						9
10	Slip Ring End Head Assembly	1	896871						10
11	Thru Bolt Package	1	896872						11
12	Positive Rectifier	3	896838						12
13	Stator Assembly	1	896873						13
14	Rotor & Bearing Assembly (Incl. Item 2)	1	896874						14
15	Front Bearing	1	867847						15
16	Drive End Head Assembly (Incl. Items 15, 20 & 21)	1	896875						16
17	Rotor Shaft Spacer	1	896876						17
18	Armature Shaft Nut	1	859369						18
	Armature Shaft Lockwasher	1	856373						
19	Bearing Seal "O" Ring	1	25K-30112						19
20	Bearing Retainer	1	N.S.S.						20
21	Bearing Retainer Screw	3	66G-1008						21
	Bearing Retainer Screw Lockwasher	3	15E-10						
22	Woodruff Key	1	5J-505						22
23	Alternator Pulley	1	1634359						23
24	Alternator Mounting Parts		See Eng. Access.						24



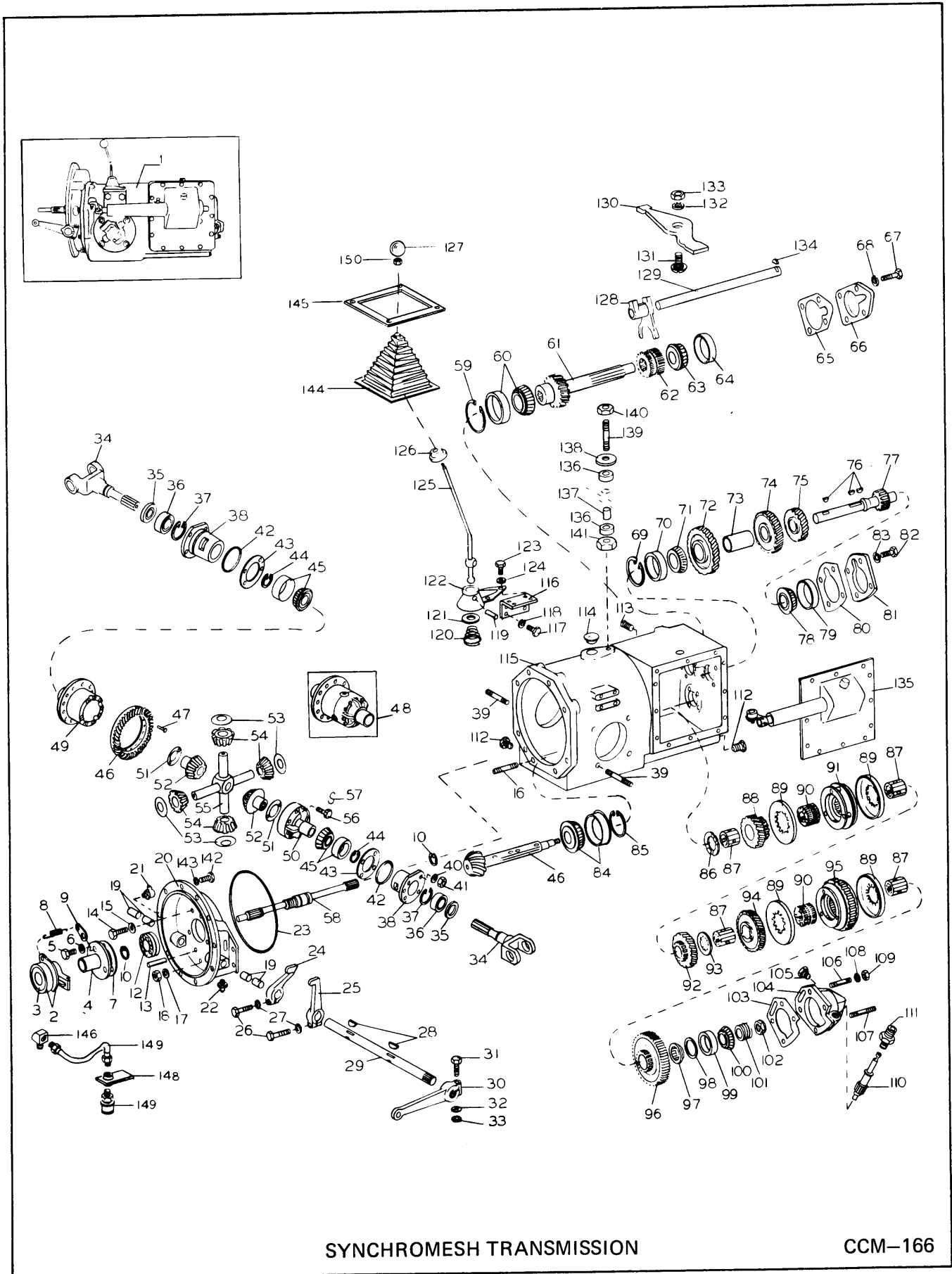


ALTERNATOR

CCM-164

ITEM	ALTERNATOR (Use Illustration CCM-164)	REQUIRED	Serial No. 906-2200						ITEM
	DESCRIPTION								
1	Complete Assembly	1	1671275						1
2	Washer	1	896978						2
3	Pulley	1	896980						3
4	Normal Rotation Fan (Clockwise)	1	896981						4
5	Fan and Pulley Spacer	1	896982						5
6	Nut	4	853847						6
7	Polyurethane Coated Front Housing	1	897234						7
8	Bearing	2	784950						8
9	Front Bearing Retainer	1	896985						9
10	Woodruff Key	1	6J-405						10
11	Rotor Assembly (Incl. Rear Bearing)	1	897235						11
12	Slip Ring Assembly	1	897236						12
13	Capscrew	1	22G-1010						13
14	Stator Assembly	1	896987						14
15	Negative Rectifying Diode Assembly	1	897237						15
16	Positive Rectifying Diode Assembly	1	897238						16
17	Washer	5	896990						17
18	Nylon Insulator Sleeve	2	897239						18
19	Rear Bearing Retainer	1	897240						19
20	Polyurethane Coated Rear Housing	1	897241						20
21	Machine Bolt	4	896984						21
22	Brush Assembly	1	897242						22
23	Dual Isolation Diode Assembly (Red)	1	896995						23
24	Brush Shunt Lead Insulator	1	897243						24
25	Carriage Bolt	1	7C-312J						25
26	Field Wire (Internal)	1	897244						26
27	Washer	1	664401						27
28	Insulator	1	897245						28
29	Locknut	6	50D-10J						29
30	Rear Housing Cover (Neg. Ground)	1	897246						30
31	Tapping Screw	2	18G-812						31
32	Nylon Insulator Sleeve	1	897247						32
33	Tapping Screw	2	18G-808						33
34	Pulley Mounting Nut	1	896979						34

# CORTEZ DIVISION



SYNCHROMESH TRANSMISSION

CCM-166

ITEM	4-SPEED TRANSMISSION (Use Illustration CCM-166)	REQUIRED	Serial No.	Serial No.					ITEM
	DESCRIPTION		1-400	401-500					
1	Transmission Assembly	1	282089	282210					1
2	Clutch Release Bearing & Carrier	1	801403						2
3	Clutch Release Bearing	1	223436						3
4	Main Drive Shaft Bearing Cap	1	217817						4
5	Bearing Cap Bolt	3	1C-514						5
6	Bearing Cap Lockwasher	3	4E-05						6
7	Bearing Cap Gasket	1	217830						7
8	Clutch Release Bearing Carrier Spring	1	205299						8
9	Bearing Carrier Spring Clip	1	201943						9
10	Main Drive Shaft Snap Ring	2	711298						10
12	Main Drive Shaft Front Bearing	1	225746						12
13	Clutch Housing Dowel Pin	1	N.S.S.						13
14	Clutch Housing Upper Mounting Bolt	6	1C-718						14
15	Clutch Housing Upper Mounting L.W.	6	4E-07						15
16	Clutch Housing Lower Mounting Stud	2	202882						16
17	Clutch Housing Lower Mounting L.W.	2	4E-07						17
18	Clutch Housing Lower Mounting Nut	2	2D-07						18
19	Clutch Housing Bushing	4	201966						19
20	Clutch Housing (Incl. Item 19)	1	218366						20
21	Clutch Pedal Shaft Lub Fitting R.H.	1	12H-15						21
22	Clutch Pedal Shaft Lub Fitting L.H.	1	10H-25						22
23	Clutch Housing "O" Ring	1	25K-40908						23
24	Clutch Release Yoke R.H.	1	223719						24
25	Clutch Release Yoke L.H.	1	223710						25
26	Release Yoke Bolt	2	1C-724						26
27	Release Yoke Lockwasher	2	4E-07						27
28	Release Yoke Key	2	6J-607						28
29	Clutch Release Shaft	1	218367						29
30	Clutch Release Shaft Arm	1	219332						30
31	Clutch Release Shaft Arm Bolt	1	1C-632						31
32	Clutch Release Shaft Arm L.W.	1	4E-06						32
33	Clutch Release Shaft Arm Nut	1	1D-06						33
34	Wheel Drive Shaft and Yoke	2	217887	227349 ✓					34
35	Wheel Drive Shaft Oil Seal	2	225957						35
36	Wheel Drive Shaft Bearing	2	229747						36
37	Wheel Drive Shaft Bearing Snap Ring	2	658128						37
38	Wheel Drive Shaft Bearing Carrier	2	217888						38
39	Bearing Carrier Stud	8	202882						39
40	Bearing Carrier Stud Lockwasher	8	4E-07						40

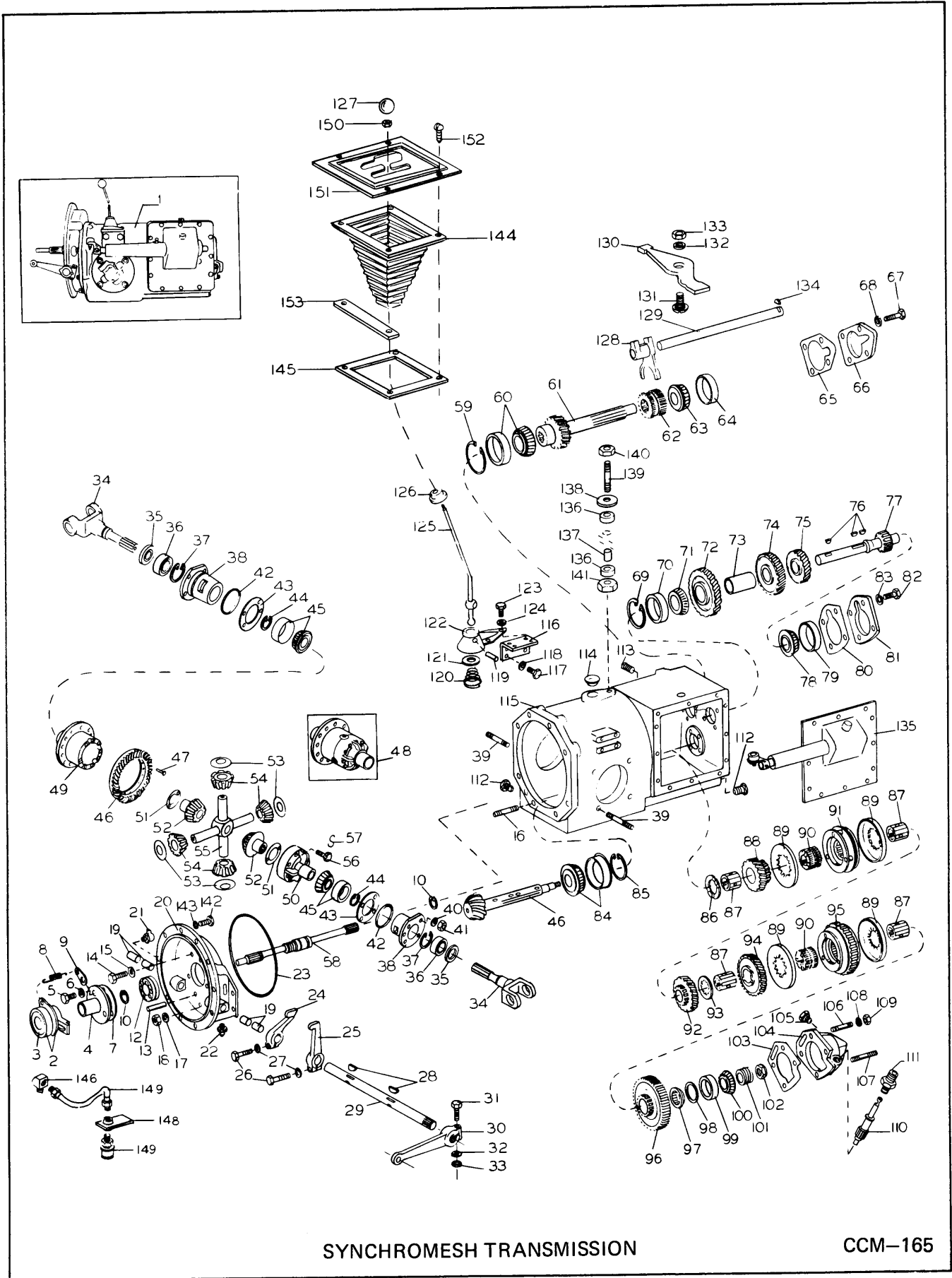
CORTEZ DIVISION

ITEM	4-SPEED TRANSMISSION (CONT'D) (Use Illustration CCM-166)	REQUIRED	Serial No. 1-500						ITEM
	DESCRIPTION								
41	Bearing Carrier Stud Nut	8	2D-07						41
42	Bearing Carrier "O" Ring	2	25K-40400						42
43	Bearing Carrier Shim Kit	1	801377						43
44	Bearing Carrier Snap Ring	2	711299						44
45	Differential Bearing	2	223207						45
46	Ring Gear and Pinion Set	1	815513						46
47	Ring Gear Rivet	12	215832						47
48	Differential Assembly	1	218856						48
49	Refer to Item 48	1	N.S.S.						49
50	Refer to Item 48	1	N.S.S.						50
51	Side Gear Thrust Washer	2	203225						51
52	Differential Side Gear	2	221061						52
53	Pinion Gear Thrust Washer	4	221064						53
54	Pinion Gear	4	221062						54
55	Differential Spider	1	218797						55
56	Differential Case Bolt	8	218799						56
57	Differential Case Bolt Lockwire	8	28H-18						57
58	Main Drive Shaft	1	217816						58
59	Transmission Drive Shaft Front Bearing Snap Ring	1	660883						59
60	Transmission Drive Shaft Front Bearing	1	223207						60
61	Transmission Drive Shaft	1	217848						61
62	Transmission Drive Shaft Reverse Gear	1	217849						62
63	Transmission Drive Shaft Rear Bearing Cone	1	1302390						63
64	Transmission Drive Shaft Rear Bearing Cup	1	1302389						64
65	Rear Bearing Cap Shim Kit	1	801375						65
66	Rear Bearing Cap	1	217831						66
67	Rear Bearing Cap Bolt	4	1C-616						67
68	Rear Bearing Cap Lockwasher	4	4E-06						68
69	Inter. Shaft Front Bearing Snap Ring	1	1301040						69
70	Inter. Shaft Front Bearing Cup	1	712098						70
71	Inter. Shaft Front Bearing Cone	1	712099						71
72	Inter. Shaft Drive Gear	1	217851						72
73	Inter. Shaft Gear Spacer	1	217856						73
74	Inter. Shaft 3rd Gear	1	217852						74

ITEM	4-SPEED TRANSMISSION (CONT'D) (Use Illustration CCM-166)	REQUIRED	Serial No. 1-500						ITEM
	DESCRIPTION								
75	Inter. Shaft 2nd Gear	1	217853						75
76	Inter. Shaft Gear Key	3	5J-606						76
77	Intermediate Shaft	1	218850						77
78	Inter. Shaft Rear Bearing Cone	1	712099						78
79	Inter. Shaft Rear Bearing Cup	1	712098						79
80	Rear Bearing Cap Shim Kit	1	801375						80
81	Rear Bearing Cap	1	217831						81
82	Rear Bearing Cap Bolt	4	1C-616						82
83	Rear Bearing Cap Lockwasher	4	4E-06						83
84	Pinion Shaft Front Bearing	1	225959						84
85	Pinion Shaft Front Bearing Snap Ring Kit	1	801376						85
86	4th Gear Spacer Washer	1	217865						86
87	Pinion Shaft Gear Bushing	4	217863						87
88	Pinion Shaft 4th Gear	1	217855						88
89	Synchronizer Cup	4	217857						89
90	Synchronizer Hub Sleeve	2	217858						90
91	3rd & 4th Synchronizer Assembly	1	215526						91
92	Pinion Shaft 3rd Gear	1	217859						92
93	2nd & 3rd Gear Washer	1	217860						93
94	Pinion Shaft 2nd Gear	1	217861						94
95	1st & 2nd Synchronizer Assembly	1	217895						95
96	Pinion Shaft 1st Gear	1	218851						96
97	1st Gear Spacer Washer	1	217864						97
98	Pinion Shaft Shim Kit	1	801345						98
99	Pinion Shaft Rear Bearing Cup	1	225988						99
100	Pinion Shaft Rear Bearing Cone	1	743773						100
101	Speedometer Drive Gear	1	217823						101
102	Pinion Shaft Nut	1	206434						102
103	Bearing Cap Gasket	1	217835						103
104	Pinion Shaft Rear Bearing Cap	1	217820						104
105	Pinion Shaft Magnetic Plug	1	217837						105
106	Bearing Cap Stud	3	220818						106
107	Bearing Cap Stud—Lower Left	1	217836						107
108	Bearing Cap Stud Lockwasher	4	4E-06						108
109	Bearing Cap Stud Nut	4	2D-06						109
110	Speedometer Driven Gear	1	217824						110
111	Speedometer Tube Nut	1	217825						111
112	Magnetic Drain Plug	2	655167						112
113	Cast Filler Plug	1	13F-12						113

ITEM	4-SPEED TRANSMISSION (CONT'D) (Use Illustration CCM-166)	REQUIRED	Serial No. 1-500						ITEM
	DESCRIPTION								
114	Cast Inspection Plug	1	222418						114
115	Transmission Case	1	217819						115
116	Bracket, Shift Lever Support	1	217843						116
117	Support Bracket Bolt	4	1C-616						117
118	Support Bracket Lockwasher	4	4E-06						118
119	Shift Lever Pivot Pin	1	201054						119
120	Shift Lever Support Spring	1	201298						120
121	Shift Lever Support Washer	1	201299						121
122	Bracket, Shift Lever Mounting	1	215892						122
123	Shift Lever Mounting Capscrew	3	2C-614						123
124	Shift Lever Mounting Lockwasher	3	4E-06						124
125	Shift Lever	1	217883						125
126	Shift Lever Dust Cover	1	215772						126
127	Shift Lever Knob	1	1616300						127
128	Reverse Shift Fork	1	217885						128
129	Reverse Shift Fork Rail	1	217884						129
130	Reverse Shift Fork Rocker Arm	1	217886						130
131	Reverse Rocker Arm Pivot	1	225140						131
132	Reverse Rocker Arm Pivot Lockwasher	1	4E-08						132
133	Reverse Rocker Arm Pivot Nut	1	8D-08						133
134	Reverse Shift Rail Key	1	5J-304						134
135	Control Cover Assembly	1	226404						135
136	Rubber Cushion	2	337014						136
137	Cushion Spacer	1	204344						137
138	Washer	1	337015						138
139	Transmission Mount Stud	1	1615094						139
140	Stud Nut	1	1D-12						140
141	Spacer	1	337068						141
142	Clutch Housing to Engine Bolt	12	1C-620						142
143	Clutch Housing to Engine L.W.	12	4E-06						143
144	Gear Shift Lever Boot	1	337075						144
145	Gear Shift Lever Boot Retainer	1	1624706						145
146	Grease Line Elbow	1	620558						146
147	Grease Line	1	1305000						147
148	Grease Line Adaptor	1	601166						148
149	Clutch Release Bearing Grease Cup	1	604394						149
150	Shift Lever Knob Jam Nut	1	8D-06						150

# CORTEZ DIVISION



SYNCHROMESH TRANSMISSION

CCM-165



ITEM	4-SPEED TRANSMISSION (CONT'D) (Use Illustration CCM-165)	REQUIRED	Serial No. 501-1105	Serial No. 1106-1826	Serial No. 1827-2200	ITEM
	DESCRIPTION					
1	Transmission Assembly	1	282289	282498	282795	1
2	Clutch Release Bearing & Carrier	1	801403	228722		2
3	Clutch Release Bearing	1	223436			3
4	Main Drive Shaft Bearing Cap	1	217817		228723	4
5	Bearing Cap Bolt	3	1C-514		5C-514	5
6	Bearing Cap Lockwasher	3	4E-05		Not Used	6
7	Bearing Cap Gasket	1	217830			7
8	Clutch Release Bearing Carrier Spring	1	205299	207768		8
9	Bearing Carrier Spring Clip	1	201943			9
10	Main Drive Shaft Snap Ring	2	711298			10
12	Main Drive Shaft Front Bearing	1	225746			12
13	Clutch Housing Dowel Pin	1	N.S.S.			13
14	Clutch Housing Upper Mounting Bolt	6	1C-718			14
15	Clutch Housing Upper Mounting L.W.	6	4E-07			15
16	Clutch Housing Lower Mounting Stud	2	202882			16
17	Clutch Housing Lower Mounting L.W.	2	4E-07			17
18	Clutch Housing Lower Mounting Nut	2	2D-07			18
19	Clutch Housing Bushing	4	201966			19
20	Clutch Housing (Incl. Item 19)	1	218366			20
21	Clutch Pedal Shaft Lub Fitting R.H.	1	12H-15			21
22	Clutch Pedal Shaft Lub Fitting L.H.	1	10H-25			22
23	Clutch Housing "O" Ring	1	25K-40908			23
24	Clutch Release Yoke R.H.	1	223719	228719		24
25	Clutch Release Yoke L.H.	1	223710	Not Used		25
26	Release Yoke Bolt	2	1C-724		207201	26
27	Release Yoke Lockwasher	2	4E-07		Not Used	27
28	Release Yoke Key	2	6J-607			28
29	Clutch Release Shaft	1	218367	228720		29
30	Clutch Release Shaft Arm	1	219332			30
31	Clutch Release Shaft Arm Bolt	1	1C-632			31
32	Clutch Release Shaft Arm L.W.	1	4E-06			32
33	Clutch Release Shaft Arm Nut	1	1D-06			33
34	Wheel Drive Shaft and Yoke	2	227349		229775	34
35	Wheel Drive Shaft Oil Seal	2	225957		229859	35
36	Wheel Drive Shaft Bearing	2	229747		229877	36
37	Wheel Drive Shaft Bearing Snap Ring	2	658128		224083	37
38	Wheel Drive Shaft Bearing Carrier	2	217888		229856	38
39	Bearing Carrier Stud	8	202882			39
40	Bearing Carrier Stud Lockwasher	8	4E-07			40

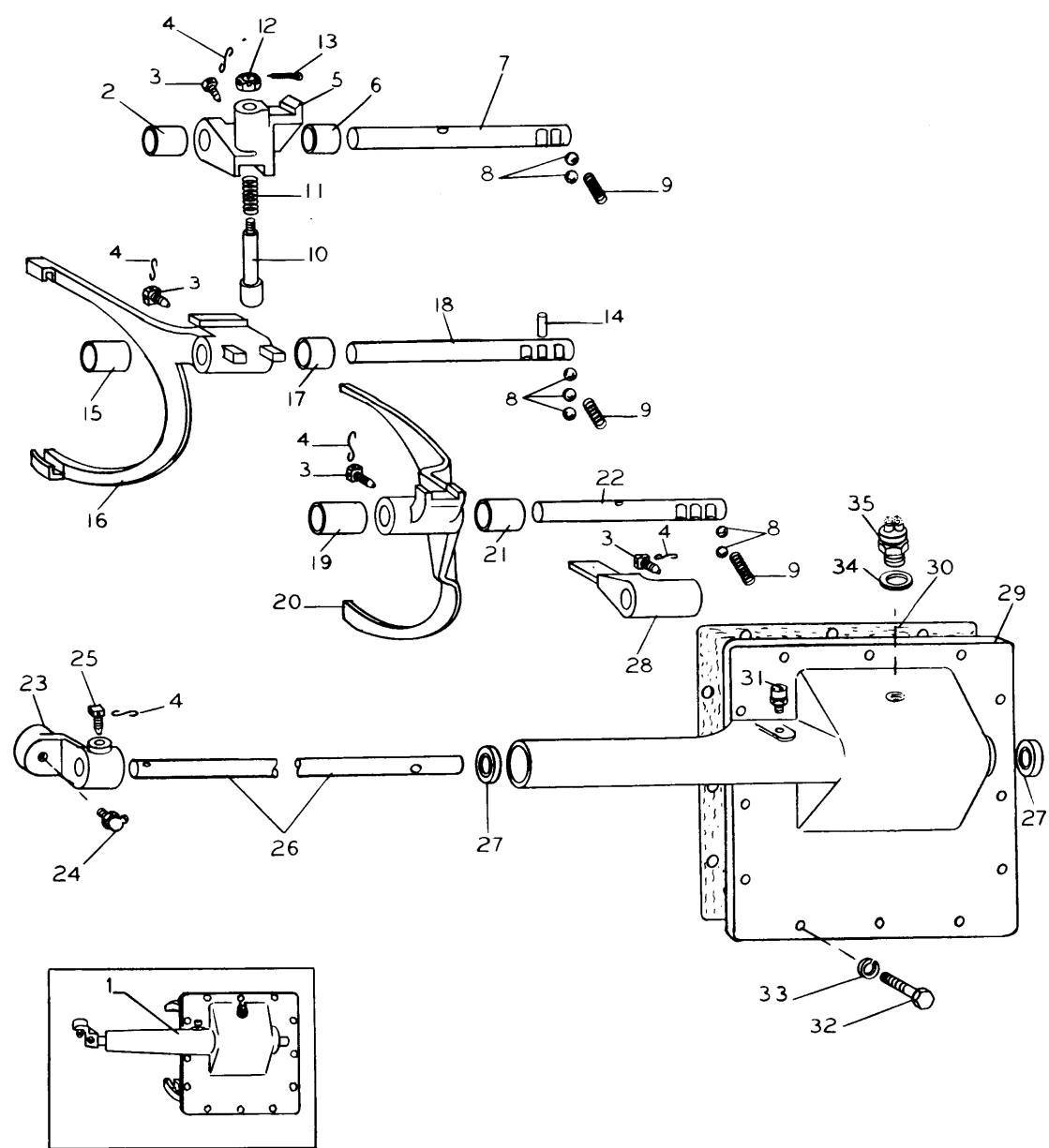
CORTEZ DIVISION

BOB BROUEN  
 663 6305-023  
 979-3538  
 280212 688656

ITEM	4-SPEED TRANSMISSION (CONT'D) (Use Illustration CCM-165)	REQUIRED	Serial No.	Serial No.					ITEM
	DESCRIPTION		501-1826	1827-2200					
41	Bearing Carrier Stud Nut	8	2D-07						41
42	Bearing Carrier "O" Ring	2	25K-40400						42
43	Bearing Carrier Shim Kit	1	801377						43
44	Bearing Carrier Snap Ring	2	711299	102384					44
45	Differential Bearing	2	223207	223233					45
46	Ring Gear and Pinion Set	1	801469	230308					46
47	Ring Gear Rivet	12	215832	230499					47
48	Differential Assembly	1	218856	229874					48
49	Refer to Item 48	1	N.S.S.						49
50	Refer to Item 48	1	N.S.S.						50
51	Side Gear Thrust Washer	2	203225						51
52	Differential Side Gear	2	221061	229857					52
53	Pinion Gear Thrust Washer	4	221064						53
54	Pinion Gear	4	221062						54
55	Differential Spider	1	218797						55
56	Differential Case Bolt	8	218799						56
57	Differential Case Bolt Lockwire	8	28H-18						57
58	Main Drive Shaft	1	217816						58
59	Transmission Drive Shaft Front Bearing Snap Ring	1	660883						59
60	Transmission Drive Shaft Front Bearing	1	223207						60
61	Transmission Drive Shaft	1	217848						61
62	Transmission Drive Shaft Reverse Gear	1	217849						62
63	Transmission Drive Shaft Rear Bearing Cone	1	1302390						63
64	Transmission Drive Shaft Rear Bearing Cup	1	1302389						64
65	Rear Bearing Cap Shim Kit	1	801375						65
66	Rear Bearing Cap	1	217831						66
67	Rear Bearing Cap Bolt	4	5C-616						67
68	Rear Bearing Cap Lockwasher	4	Not Used						68
69	Inter. Shaft Front Bearing Snap Ring	1	1301040						69
70	Inter. Shaft Front Bearing Cup	1	712098						70
71	Inter. Shaft Front Bearing Cone	1	712099						71
72	Inter. Shaft Drive Gear	1	217851						72
73	Inter. Shaft Gear Spacer	1	217856						73
74	Inter. Shaft 3rd Gear	1	217852						74

ITEM	4-SPEED TRANSMISSION (CONT'D) (Use Illustration CCM-165)	REQUIRED	Serial No. 501-905	Serial No. 906-1826	Serial No. 1827-2200	ITEM
	DESCRIPTION					
75	Inter. Shaft 2nd Gear	1	217853			75
76	Inter. Shaft Gear Key	3	5J-606			76
77	Intermediate Shaft	1	218850			77
78	Inter. Shaft Rear Bearing Cone	1	712099			78
79	Inter. Shaft Rear Bearing Cup	1	712098			79
80	Rear Bearing Cap Shim Kit	1	801375			80
81	Rear Bearing Cap	1	217831			81
82	Rear Bearing Cap Bolt	4	1C-616		5C-616	82
83	Rear Bearing Cap Lockwasher	4	4E-06		Not Used	83
84	Pinion Shaft Front Bearing	1	225959			84
85	Pinion Shaft Front Bearing Snap Ring Kit	1	801376			85
86	4th Gear Spacer Washer	1	217865			86
87	Pinion Shaft Gear Bushing	4	217863			87
88	Pinion Shaft 4th Gear	1	217855			88
89	Synchronizer Cup	4	217857			89
90	Synchronizer Hub Sleeve	2	217858			90
91	3rd & 4th Synchronizer Assembly	1	215526			91
92	Pinion Shaft 3rd Gear	1	217859			92
93	2nd & 3rd Gear Washer	1	217860			93
94	Pinion Shaft 2nd Gear	1	217861			94
95	1st & 2nd Synchronizer Assembly	1	217895	229042		95
96	Pinion Shaft 1st Gear	1	218851			96
97	1st Gear Spacer Washer	1	227813			97
98	Pinion Shaft Shim Kit	1	801345			98
99	Pinion Shaft Rear Bearing Cup	1	225988			99
100	Pinion Shaft Rear Bearing Cone	1	743773			100
	Pinion Shaft Rear Bearing Retainer Ring (Not Shown)	1	123877			
101	Speedometer Drive Gear	1	217823			101
102	Pinion Shaft Nut	1	206434			102
103	Bearing Cap Gasket	1	217835			103
104	Pinion Shaft Rear Bearing Cap	1	217820			104
105	Pinion Shaft Magnetic Plug	1	217837			105
106	Bearing Cap Stud	3	220818			106
107	Bearing Cap Stud—Lower Left	1	217836			107
108	Bearing Cap Stud Lockwasher	4	4E-06			108
109	Bearing Cap Stud Nut	4	2D-06			109
110	Speedometer Driven Gear	1	217824			110
111	Speedometer Tube Nut	1	217825			111
112	Magnetic Drain Plug	2	655167			112
113	Cast Filler Plug	1	13F-12			113

ITEM	4-SPEED TRANSMISSION (CONT'D) (Use Illustration CCM-165)	REQUIRED	Serial No. 501-1826	Serial No. 1827-2200					ITEM
	DESCRIPTION								
114	Cast Inspection Plug	1	222418						114
115	Transmission Case	1	217819						115
116	Bracket, Shift Lever Support	1	217843						116
117	Support Bracket Bolt	4	1C-616	5C-616					117
118	Support Bracket Lockwasher	4	4E-06	Not Used					118
119	Shift Lever Pivot Pin	1	201054						119
120	Shift Lever Support Spring	1	201298						120
121	Shift Lever Support Washer	1	201299						121
122	Bracket, Shift Lever Mounting	1	215892						122
123	Shift Lever Mounting Capscrew	3	2C-614						123
124	Shift Lever Mounting Lockwasher	3	4E-06						124
125	Shift Lever	1	217883						125
126	Shift Lever Dust Cover	1	215772						126
127	Shift Lever Knob	1	1616300						127
128	Reverse Shift Fork	1	217885						128
129	Reverse Shift Fork Rail	1	217884						129
130	Reverse Shift Fork Rocker Arm	1	217886						130
131	Reverse Rocker Arm Pivot	1	225140						131
132	Reverse Rocker Arm Pivot Lockwasher	1	4E-08						132
133	Reverse Rocker Arm Pivot Nut	1	8D-08						133
134	Reverse Shift Rail Key	1	5J-304						134
135	Control Cover Assembly	1	226404						135
136	Rubber Cushion	2	337014						136
137	Cushion Spacer	1	204344						137
138	Washer	1	337015						138
139	Transmission Mount Stud	1	1615094						139
140	Stud Nut	1	1D-12						140
141	Spacer	1	337068						141
142	Clutch Housing to Engine Bolt	12	1C-620						142
143	Clutch Housing to Engine L.W.	12	4E-06						143
144	Gear Shift Lever Boot	1	337075						144
145	Gear Shift Lever Boot Retainer	1	1698675						145
146	Grease Line Elbow	1	620558						146
147	Grease Line	1	1305000						147
148	Grease Line Adaptor	1	601166						148
149	Clutch Release Bearing Grease Cup	1	604394						149
150	Shift Lever Knob Jam Nut	1	8D-06						150
151	Gear Shift Escutcheon	1	1654106						151
152	Gear Shift Escutcheon Mounting Screw	4	57G-1012						152
153	Tapping Plate	2	1307625						153



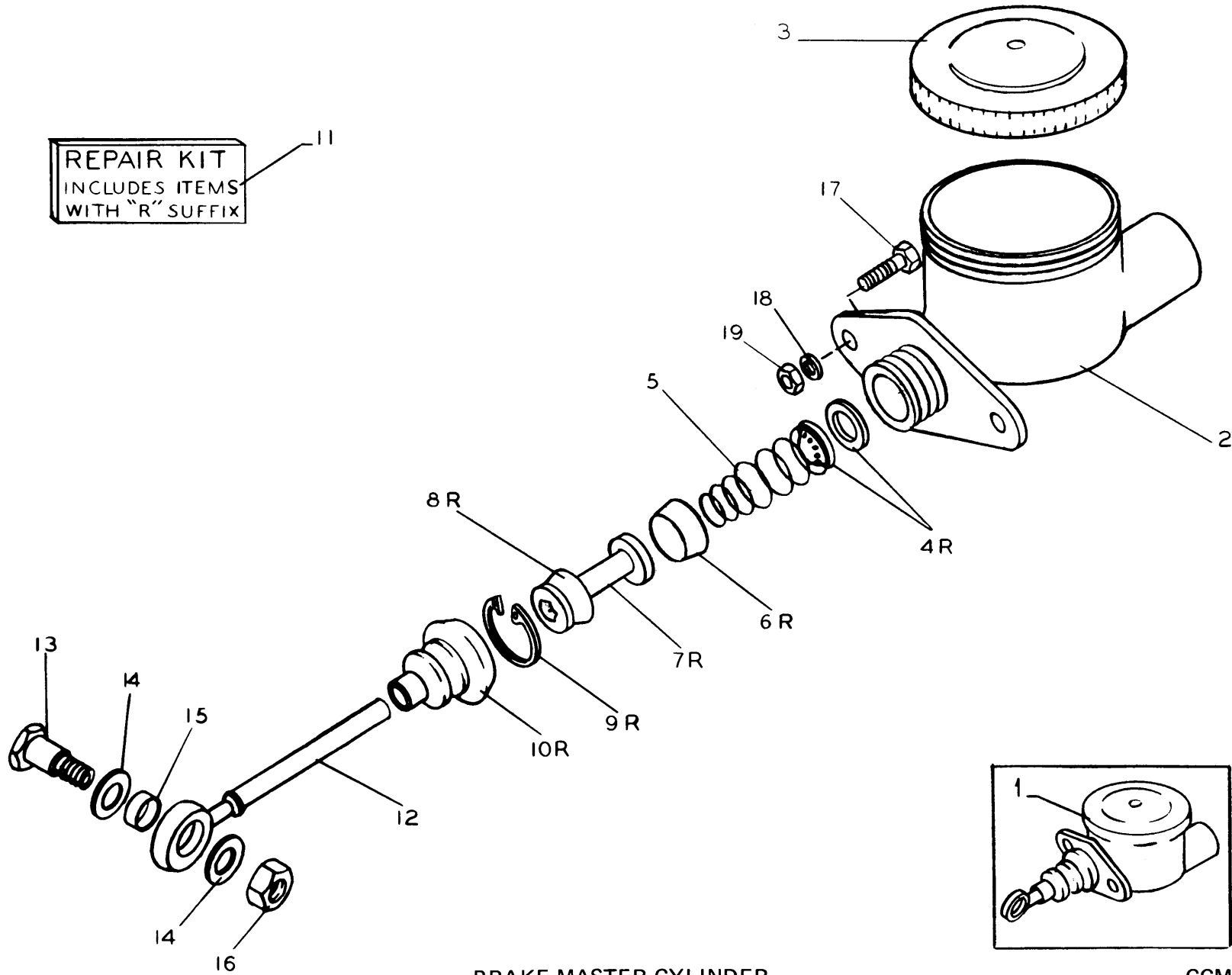
TRANSMISSION CONTROL COVER

CCM-167

ITEM	TRANSMISSION CONTROL COVER (Use Illustration CCM-167)	REQUIRED	Serial No.	Serial No.					ITEM
	DESCRIPTION		1-1826	1827-2200					
1	Control Cover Assembly	1	226404						1
2	Reverse Shift Stop Spacer	1	201608						2
3	Shift Shaft Lockscrew	4	201566						3
4	Shift Shaft Lockscrew Lockwire	AR	28H-18						4
5	Reverse Shift Lug	1	217879						5
6	Reverse Overshift Spacer	1	201608						6
7	Reverse Shift Rod	1	217876						7
8	Mesh Lock Ball	7	10J-12						8
9	Interlock Spring	3	202200						9
10	Reverse Latch Plunger	1	200418						10
11	Reverse Latch Plunger Spring	1	201043						11
12	Reverse Latch Plunger Nut	1	4D-05						12
13	Reverse Latch Plunger Cotter	1	1F-208						13
14	Interlock Pin	1	201093						14
15	4th Overshaft Spacer	1	201608						15
16	3rd and 4th Shift Fork	1	217877						16
17	3rd Shift Shaft Spacer	1	201608						17
18	3rd and 4th Shift Rod	1	217875						18
19	2nd Overshaft Spacer	1	201608						19
20	1st and 2nd Shift Fork	1	217878						20
21	1st Shift Shaft Spacer	1	201608						21
22	1st and 2nd Shift Rod	1	217875						22
23	Bracket, Shift Shaft Outside	1	217880						23
24	Bracket Lub Fitting	1	11H-1						24
25	Shift Shaft Lockscrew	1	201566						25
26	Shift Shaft	1	226356						26
27	Shift Shaft Oil Seal	2	225736						27
28	Shift Shaft Inside Finger	1	217874						28
29	Control Cover	1	226355						29
30	Control Cover Gasket	1	217881						30
31	Control Cover Breather	1	106656						31
32	Control Cover Bolt	12	1C-616	5C-616					32
33	Control Cover Lockwasher	12	4E-06	Not Used					33
34	Back-Up Light Switch Shim Kit	AR	801397						34
35	Back-Up Light Switch	1	733631						35
36	Back-Up Light Switch Cap	1	226872						36

CORTEZ DIVISION

REPAIR KIT  
INCLUDES ITEMS  
WITH "R" SUFFIX



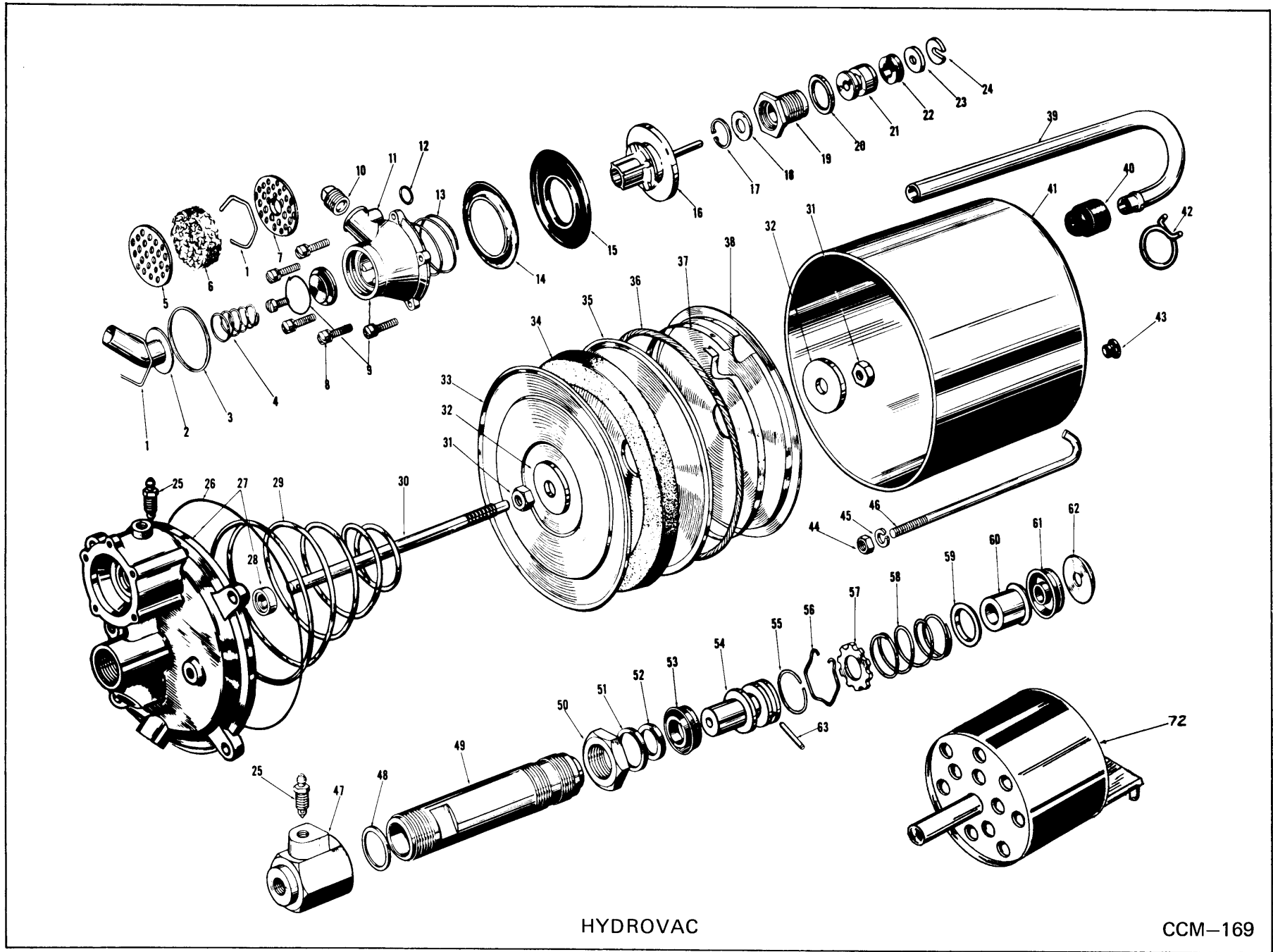
BRAKE MASTER CYLINDER

CCM-168

ITEM	BRAKE MASTER CYLINDER ASSEMBLY (Use Illustration CCM-168)	REQUIRED	Serial No.	Serial No.					ITEM
	DESCRIPTION		1-905	906-2200					
1	Brake Master Cylinder Assembly	1	1616362	1662587					1
2	Cylinder Body (Ref: Item 1)	1	N.S.S.						2
3	Cylinder Filler Cap	1	891952	898590					3
4	Residual Valve & Seat (Ref: Item 11)	1	N.S.S.						4
5	Piston Return Spring (Ref: Item 11)	1	N.S.S.						5
6	Piston Primary Cup (Ref: Item 11)	1	N.S.S.						6
7	Cylinder Piston (Ref: Item 11)	1	N.S.S.						7
8	Piston Secondary Cup (Ref: Item 11)	1	N.S.S.						8
9	Piston Retainer (Ref: Item 11)	1	N.S.S.						9
10	Cylinder Boot	1	891953						10
11	Cylinder Repair Kit (Includes Items 4 and 6 thru 10)	1	891954	898591					11
12	Push Rod	1	891955	896562					12
13	Shoulder Bolt	1	316687						13
14	Washer	2	620238						14
15	Thrust Bushing	1	1616289						15
16	Nut	1	8D-06						16
17	Cylinder Mounting Bolt	2	1C-614						17
18	Cylinder Mounting Lockwasher	2	4E-06						18
19	Cylinder Mounting Nut	2	1D-06						19

CORTEZ DIVISION





CORTEZ DIVISION

HYDROVAC

CCM-169

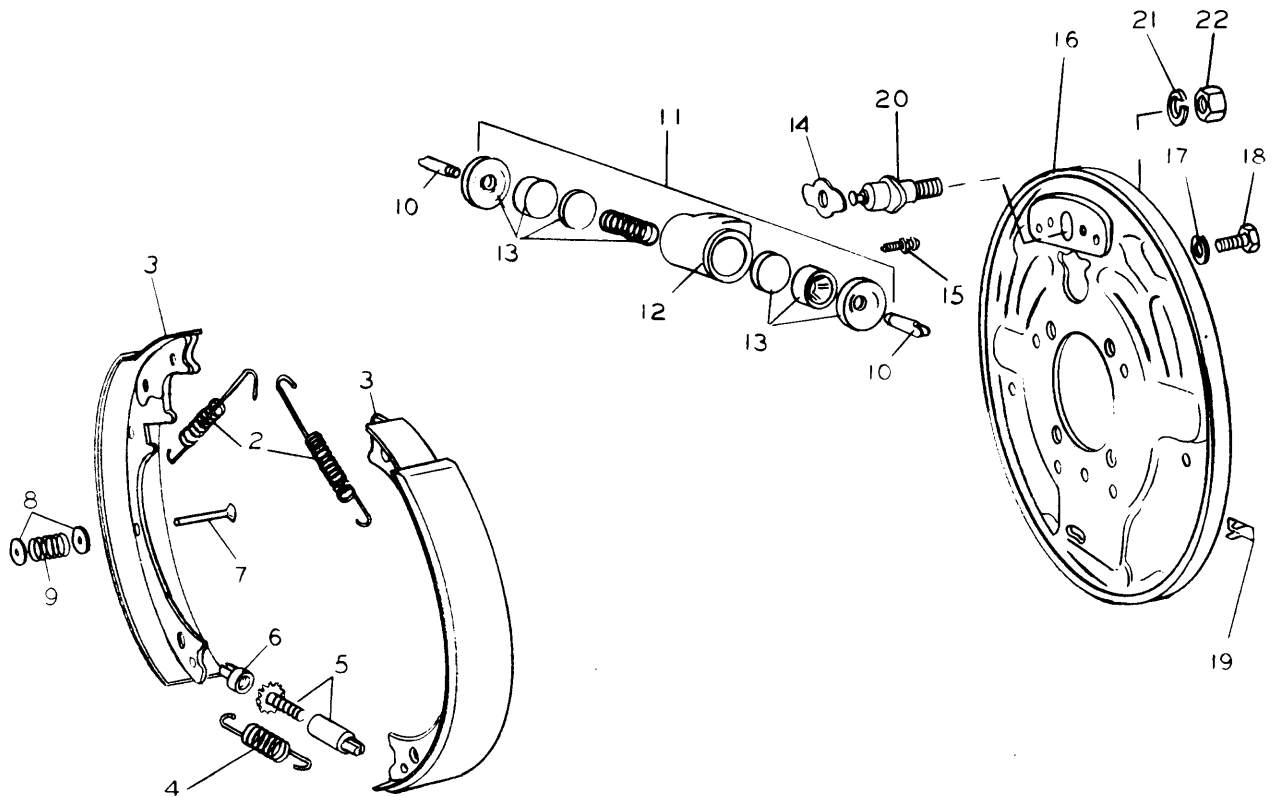
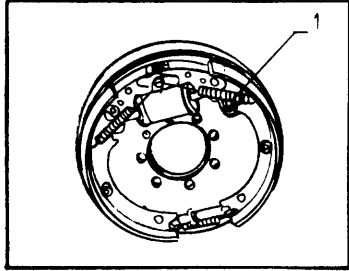
ITEM	HYDROVAC (Use Illustration CCM-169)	REQUIRED	Serial No. 1-905	Serial No. 906-2200					ITEM
	DESCRIPTION								
1	Hydrovac Assembly Complete	1	430923	1660869					1
2	Snap Ring	2	864841						2
3	Cover (Ref: Item 68 & 69)	1	N.S.S.						3
4	Gasket (Ref: Item 68 & 69)	1	N.S.S.						4
5	Spring	1	880161	898692					5
6	Screen	1	886223	Not Used					6
7	Hair	AR	951603	Not Used					7
8	Retainer	1	886224	Not Used					8
9	Screw	5	41G-808						9
10	Poppet & Ring Valve (Ref: Item 69)	1	N.S.S.						10
11	Plug	1	13F-06						11
12	Valve Body	1	886225	880160					12
13	"O" Ring (Ref: Item 68 or 69)	1	N.S.S.						13
14	Spring	1	886226	880165					14
15	Retainer	1	880159						15
16	Diaphragm	1	880166						16
17	Plate	1	886227	880167					17
18	Ring	1	659041	1310604					18
19	Washer	1	864740	898693					19
20	Fitting	1	864848	898694					20
21	Seal (Ref: Item 68 or 69)	1	N.S.S.						21
22	Piston	1	886228	880158					22
23	Cap (Ref: Item 68 or 69)	1	N.S.S.						23
24	Washer	1	870870						24
25	"C" Washer (Ref: Item 68 or 69)	1	N.S.S.						25
26	Valve	1	864862						26
27	Gasket (Ref: Item 68 or 69)	1	N.S.S.						27
28	End Plate	1	886229	898695					28
29	Seal (Ref: Item 68 or 69)	1	N.S.S.						29
30	Spring	1	886230	880173					30
31	Push Rod	1	886231	880175					31
32	Nut	2	2D-05						32
33	Washer	2	880172						33
34	Plate	1	880171						34
35	Packing (Ref: Item 70)	1	N.S.S.						35
36	Plate	1	880170						36
37	Felt (Ref: Item 70)	1	N.S.S.						37
38	Ring (Ref: Item 70)	1	N.S.S.						38
	Retainer	1	880169						

CORTEZ DIVISION

ITEM	HYDROVAC (CONT'D) (Use Illustration CCM-169)	REQUIRED	Serial No. 1-905	Serial No. 906-2200					ITEM
	DESCRIPTION								
39	Tube	1	886232	880168					39
40	Grommet (Ref: Item 69)	1	N.S.S.						40
41	Stud	1	886233	898696					41
42	Hose Clamp	1	17H-13	17H-15					42
43	Plug	1	880178						43
44	Nut	4	2D-05						44
45	Lockwasher	4	4E-05						45
46	Bolt	4	886234	863348					46
47	End Cap	1	886235	Not Used					47
48	Gasket (Ref: Item 68 or 69)	1	N.S.S.	Not Used					48
49	Tube	1	886236	898697					49
50	Nut Check	1	886237	898698					50
51	Seal (Ref: Item 68 or 69)	1	N.S.S.	Not Used					51
52	Seal (Ref: Item 68 or 69)	1	N.S.S.						52
53	Cup (Ref: Item 68 or 69)	1	N.S.S.						53
54	Piston	1	886238	880182					54
55	Snap Ring	1	886239	880181					55
56	Snap Ring (Ref: Item 68 or 69)	1	N.S.S.						56
57	Washer	1	880180						57
58	Spring (Ref: Item 71)	1	N.S.S.						58
59	Sleeve (Ref: Item 71)	1	N.S.S.						59
60	Retainer (Ref: Item 71)	1	N.S.S.						60
61	Cup (Ref: Item 68 or 69)	1	N.S.S.						61
62	Washer (Ref: Item 68 or 69)	1	N.S.S.						62
63	Pin	1	886240	864866					63
64	Vacuum Check Valve (Not Shown)	1	886241	898699					64
68	Minor Repair Kit (Incl. Items 12, 20, 22, 24, 26, 28, 48, 51, 52, 53, 56)	1	886242	898700					68
69	Major Repair Kit (Includes Items 9, 12, 20, 22, 24, 26, 28, 40, 48, 51, 52, 53 & 56)	1	886243	898701					69
70	Piston Packing Kit (Includes Items 34, 36, 37)	1	880178						70
71	Spring, Sleeve & Retainer Kit (Includes Items 58, 59, 60)	1	864864						71
72	Hydrovac Air Cleaner	1	1670861						72

CORTEZ DIVISION

# CORTEZ DIVISION



3 — SHOE AND LINING  
(AXLE SET)

13 — WHEEL CYLINDER  
REPAIR KIT

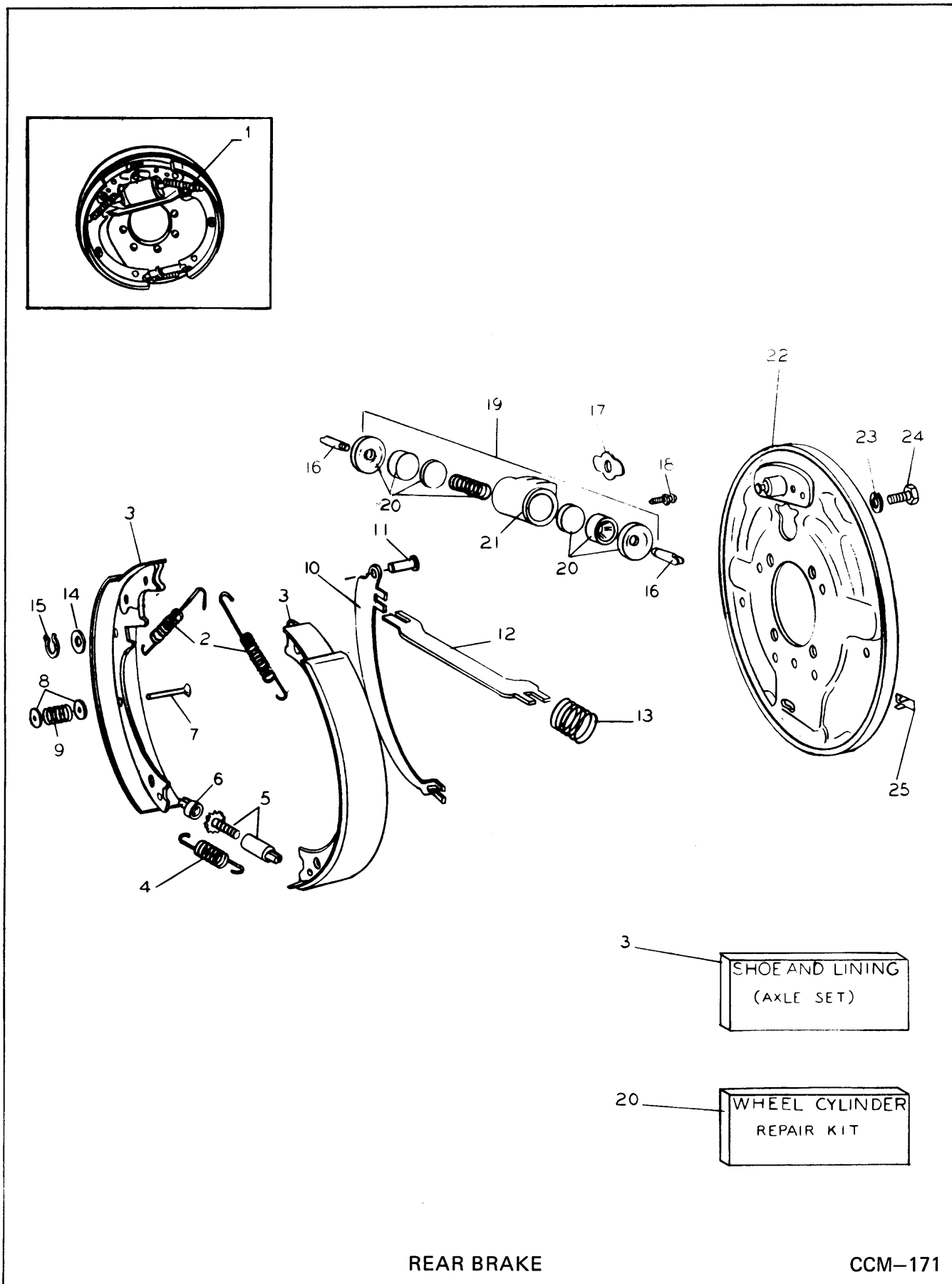
FRONT BRAKE

CCM-170

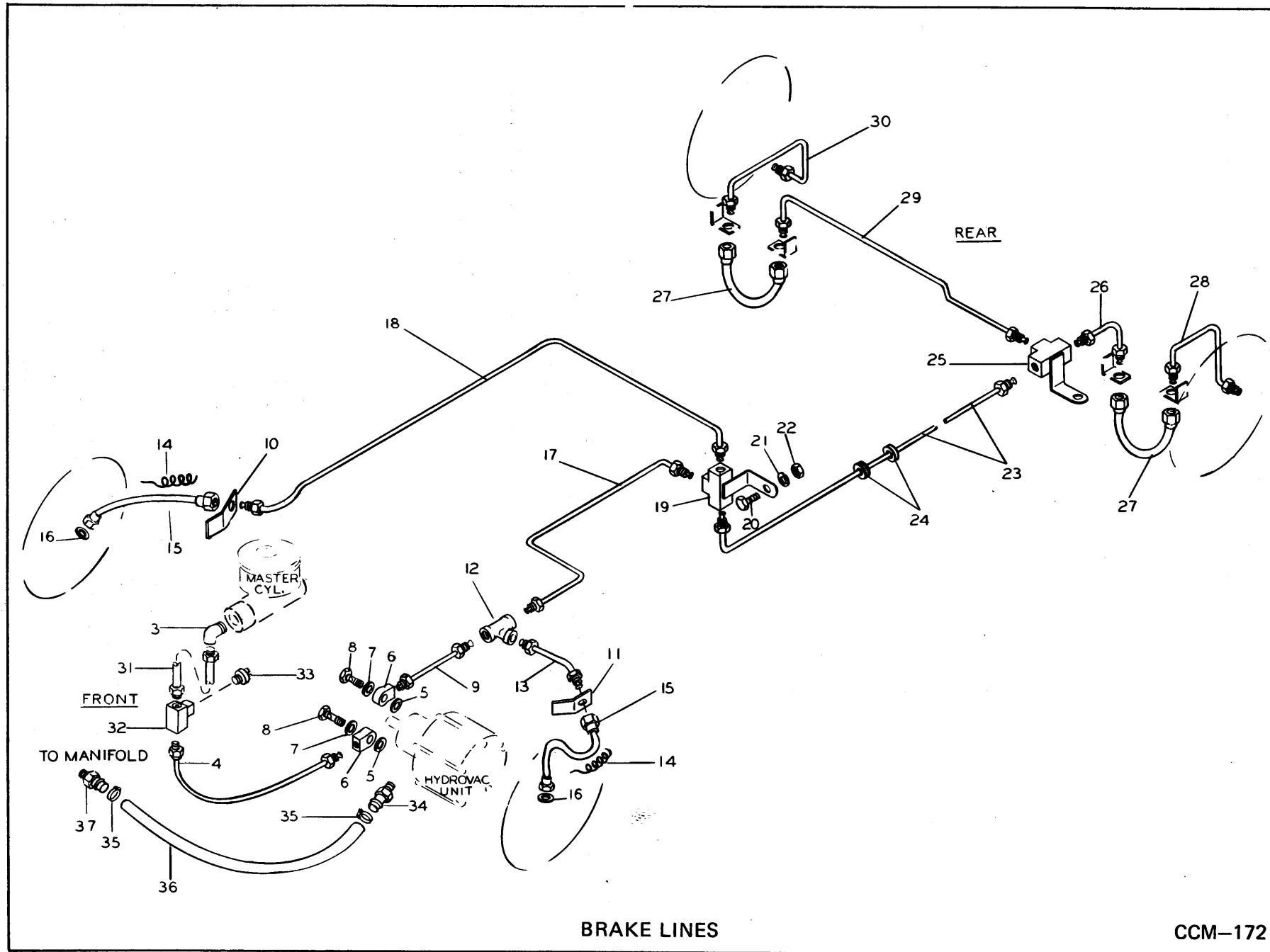
# CORTEZ DIVISION

ITEM	FRONT BRAKE ASSEMBLY (Use Illustration CCM-170)	REQUIRED	Serial No. 1-1250	Serial No. 1251-2200					ITEM
	DESCRIPTION								
1	Front Brake Assembly—R.H.	1	113388	119092					1
	Front Brake Assembly—L.H.	1	113389	119093					
2	Brake Shoe Return Spring	2	892000						2
3	Shoe and Lining (Axle Set).	1	891750	898271					3
4	Adj. Screw Spring	1	891756						4
5	Adj. Screw Assembly	1	891990						5
6	Adj. Screw Socket	1	886879						6
7	Shoe Hold-Down Pin	2	886884						7
8	Shoe Hold-Down Spring Cup	4	883080						8
9	Shoe Hold-Down Spring	2	886885						9
10	Wheel Cylinder Connecting Link	2	886881						10
11	Wheel Cylinder Assembly	1	892001	898272					11
	Wheel Cylinder Assembly	1	892002	898273					
12	Wheel Cylinder Body (Ref: Item 11)		N.S.S.						12
13	Wheel Cylinder Repair Kit	1	886895	898274					13
14	Guide Plate	1	886882						14
15	Bleeder Screw	1	851806						15
16	Backing Plate Assembly	1	892003						16
17	Wheel Cylinder Mounting Lockwasher	2	8E-05						17
18	Wheel Cylinder Mounting Bolt	2	1C-508						18
19	Cover Plate	1	886886						19
20	Anchor Pin	1	892004						20
21	Anchor Pin Lockwasher	1	886878						21
22	Anchor Pin Nut	1	64D-10						22

# CORTEZ DIVISION



ITEM	REAR BRAKE ASSEMBLY (Use Illustration CCM-171)	REQUIRED	Serial No. 1-1250	Serial No. 1251-2200					ITEM
	DESCRIPTION								
1	Rear Brake Assembly—R.H.	1	336896	119094					1
	Rear Brake Assembly—L.H.	1	336895	119095					
2	Shoe Return Spring	2	886883						2
3	Shoe & Lining (Axle Set)	1	891750	898271					3
4	Adj. Screw Spring	1	891756						4
5	Adj. Screw Assembly	1	891990						5
6	Adj. Screw Socket	1	886879						6
7	Shoe Hold-Down Spring Pin	2	886884						7
8	Shoe Hold-Down Spring Cup	4	883080						8
9	Shoe Hold-Down Spring	2	886885						9
10	Parking Brake Lever—R.H.	1	891991						10
	Parking Brake Lever—L.H.	1	891992						11
11	Lever to Shoe Pin	1	891993						12
12	Parking Brake Lever Strut	1	891994						13
13	Strut to Shoe Spring	1	891995						14
14	Anti-Rattle Spring Washer	1	891996						15
15	Parking Brake Pin Retainer	1	891997						16
16	Connecting link	2	886881						17
17	Shoe Guide Plate	1	886882						18
18	Bleeder Screw	1	957846						19
19	Wheel Cylinder Assembly—R.H.	1	891753						20
	Wheel Cylinder Assembly—L.H.	1	891752						21
20	Wheel Cylinder Repair Kit	1	891754						22
21	Wheel Cylinder Body (Ref: Item 19)		N.S.S.						23
22	Brake Backing Plate—R.H.	1	891998						24
	Brake Backing Plate—L.H.	1	891999						25
23	Wheel Cylinder Mounting Lockwasher	2	8E-05						
24	Wheel Cylinder Mounting Bolt	2	1C-508						
25	Adj. Screw Cover	1	886886						



CC-139

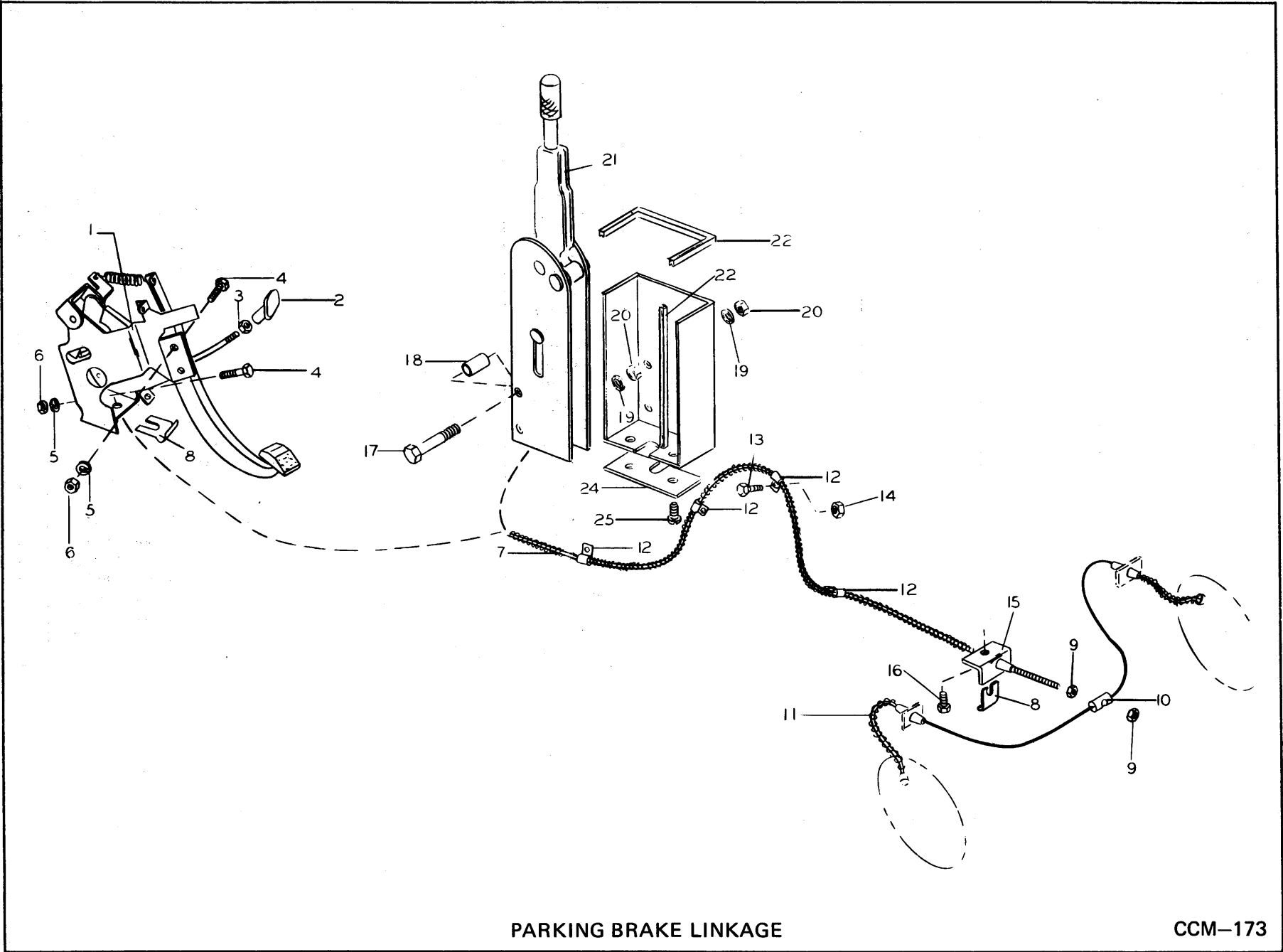
74

January 1, 1968

CCM-172



ITEM	BRAKE LINES (Use Illustration CCM-172)	REQUIRED	Serial No. 1-2200						ITEM
	DESCRIPTION								
3	Master Cylinder Outlet Elbow	1	62F-3						3
4	Master Cylinder Outlet Tube	1	336989						4
5	Fitting Gasket	2	613750						5
6	Fitting	2	620235						6
7	Fitting Gasket	2	620238						7
8	Fitting Bolt	2	692722						8
9	Hydrovac Outlet Tube	1	336990						9
10	R.H. Hose Bracket	1	1681510						10
11	L.H. Hose Bracket	1	1682399						11
12	Tee (L.H.)	1	876080						12
13	Left Front Brake Tube	1	1682140						13
14	Wire Spring	2	1685454						14
15	Wheel Brake Hose—Front	2	1681513						15
16	Gasket	2	830221						16
17	Brake Line Tube	1	336979						17
18	Right Front Brake Tube	1	1682460						18
19	Tee	1	798690						19
20	Tee Mounting Bolt	1	1C-608						20
21	Tee Mounting Lockwasher	1	4E-06						21
22	Tee Mounting Nut	1	1D-06						22
23	Brake Line Tube	1	336982						23
24	Brake Tube Grommet	16	742419						24
25	Tee	1	707415						25
26	Tube	1	336983						26
27	Hose	2	336976						27
28	Tube	1	336985						28
29	Tube	1	336984						29
30	Tube	1	336986						30
31	Master Cylinder to Tee Tube	1	1616225						31
32	Brake Line Tee	1	659910						32
33	Stop Light Switch	1	550307						33
34	Hose End Fitting	1	691938						34
35	Hose Clamp	2	17H-15						35
36	Hose—47"	1	711456						36
37	Hose End Fitting	1	351527						37
38	Grommet (Not Shown)	2	1021036						38
39	Nut (Not Shown)	2	1D-05						39
40	Washer (Not Shown)	2	4E-05						40
41	Bolt (Not Shown)	2	1C-512						41
42	Adapter (Right Hand) (Not Shown)	1	61F-3						42

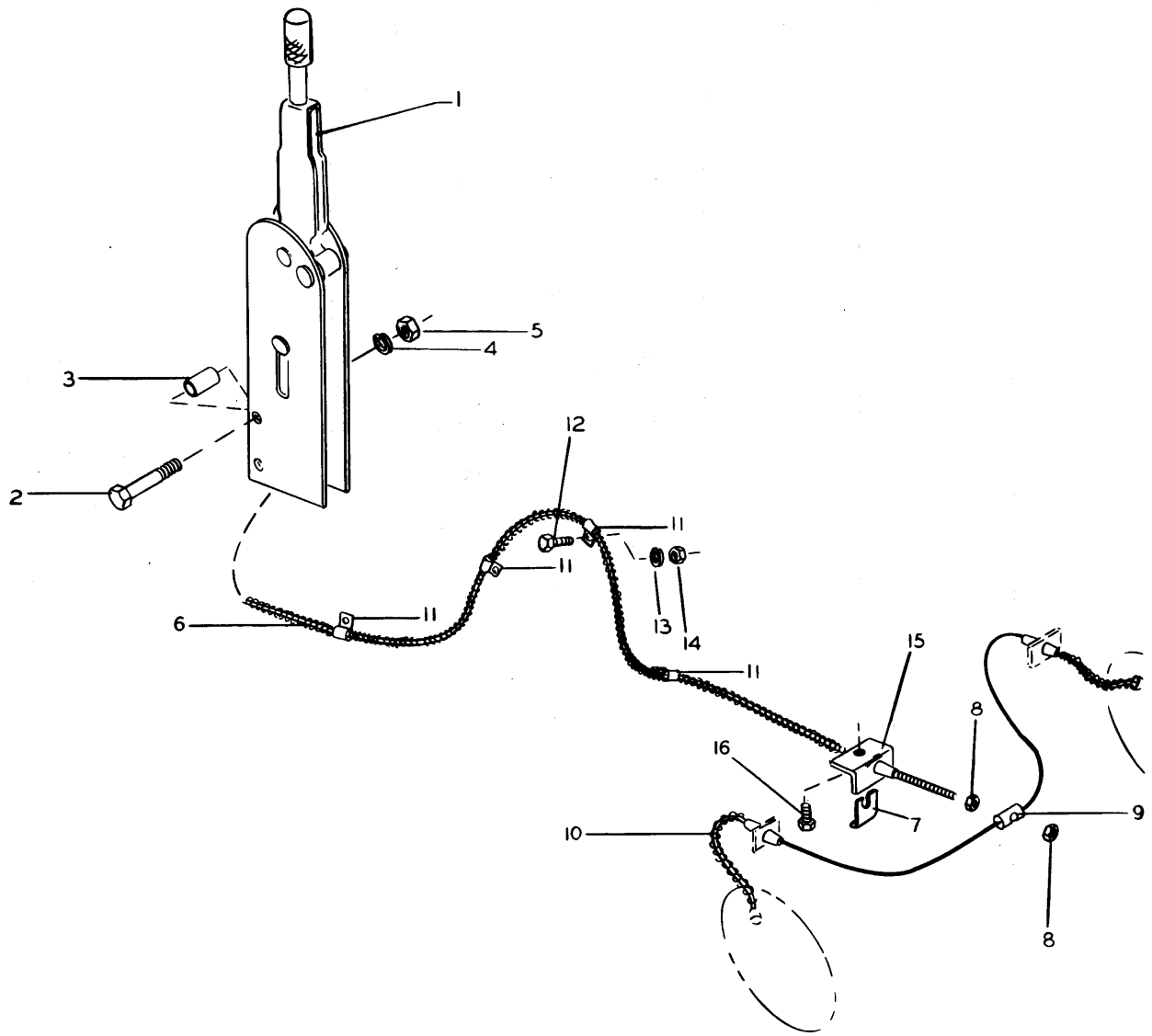


PARKING BRAKE LINKAGE

CCM-173

ITEM	PARKING BRAKE LINKAGE (Use Illustration CCM-173)	REQUIRED	Serial No. 1-300	Serial No. 301-500	Serial No. 501-905				ITEM
	DESCRIPTION								
1	Parking Brake Lever Assembly	1	336892	Not Used					1
2	Handle	1	337010	Not Used					2
3	Jam Nut	1	8D-05	Not Used					3
4	Mounting Bolt	4	1C-412	Not Used					4
5	Mounting Lockwasher	4	4E-04	Not Used					5
6	Mounting Nut	4	1D-04	Not Used					6
7	Front Cable Assembly	1	337028	1634337					7
8	Spring Washer	2	883469	1659323					8
9	Jam Nut	2	8D-05						9
10	Rear Cable Equalizer	1	337079						10
11	Rear Cable	1	337027						11
12	Brake Line Clip	4	5H-5						12
13	Clip Bolt	4	1C-408	1C-410					13
14	Clip Bolt Nut	4	1D-04						14
15	Bracket, Brake Cable Mounting	1	1698636						15
16	Brake Cable Mounting Bracket Bolt	1	COMM.						16
17	Brake Lever Mounting Bolt	2	Not Used	1C-572					17
18	Brake Lever Mounting Spacer	2	Not Used	647057					18
19	Brake Lever Mounting Lockwasher	4	Not Used	4E-05					19
20	Brake Lever Mounting Nut	4	Not Used	1D-05					20
21	Parking Brake Lever Assembly	1	Not Used	1634336					21
22	Brake Lever Cover Seal	25"	Not Used	1634352					22
23	Brake Lever Cover	1	Not Used	1634081					23
24	Brake Lever Bottom Cover	1	Not Used	1634082					24
25	Brake Lever Bottom Cover Screw	2	Not Used	58G-1008					25

CORTEZ DIVISION



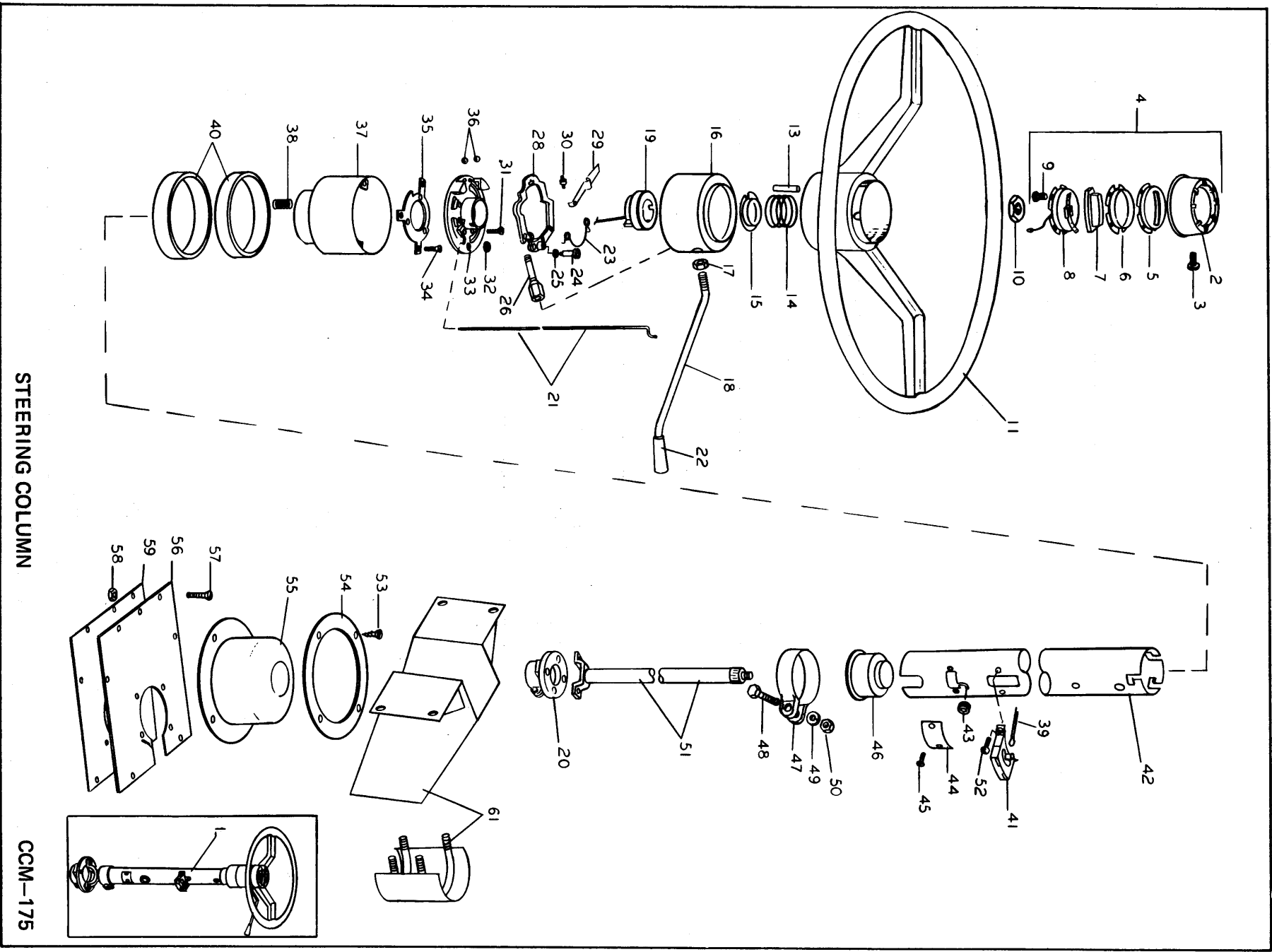
PARKING BRAKE LINKAGE

CCM-174

CORTEZ DIVISION

ITEM	PARKING BRAKE LINKAGE (Use Illustration CCM-174)	REQUIRED	Serial No. 906-2200						ITEM
	DESCRIPTION								
1	Parking Brake Lever Assembly	1	1634336						1
2	Brake Lever Mounting Bolt	2	1C-544						2
3	Brake Lever Mounting Spacer	2	647057						3
4	Brake Lever Mounting Lockwasher	4	4E-05						4
5	Brake Lever Mounting Nut	4	1D-05						5
6	Front Cable Assembly	1	1667890						6
7	Spring Washer	2	1659323						7
8	Jam Nut	2	8D-05						8
9	Rear Cable Equalizer	1	337079						9
10	Rear Cable	1	337027						10
11	Brake Line Clip	AR	5H-5						11
12	Clip Bolt	AR	1C-410						12
13	Lockwasher	AR	4E-04						13
14	Clip Bolt Nut	AR	1D-04						14
15	Bracket, Brake Cable Mounting	1	1698636						15
16	Brake Cable Mounting Bracket Bolt	1	COMM.						16

# CORTEZ DIVISION



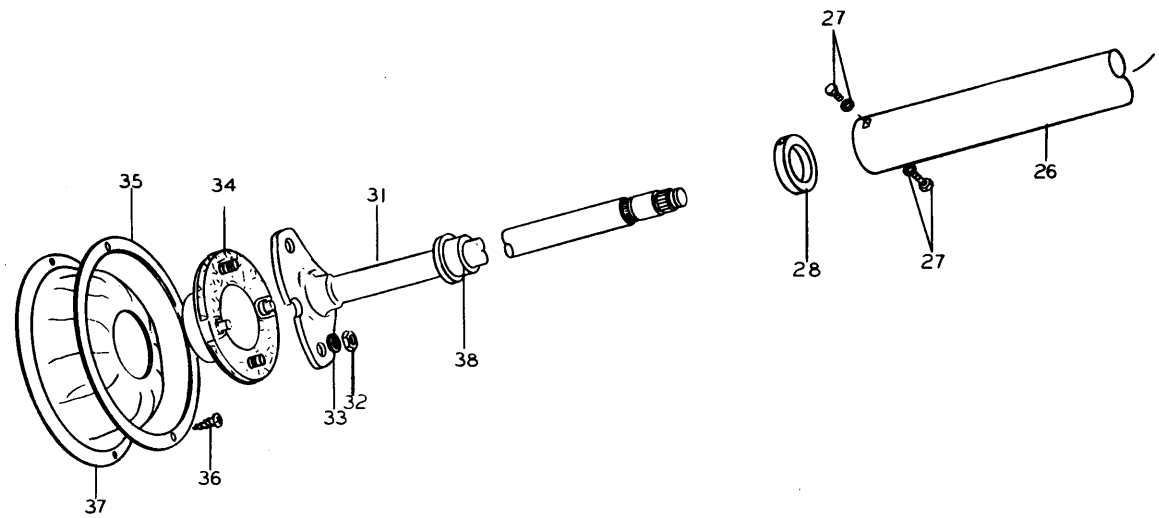
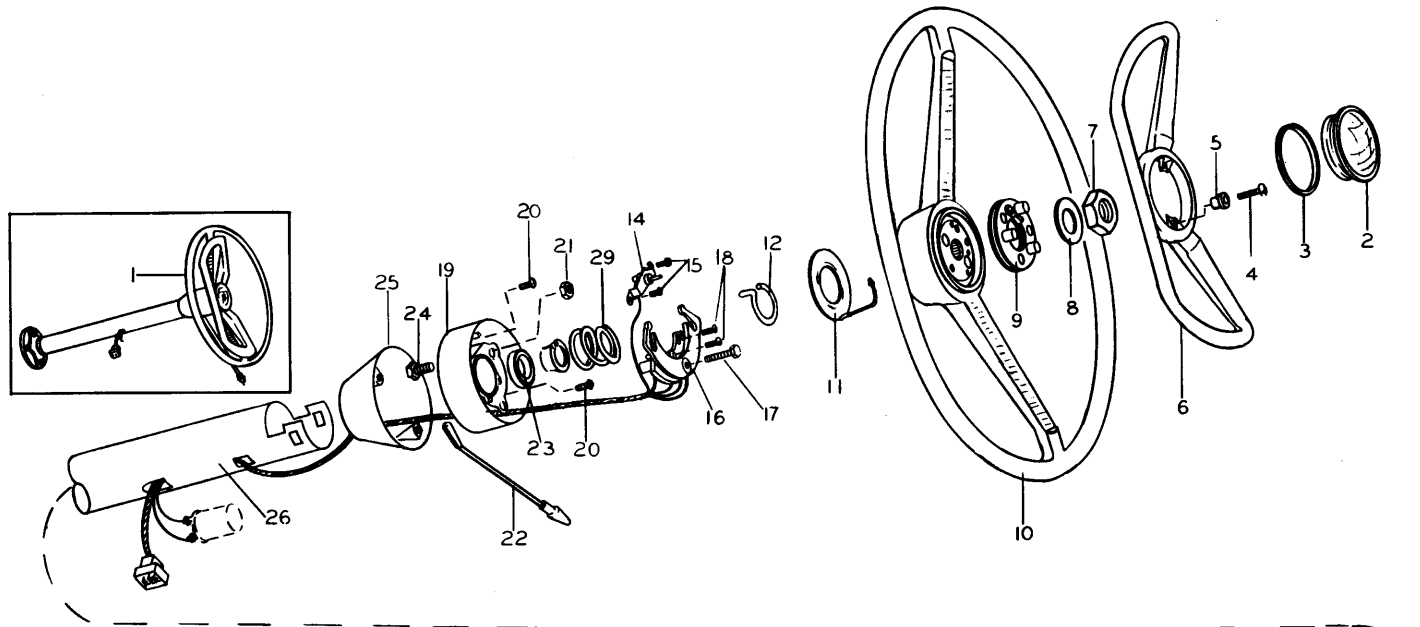
STEERING COLUMN

CCM-175

ITEM	STEERING COLUMN (Use Illustration CCM-175)	REQUIRED	Serial No. 1-100						ITEM
	DESCRIPTION								
1	Steering Column Assembly	1	1616242						1
2	Cap	1	892731						2
3	Screw	1	892732						3
4	Horn Button and Cap Assembly	1	1613939						4
5	Lens	1	1698546						5
6	Retainer Plate	1	892733						6
7	Horn Button	1	892734						7
8	Switch Contact Assembly	1	892735						8
9	Screw	3	892736						9
10	Nut	3	8D-08						10
11	Hand Wheel	1	1613940						11
13	Canceling Pin	1	1620306						13
14	Spring	1	891743						14
15	Seat	1	850757						15
16	Housing	1	892737						16
17	Nut	1	2D-04						17
18	Lever	1	1616269						18
19	Horn Cable and Bearing Assembly	1	892738						19
20	Coupling, Bolt, & Washer Kit	1	892144						20
21	Rod	1	892739						21
22	Knob	1	1616268						22
23	Canceling Spring	1	892740						23
24	Pivot Post	1	892741						24
25	Pivot Post Washer	1	892742						25
26	Adaptor	1	1616270						26
28	Yoke	1	892743						28
29	Detent Spring	1	892744						29
30	Roller	1	892745						30
31	Screw	3	892746						31
32	Lockwasher	1	17E-10						32
33	Bearing Plate	1	892747						33
34	Screw	3	892748						34
35	Lock Plate	1	892749						35
36	Ball	2	10J-04						36
37	Spacer	1	892750						37
38	Spring	1	892751						38
39	Switch Lever	1	892752						39
40	Sleeve	2	892753						40
41	Turn Signal Switch	1	1616201						41
42	Jacket	1	892754						42

ITEM	STEERING COLUMN (CONT'D) (Use Illustration CCM-175)	REQUIRED	Serial No. 1-100						ITEM
	DESCRIPTION								
43	Grommet	1	1305381						43
44	Cover Plate	1	1616241						44
45	Screw	2	65G-604						45
46	Lower Bearing Assembly	1	891742						46
47	Clamp	1	892755						47
48	Bolt	1	2C-632						48
49	Lockwasher	1	9E-06						49
50	Nut	1	2D-06						50
51	Shaft and Flange	1	891741						51
52	Screw	2	65G-604						52
53	Screw	4	32G-1008						53
54	Retainer	1	1698681						54
55	Boot	1	1616272						55
56	Plate	1	337046						56
57	Screw	7	3G-1008						57
58	Nut	7	337063						58
59	Gasket	1	337062						59
60	Screw	2	18G-1008						60
61	Steering Column Bracket Assembly	1	1613936						61



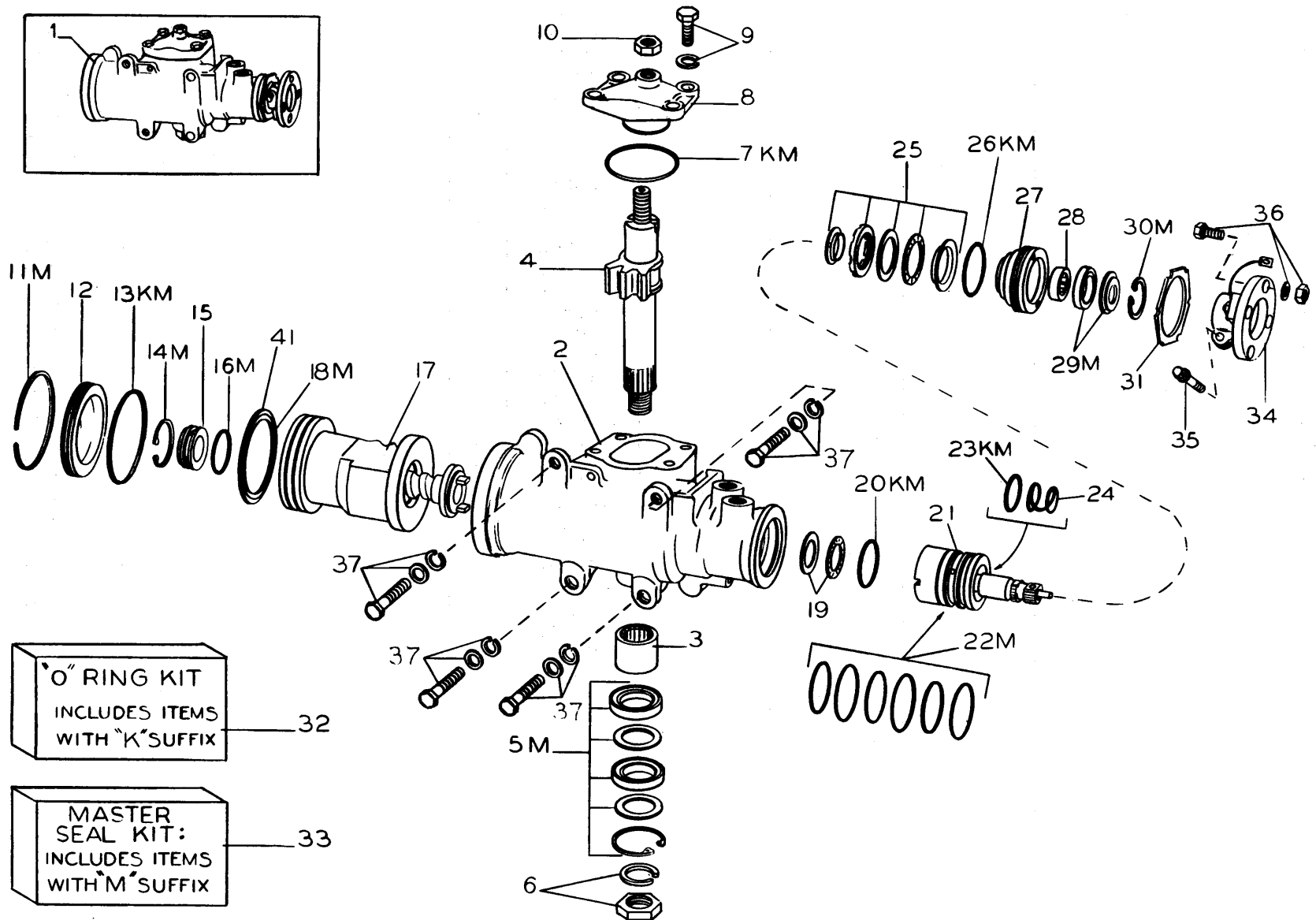
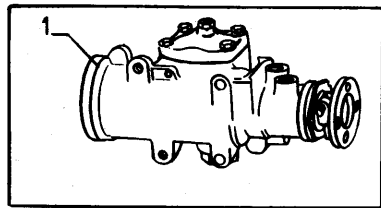


STEERING COLUMN

CCM-176

ITEM	STEERING COLUMN (Use Illustration CCM-176)	REQUIRED	Serial No. 101-2200						ITEM
	DESCRIPTION								
1	Steering Column Complete	1	1629168						1
2	Emblem	1	893846						2
3	Retaining Ring	1	893864						3
4	Screw	3	79G-610J						4
5	Spacer	3	893847						5
6	Horn Ring	1	893848						6
7	Handwheel Nut	1	8D-10						7
8	Handwheel Washer	1	616879						8
9	Horn Switch Assembly	1	893849						9
10	Handwheel	1	893850						10
11	Horn Plate Assembly	1	893851						11
12	Directional Selector Cam	1	896161						12
14	Horn Brush Assembly	1	893852						14
15	Screw	2	65G-604						15
16	Directional Selector Switch	1	893853						16
17	Screw	1	45G-824J						17
	Lockwasher	1	8E-04						
18	Screw	2	65G-606						18
19	Flange	1	893854						19
20	Screw	2	65G-1006J						20
21	Nut	2	29D-04						21
22	D.S. Lever Assembly	1	893855						22
23	Bearing	1	893856						23
24	Bolt	2	893857						24
25	Housing	1	893858						25
26	Outer Tube Assembly	1	893859						26
27	Screw	2	14G-1408						
	Lockwasher	2	8E-04						27
28	Bearing	1	893860						28
29	Spring	1	893861						29
30	Sleeve	1	893862						30
31	Shaft & Bushing Assembly	1	893863						31
32	Nut	2	2D-05J						32
33	Lockwasher	2	23E-05						33
34	Flange & Insulator	1	889051						34
35	Steering Column Boot Retainer	1	1698681						35
36	Retainer Screw	7	32G-1008						36
37	Steering Column Boot	1	1631340						37
38	Bushing	1	893907						38

CORTEZ DIVISION



O' RING KIT  
INCLUDES ITEMS  
WITH "K" SUFFIX 32

MASTER  
SEAL KIT:  
INCLUDES ITEMS  
WITH "M" SUFFIX 33

STEERING GEAR

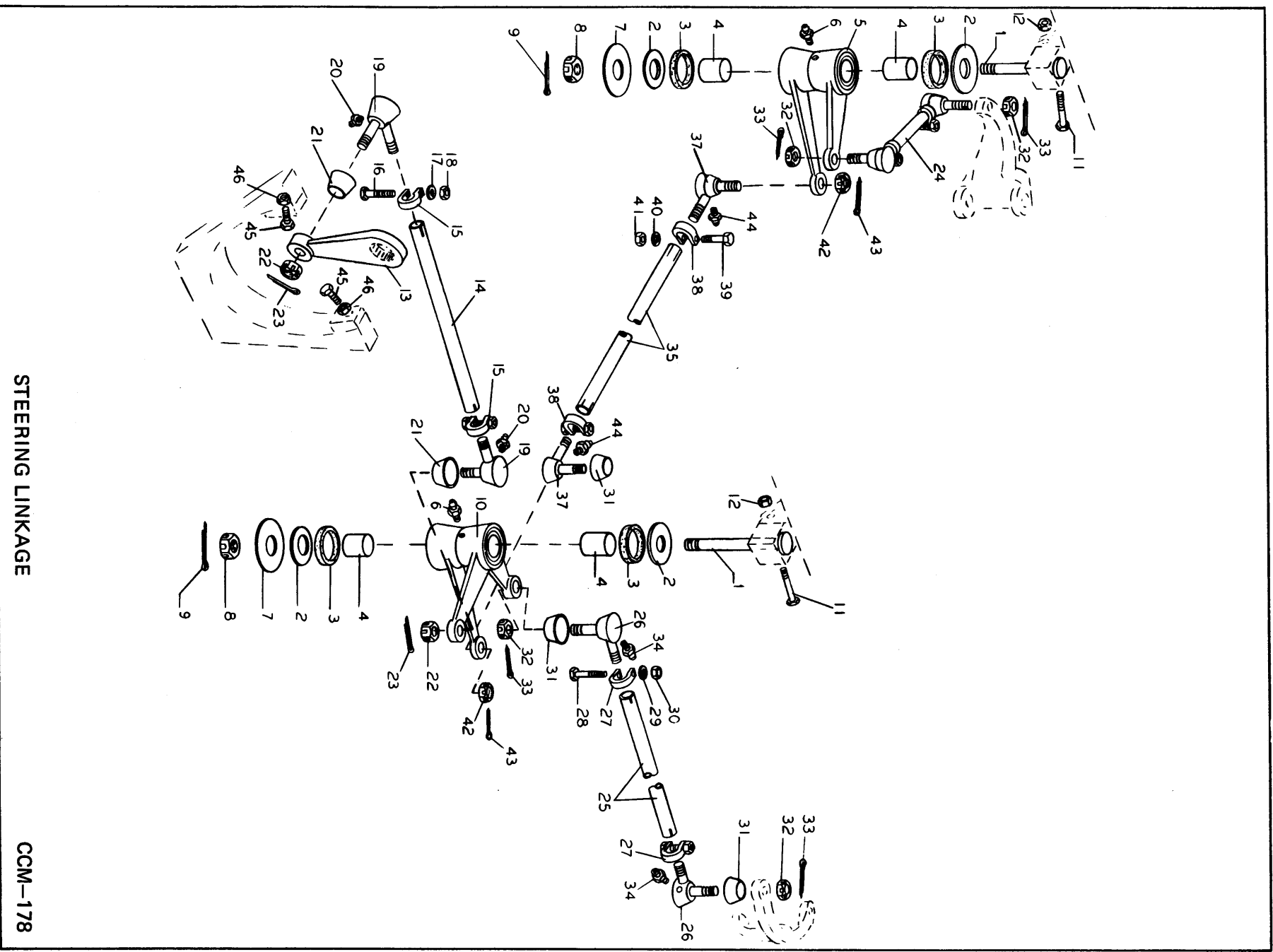
ITEM	STEERING GEAR (Use Illustration CCM-177)	REQUIRED	Serial No.	Serial No.					ITEM
	DESCRIPTION		1-500	501-2200					
1	Power Steering Gear Assembly	1	1616211	1654109					1
2	Housing	1	891745						2
3	Bearing	1	657949						3
4	Shaft and Gear	1	883329						4
5	Shaft Seal Kit	1	883328						5
6	Nut	1	865801						6
	Lockwasher	1	2E-14						
7	Seal (Ref: Items 32 or 33)	1	N.S.S.						7
8	Cover and Bushing	1	883314						8
9	Bolt	4	1C-616						9
	Lockwasher	4	4E-06						
10	Nut	1	889108						10
11	Retainer Ring (Ref: Item 33)	1	N.S.S.						11
12	End Plug	1	883321						12
13	Seal (Ref: Items 32 or 33)	1	N.S.S.						13
14	Ring (Ref: Item 33)	1	N.S.S.						14
15	Plug	1	889050						15
16	Seal (Ref: Item 33)	1	N.S.S.						16
17	Ball Nut Rack Assembly	1	891746	889053					17
18	Seal (Ref: Item 33)	1	N.S.S.						18
19	Thrust Bearing	1	883322						19
20	Seal (Ref: Items 33 or 32)	1	N.S.S.						20
21	Valve Assembly	1	891748	883323					21
22	Valve Seal Kit	1	883333						22
23	Seal (Ref: Items 32 or 33)	1	N.S.S.						23
24	Spring	1	883324						24
25	Bearing Kit	1	883334						25
26	Seal (Ref: Item 29)	1	N.S.S.						26
27	Adjuster Plug	1	883325						27
28	Bearing	1	873224						28
29	Seal Kit	1	883330						29
30	Retainer Ring (Ref: Item 33)	1	N.S.S.						30
31	Nut	1	892136						31
32	"O" Ring Seal Kit	1	889055						32
33	Master Seal Kit	1	889054						33
34	Flange Assembly	1	891740						34
35	Clamping Bolt	1	72G-620						35
36	L.W., Nut, Bolt & Cplg. Serv. Kit	1	892144						36
37	Bolt	3	21C-732						37
	Lockwasher	3	4E-07						

CC-139

87

January 1, 1968

# CORTEZ DIVISION



STEERING LINKAGE

CCM-178

ITEM	STEERING LINKAGE (Use Illustration CCM-178)	REQUIRED	Serial No. 1-2200						ITEM
	DESCRIPTION								
1	Idler Pivot Pin	2	336916						1
2	Thrust Washer	4	784115						2
3	Felt Washer	4	11E-11						3
4	Idler Bushing	4	336914						4
5	Idler Lever Assembly—R.H. (Includes Item 4)	1	336910						5
6	Grease Fitting	2	10H-35						6
7	Washer	2	619028						7
8	Nut	2	4D-16						8
9	Cotter	2	1F-736						9
10	Idler Lever Assembly—L.H. (Includes Item 4)	1	336911						10
11	Idler Stop Screw	2	15G-632						11
12	Idler Stop Screw Nut	2	7D-06						12
13	Pitman Arm	1	336915						13
14	Drag Link Assembly (Includes Items 15 thru 22)	1	336924						14
15	Clamp	2	103404						15
16	Bolt	2	891989						16
17	Lockwasher	2	3E-07						17
18	Nut	2	2D-07						18
19	Rod End—R.H. Thread	1	103405						19
	Rod End—L.H. Thread	1	103406						
20	Grease Fitting	2	10H-25						20
21	Dust Cover	2	111563						21
22	Nut	2	891988						22
23	Cotter	2	1F-424						23
24	Outer Link Assembly (Includes Items 25 thru 32)	2	336923						24
25	Center Rod (Ref: Item 24)	1	N.S.S.						25
26	Rod End—R.H. Thread	1	103406						26
	Rod End—L.H. Thread	1	103406						27
27	Clamp	2	103404						28
28	Bolt	2	891989						29
29	Lockwasher	2	3E-07						30
30	Nut	2	2D-07						31
31	Dust Cover	2	111563						32
32	Nut	2	891988						33
33	Cotter	4	1F-424						34
34	Grease Fitting	4	10H-25						

ITEM	STEERING LINKAGE (CONT'D) (Use Illustration CCM-178)	REQUIRED	Serial No. 1-2200						ITEM
	DESCRIPTION								
35	Tie Rod Assembly (Includes Items 36 thru 42)	1	336922						35
36	Dust Cover	2	111563						36
37	Rod End—R.H. Thread	1	103405						37
	Rod End—L.H. Thread	1	103406						
38	Clamp	2	103404						38
39	Bolt	2	891989						39
40	Lockwasher	2	3E-07						40
41	Nut	2	2D-07						41
42	Nut	2	891988						42
43	Cotter	2	1F-424						43
44	Grease Fitting	2	10H-25						44
45	Pitman Arm Stop Bolt	2	1305959						45
46	Pitman Arm Stop Bolt Nut	2	1D-08						46

CORTEZ DIVISION

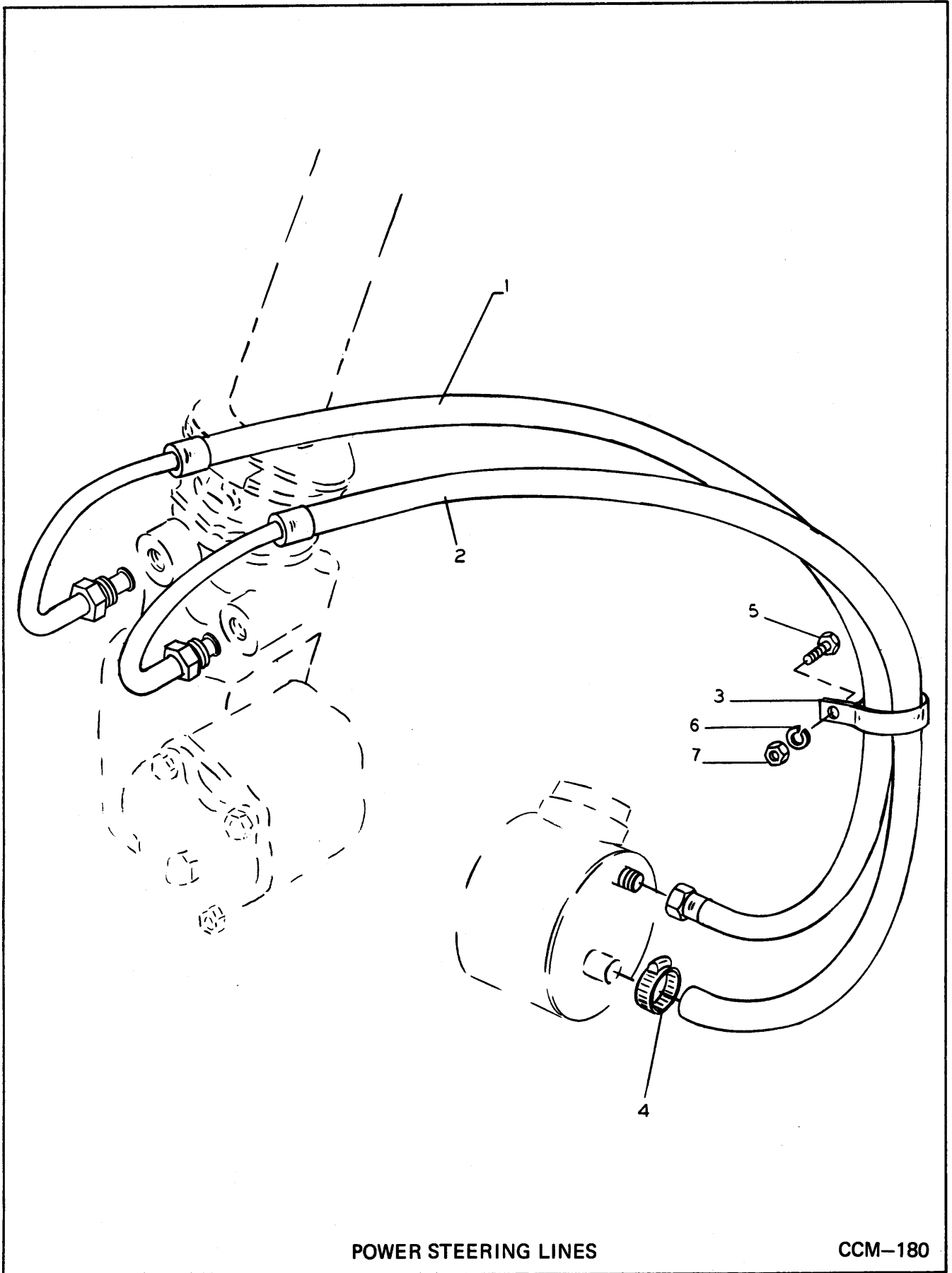




# CORTEZ DIVISION

ITEM	DESCRIPTION	REQUIRED	Serial No.
1	Power Steering Pump Assembly	1	337004
2	Cap	1	891731
3	Pump Port Fitting	1	892092
4	Fitting Seal (Ref: Item 27)	1	N.S.S.
5	Control Valve Assembly	1	891738
6	Flow Control Spring	1	942639
7	Rear Mounting Stud	1	892094
8	Stud Seal (Ref: Item 27)	1	N.S.S.
9	Pump Reservoir Assembly	1	892095
10	Retaining Ring	1	892096
11	End Plate	1	892097
12	Pump Pressure Plate	1	892098
13	Dowel Pin	2	892099
14	Pressure Plate Spring	2	891734
15	Pump Ring (Ref: Item 26)	1	N.S.S.
16	Pump Vane Kit	1	891737
17	Pump Rotor (Ref: Item 26)	1	N.S.S.
18	Thrust Plate	1	892100
19	Pump Shaft	1	891733
20	Shaft Key	1	6J-404
21	Body Seal (Ref: Item 27)		N.S.S.
22	Pump Body Assem. (Ref: Item 1)		N.S.S.
23	Reservoir Seal (Ref: Item 27)		N.S.S.
24	Pump Shaft Seal	1	944027
25	Pump Port Seal (Ref: Item 27)	1	N.S.S.
26	Pump Cartridge Kit	1	891736
27	Gasket Seal Kit	1	891735
28	Pump Pulley	1	337003
29	Pulley Washer	1	774336
30	Pulley Nut	1	66D-08
31	Pump Pulley Hub	1	336893
32	Pulley to Hub Washer	4	664422
33	Pulley to Hub Lockwasher	4	4E-05
34	Pulley to Hub Bolt	4	1C-510

# CORTEZ DIVISION

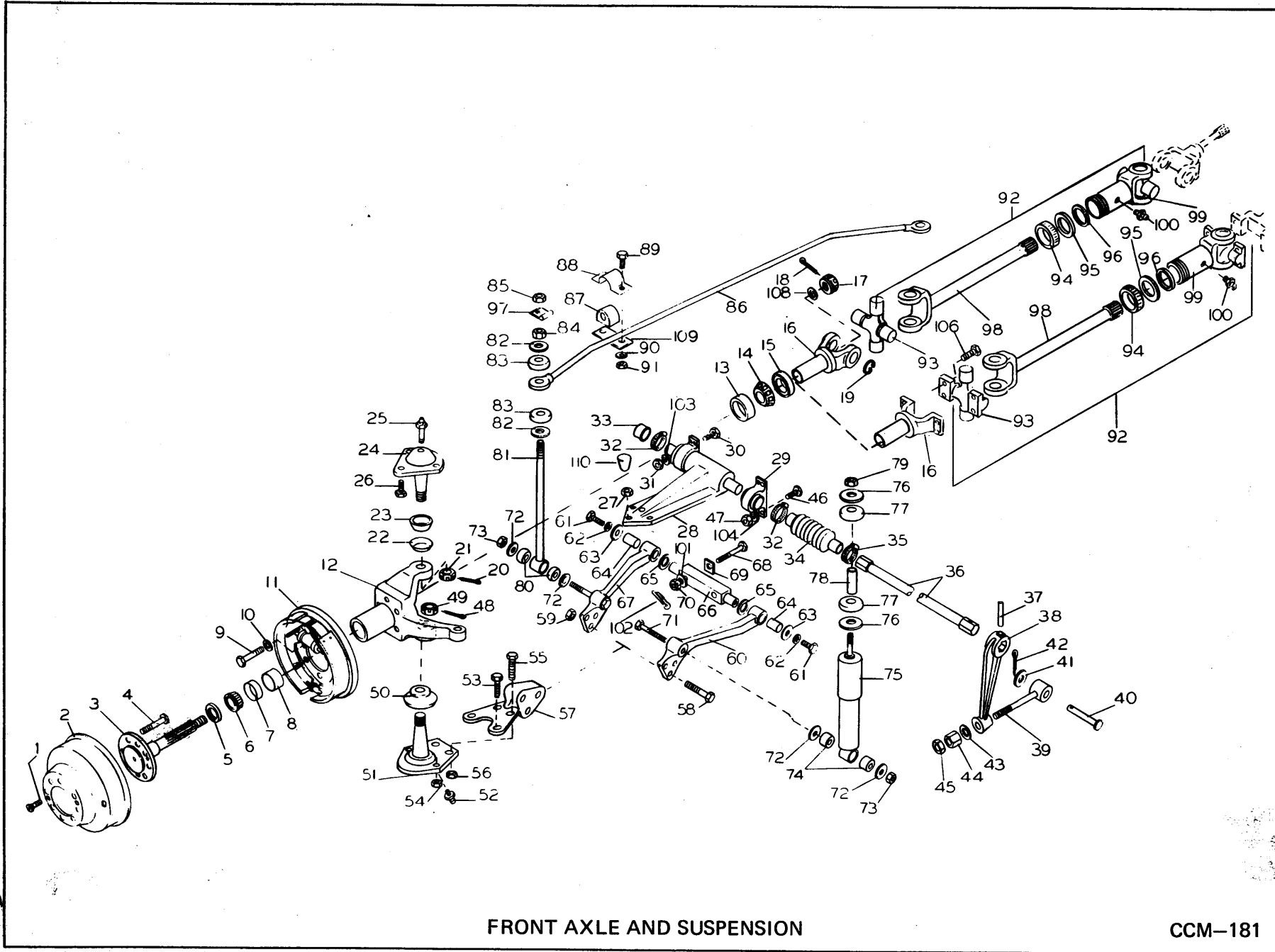


POWER STEERING LINES

CCM-180

**CORTEZ DIVISION**

ITEM	POWER STEERING LINES (Use Illustration CCM-180)	REQUIRED	Serial No. 1-2200						ITEM
	DESCRIPTION								
1	Pressure Hose	1	337066						1
2	Return Hose	1	337067						2
3	Clamp	1	31H-33						3
4	Hose Clamp	1	4H-12						4
5	Bolt	1	1C-408						5
6	Lockwasher	1	4E-04						6
7	Nut	1	1D-04						7



FRONT AXLE AND SUSPENSION

CCM-181

CORTEZ DIVISION

ITEM	FRONT AXLE AND SUSPENSION (Use Illustration CCM-181)	REQUIRED	Serial No.	Serial No.	Serial No.	Serial No.	ITEM
	DESCRIPTION		1-400	401-1250	1251-1800	1801-2200	
1	Brake Drum Attaching Screw	4	7G-612				1
2	Brake Drum	2	116358			120026	2
3	Spindle	2	N.S.S.				3
4	Wheel Mounting Bolt	16	116037			120025	4
5	Spindle Oil Seal—Outer	2	113424				5
6	Outer Spindle Bearing Cone	2	743778				6
7	Outer Spindle Bearing Cup	2	743777				7
8	Outer Spindle Bearing Spacer Kit	2	815846				8
	Spacer	1	118969				
	Spacer	1	118970				
	Spacer	1	118971				
	Spacer	1	118972				
	Spacer	1	118973				
	Spacer	1	118974				
	Spacer	1	118975				
	Spacer	1	118976				
	Spacer	1	118977				
9	Brake Attaching Bolt	10	100332				9
10	Brake Attaching Lockwasher	10	4E-08		119092		10
11	Brake Assembly—R.H.	1	113388		119093		11
	Brake Assembly—L.H.	1	113389				
12	Spindle Support—R.H.						12
	(Includes Items 7 and 13)	1	113419				
	Spindle Support—L.H.						
	(Includes Items 7 and 13)	1	113420				
13	Inner Spindle Bearing Cup	2	658998				13
14	Inner Spindle Bearing Cone	2	648334				14
15	Spindle Oil Seal—Inner	2	113426				15
16	Drive Flange	2	N.S.S.				16
17	Spindle Nut	2	119041				17
18	Spindle Nut Lock Pin	2	1310349				18
19	"U" Joint Snap Ring	2	855953	899640			19
	"U" Joint Snap Ring	2	899640	899640			
20	Ball Joint Cotter	2	1F-420				20
21	Ball Joint Nut	2	6D-09				21
22	Ball Joint Dust Shield	2	114004				22
23	Ball Joint Dust Cover	2	114003				23
24	Ball Joint Assy. (Incl. Items 21, 22 and 23)	2	113401				24
25	Ball Joint Lub Fitting	2	1300991				25
26	Ball Joint Attaching Bolt	6	2C-620				26
27	Ball Joint Attaching Nut	6	45D-06				27

CORTEZ DIVISION

ITEM	FRONT AXLE AND SUSPENSION (CONT'D) (Use Illustration CCM-181)	REQUIRED	Serial No.	Serial No.	Serial No.	Serial No.	ITEM
	DESCRIPTION		1-400	401-905	906-1800	1801-2200	
28	Upper Arm	2	113395				28
29	Upper Arm Mounting Bushing	4	113398				29
30	Upper Arm Attaching Bolt—Upper	8	17C-732	18C-732			30
31	Upper Arm Attaching Nut—Upper	8	44D-07	45D-07			31
32	Mounting Bushing Cover Clamp	4	538335				32
33	Mounting Bushing Cap	2	337083				33
34	Torsion Bar Boot	2	337078				34
35	Torsion Bar Boot Clamp	2	521874				35
36	Torsion Bar—R.H.	1	336902			1689395	36
	Torsion Bar—L.H.	1	336903			1689394	
37	Torsion Bar Pin	2	17J-428				37
38	Torsion Bar Adjusting Arm	2	336904				38
39	Torsion Bar Adjusting Screw	2	336905				39
40	Adjusting Screw Pin	2	1304093				40
41	Adjusting Screw Washer	2	664427				41
42	Adjusting Screw Cotter	2	1F-416				42
43	Adjusting Screw Nut Washer	2	664427				43
44	Adjusting Screw Nut	2	38D-10		1D-10		44
45	Adjusting Screw Lock Nut	2	7D-10		1D-10		45
46	Upper Arm Attaching Bolt—Lower	4	1C-1032	2C-1032			46
47	Upper Arm Attaching Nut—Lower	4	44D-10	45D-10			47
48	Ball Joint Cotter	2	1F-420				48
49	Ball Joint Nut	2	114007				49
50	Ball Joint Dust Cover	2	114006				50
51	Ball Joint Assem. (Includes Items 49, 50 and 52)	2	113415				51
52	Ball Joint Lub Fitting	2	10H-35				52
53	Ball Joint Mounting Bolt	4	2C-620				53
54	Ball Joint Mounting Nut	4	45D-06				54
55	Ball Joint Mounting Bolt	4	2C-824				55
56	Ball Joint Mounting Nut	4	45D-08				56
57	Bracket, Ball Joint	2	116151				57
58	Ball Joint Bracket Mounting Bolt	6	2C-856				58
59	Ball Joint Bracket Mounting Nut	6	45D-08				59
60	Lower Arm—Right Front & Left Rear (Includes Item 64)	2	114934				60
61	Arm Retaining Bolt	4	2C-820				61
62	Arm Retaining Lockwasher	4	4E-08				62
63	Arm Washer—Outer	4	713264				63
64	Arm Bushing	4	113407				64
65	Arm Washer—Inner	4	113408				65

ITEM	FRONT AXLE AND SUSPENSION (CONT'D) (Use Illustration CCM-181)	REQUIRED	Serial No. 1-400	Serial No. 401-2200				ITEM
	DESCRIPTION							
66	Arm Mounting Shaft	2	113406		118836			66
67	Lower Arm—Right Rear & Left Front (Includes Item 64)	2	114935					67
68	Mounting Shaft Bolt	4	1628328					68
69	Mounting Shaft Shim	AR	113423					69
	Mounting Shaft Shim	AR	116849					70
70	Mounting Shaft Nut	4	6D-12					
71	Shock Mounting Bolt	4	114940					71
72	Shock Mounting Washer	8	704026					72
73	Shock Mounting Nut	4	45D-08					73
74	Shock Cushion—Lower	4	336879					74
75	Front Shock Absorber (Incl. 76-79)	2	336881					75
76	Shock Cushion Upper Washer	4	337022					76
77	Shock Cushion—Upper	4	337019					77
78	Shock Cushion—Upper Sleeve	2	337021					78
79	Shock Upper Mounting Nut	2	45D-06					79
80	Stabilizer Link Lower Cushion	4	336879					80
81	Stabilizer Link	2	336918					81
82	Stabilizer Link Upper Cushion Washer	4	336949					82
83	Stabilizer Link Upper Cushion	4	431451					83
84	Stabilizer Link Upper Nut	2	2D-07					84
85	Stabilizer Link Upper Jam Nut	2	8D-07					85
86	Stabilizer Assembly (Includes Item 87)	1	336909					86
87	Stabilizer Bushing	2	431452					87
88	Stabilizer Mounting Bracket	2	336919					88
89	Stabilizer Mounting Bracket Bolt	4	1C-616					89
90	Stabilizer Mounting Bracket Washer	4	664423					90
91	Stabilizer Mounting Bracket Nut	4	17D-3					91
92	Universal Drive Shaft Assembly (Includes Items 93 thru 96)	2	113416	117548				92
93	Center Cross Kit	2	893998	893998				93
94	Slip Tube Cap	1	855849	894002				94
95	Slip Tube Seal	1	855950	894001				95
96	Slip Tube Washer	1	855850	942750				96
97	Brake Line Clamp	2	30H-32					97
98	Yoke Shaft	2	894000					98
99	Slip Yoke	2	892208	893999				99
100	Lub Fitting	1	10H-25	10H-35				100
101	Mounting Shaft Bolt Washer	4	664428					101
102	Mounting Shaft Bolt Cotter	4	1F-428					102
103	Upper Arm Att. Bolt Washer	8	664424					103

ITEM	FRONT AXLE AND SUSPENSION (CONT'D) (Use Illustration CCM-181)	REQUIRED	Serial No. 1-905	Serial No. 906-1800	Serial No. 1801-2200	ITEM
	DESCRIPTION					
104	Upper Arm Att. Bolt Washer Axle End Assembly—R.H. (Includes Items 1 thru 19 and 92)	4	1629057			104
	Axle End Assembly—L.H. (Includes Items 1 thru 19 and 92)	1	N.S.S.			
106	Drive Shaft Attaching Bolt Axle End Assembly—R.H. (Includes Items 1-19 and 92)	6	Not Used	886014		106
	Axle End Assembly—L.H. (Includes Items 1-19 and 92)	1	N.S.S.			
108	Splined Washer	2	119042			108
109	Base Plate	2	1673949			109
110	Support Arm Bumper	2	1673429			110
111	Flat Washer (Not Shown)	2	664403			111
112	Nut (Not Shown)	2	64D-06			112
113	Spindle & Flange Set (Includes Items 3, 4 and 16)	2	121034		120893	113
114	Bolt (Not Shown)	2	1C-628	Not Used		114
115	Nut (Not Shown)	2	61D-06	Not Used		115
116	Tie Rod Clamps (Not Shown)	2	106324	Not Used		116
117	Washer (Not Shown)	2	4E-06	Not Used		117

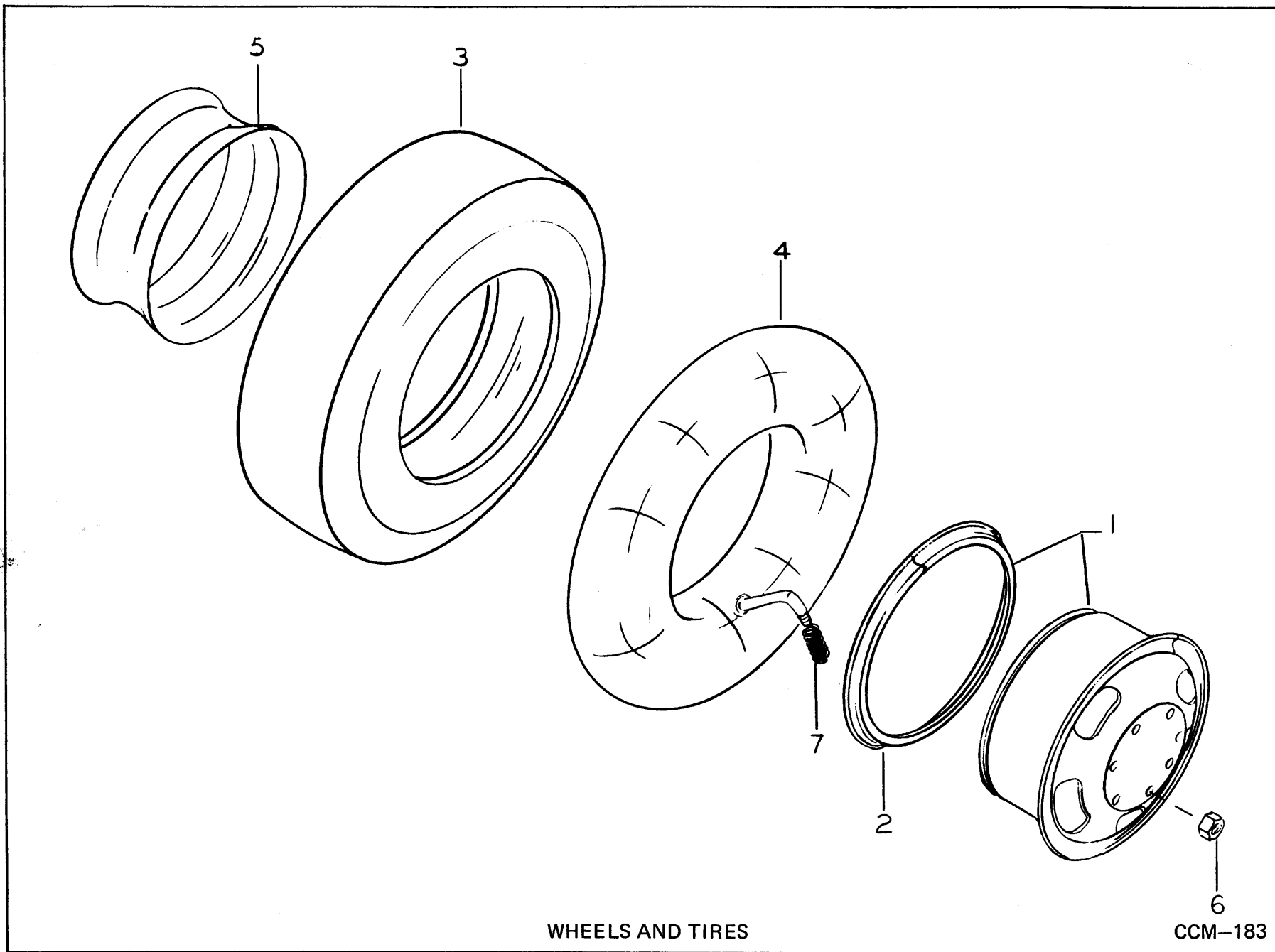
CORTEZ DIVISION





ITEM	REAR SUSPENSION (Use Illustration CCM-182)	REQUIRED	Serial No. 1-170	Serial No. 171-905	Serial No. 906-1250	Serial No. 1251-1800	Serial No. 1801-2200	ITEM
	DESCRIPTION							
1	Rear Suspension Arm—R.H.	1	336930					1
	Rear Suspension Arm—L.H.	1	336929					
2	Suspension Arm Bumper	2	336906				1673492	2
3	Rear Spring—R.H.	1	1613942	1631376				3
	Rear Spring—L.H.	1	1613942	1631375				
4	Rear Spring Insulator	2	336940					4
5	Shock Mounting Bolt	4	12G-840		699717			5
6	Shock Mounting Washer	4	704026		763523			6
7	Shock Mounting Rubber Bushing	8	336879		Not Used			7
8	Shock Mounting Spacer	4	336937		Not Used			8
9	Shock Mounting Nut	4	29D-08		26D-10			9
10	Rear Shock Absorber—R.H.	1	336941					10
	Rear Shock Absorber—L.H.	1	1616292	336941				
	Load Leveler Shock Absorber	2	1616292					
11	Suspension Arm Thrust Washer	4	336931					11
12	Suspension Arm Silent Block	4	336932					12
13	Suspension Arm Shim	AR	1629276					13
14	Silent Block Mounting Washer	8	664425					14
15	Silent Block Mounting Lockwasher	8	4E-08					15
16	Silent Block Mounting Nut	8	2D-08					16
17	Rear Spindle	2	114126			119094		17
19	Brake Assembly—R.H.	1	336896			119095		19
	Brake Assembly—L.H.	1	336895					
20	Brake and Spindle Mounting Bolt	14	18C-844					20
21	Brake and Spindle Mounting Nut	14	114133					21
22	Silent Block Mounting Stud	8	663975		1662961			22
23	Hub Oil Seal	2	110898					23
24	Hub Inner Bearing Cone	2	743762					24
25	Hub Inner Bearing Cup	2	743761					25
26	Hub and Drum (Includes Items 25, 27 and 34)	2	114121				120019	26
27	Hub Outer Bearing Cup	2	713024					27
28	Hub Outer Bearing Cone	2	713023					28
29	Hub and Drum Washer	2	107756					29
30	Hub and Drum Nut	2	100575					30
31	Hub Cap	2	100703					31
32	Hub and Drum Cotter	2	1F-432					32
33	Wheel Mounting Nut	16	114133				1693655	33
34	Wheel Mounting Bolt	16	114125				120032	34

CORTEZ DIVISION



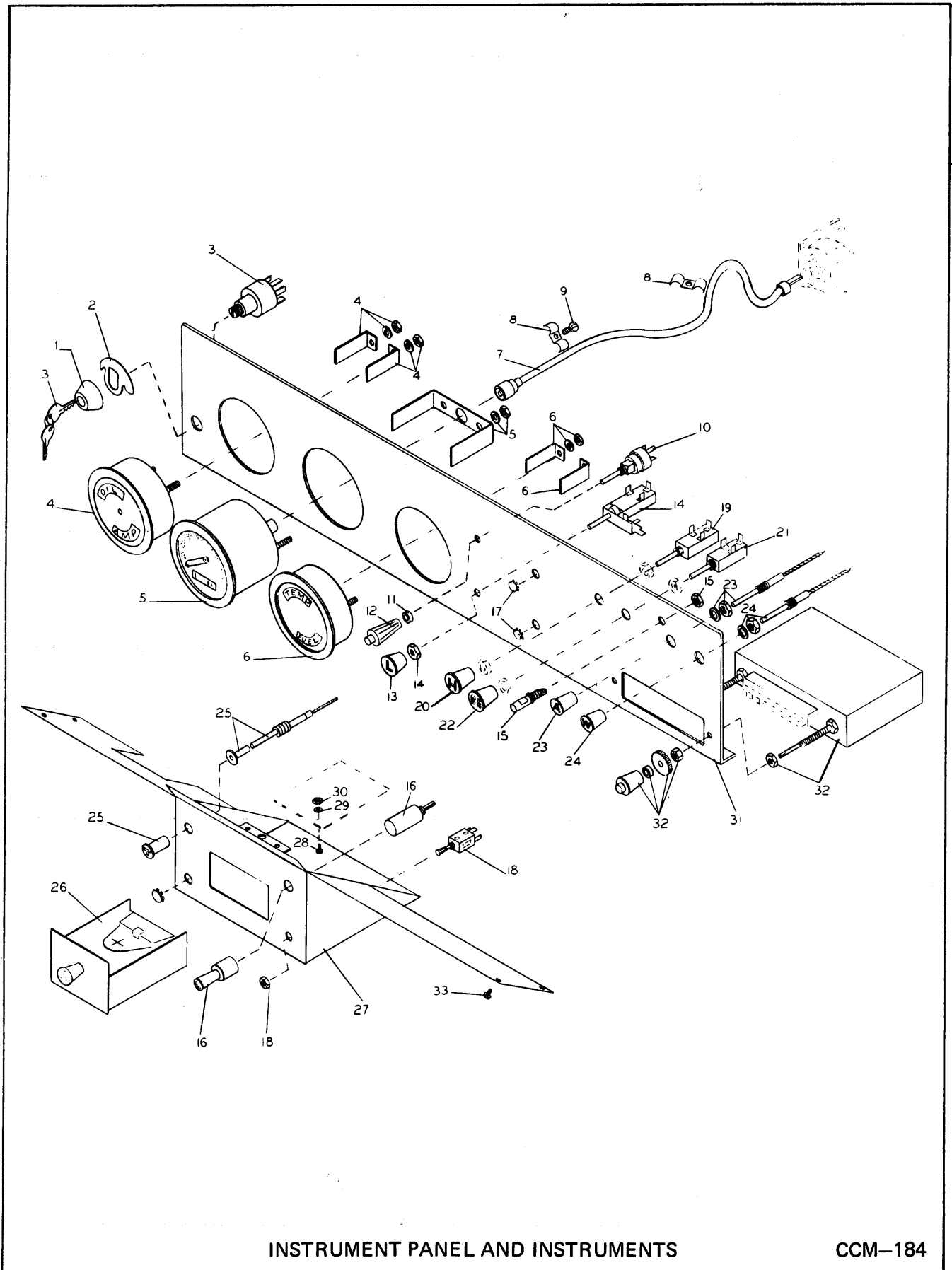
WHEELS AND TIRES

CCM-183

ITEM	WHEELS AND TIRES (Use Illustration CCM-183)	REQUIRED	Serial No. 1-500	Serial No. 501-625	Serial No. 626-905	Serial No. 906-1800	Serial No. 1801-2200	ITEM
	DESCRIPTION							
1	Wheel Assembly (Includes Item 2)	5	336950				1693817	1
2	Wheel Side Ring	5	865389					2
3	Tire 7:50 x 16 8 Ply	5	687959			1309956		3
4	Tube	5	1304520	1307178	1308208			4
5	Flap	5	695869					5
6	Wheel Mounting Nut	32	114133				1693655	6
7	Spring	5	1654175	1654175	Not Used	Not Used	Not Listed	7

CORTEZ DIVISION

# CORTEZ DIVISION

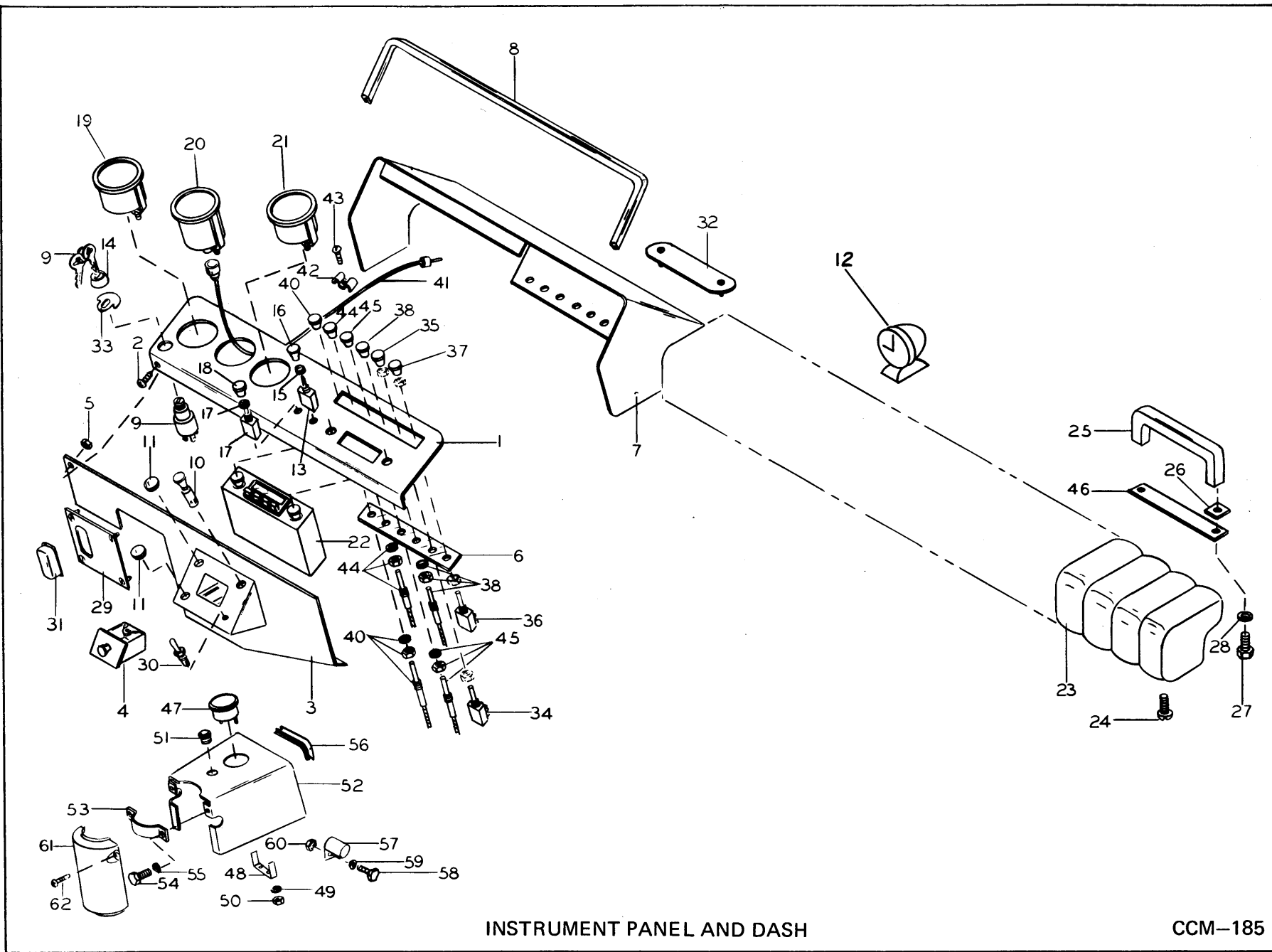


INSTRUMENT PANEL AND INSTRUMENTS

CCM-184

ITEM	INSTRUMENT PANEL & INSTRUMENTS (Use Illustration CCM-184)	REQUIRED	Serial No. 1-100						ITEM
	DESCRIPTION								
1	Switch Retainer	1	431516						1
2	Switch Plate	1	1620313						2
3	Ignition & Starter Switch w/Keys	1	1614429						3
4	Oil Press. & Ammeter Gauge w/Attaching Parts	1	1614433						4
5	Speedometer w/Attaching Parts	1	1614432						5
6	Temp. & Fuel Gauge w/Attaching Parts	1	1614425						6
7	Speedometer Cable	1	337095						7
8	Cable Clip	4	5H-5						8
9	Cable Clip Screw	4	61G-408						9
10	Wiper Switch	1	1616291						10
11	Nut	1	1616290						11
12	Knob	1	1616294						12
13	Headlight Switch Knob	1	1616219						13
14	Headlight Switch w/Nut	1	1616301						14
15	Panel Light	1	1616346						15
16	Cigar Lighter	1	1616332						16
17	Panel Plug Button	2	1620315						17
18	Courtesy Light Switch	1	337104						18
19	Heater Switch	1	1616221						19
20	Heater Switch Knob	1	1616302						20
21	Defroster Switch	1	1616221						21
22	Defroster Switch Knob	1	1616303						22
23	Heater Water Control	1	1616313						23
24	Temperature Control	1	1616315						24
25	Fresh Air Control	1	1616314						25
26	Ash Tray	1	1613941						26
27	Lower Panel Assembly	1	1613937						27
28	Screw	3	4G-405						28
29	Lockwasher	3	4E-04						29
30	Nut	3	1D-04						30
31	Instrument Panel	1	337116						31
32	Radio Kit	1	1616238						32
33	Lower Panel Screw	20	58G-606						33

CORTEZ DIVISION



INSTRUMENT PANEL AND DASH

CCM-185

CC-139

108

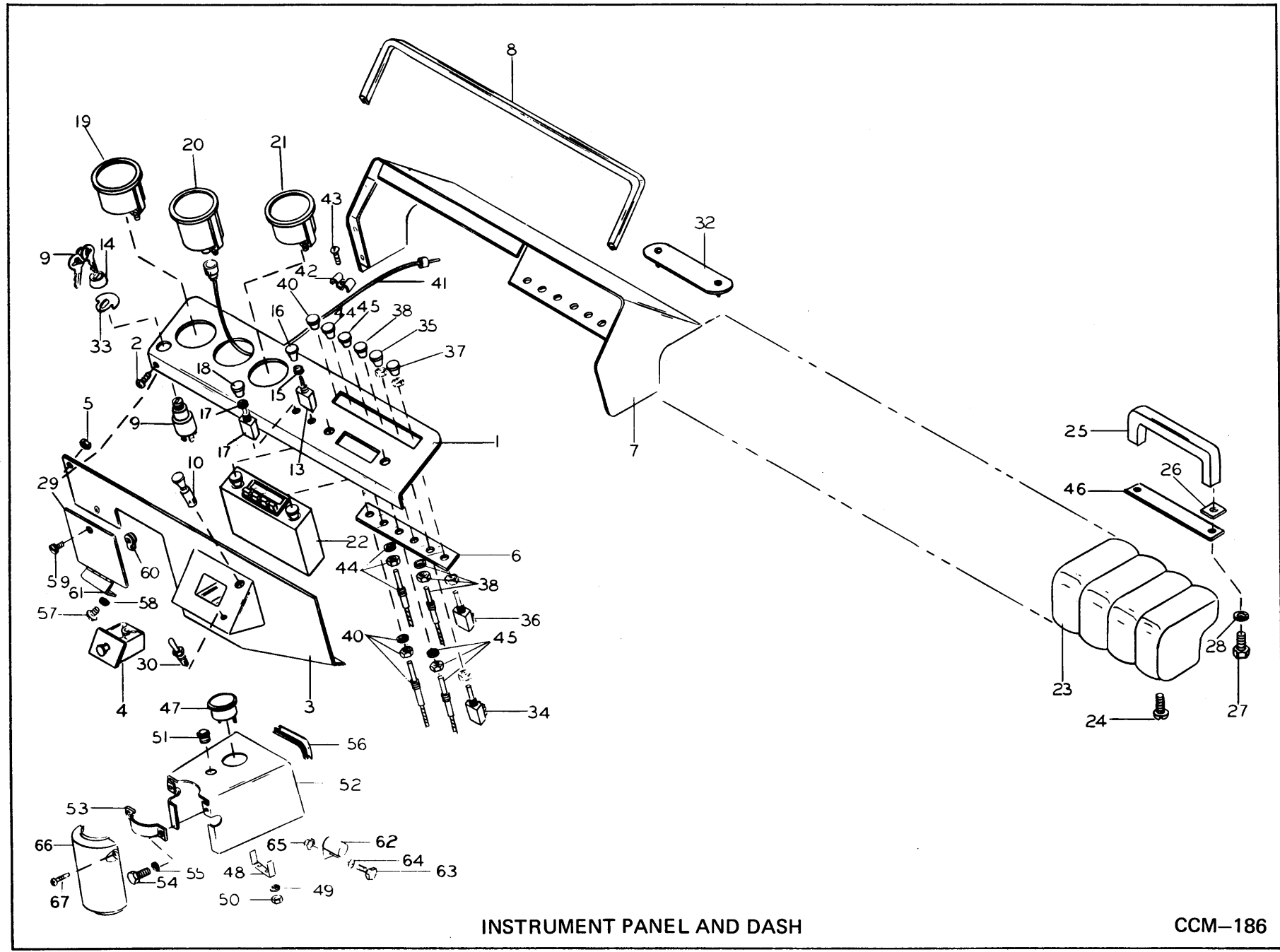
January 1, 1968

ITEM	INSTRUMENT PANEL (Use Illustration CCM-185)	REQUIRED	Serial No. 101-350	Serial No. 351-500					ITEM
	DESCRIPTION								
1	Instrument Panel	1	1630615						1
2	Instrument Panel Screw	6	58G-612N						2
3	Cover Plate Console	1	1634457						3
4	Ash Tray	1	1613941						4
5	Speed Nut	6	337145						5
6	Plastic Panel	1	1628389						6
7	Instrument Panel Housing	1	1634464						7
8	Vinyl Trim	38"	1623857						8
9	Ignition Switch w/Keys	1	1614429						9
10	Lighter	1	1616332						10
11	Plug Button	2	1306022						11
12	Electric Clock	1	1634266						12
13	Windshield Wiper Switch	1	1616291						13
14	Ignition Switch Retainer	1	431516						14
15	Switch Mounting Nut	1	1616290						15
16	Switch Knob and Button	1	1634099						16
17	Headlight Switch	1	1616219						17
18	Headlight Switch Knob	1	1616301						18
19	Oil Pressure & Ammeter Gauge	1	1630621	1634487					19
20	Speedometer	1	1614432						20
21	Fuel & Temperature Gauge	1	1630620						21
22	Radio and Antenna Kit	1	1616238						22
23	Padded Dash—(Green-Blue-Gold)	1	1629211	1633490					23
	Padded Dash—Brown	1	1629212						
24	Padded Dash Pop Rivet	6	1629116						24
25	Grab Handle	1	1630600						25
26	Grab Handle Gasket	2	1630601						26
27	Grab Handle Screw	2	2G-1010						27
28	Grab Handle Lockwasher	2	15E-10						28
29	Cover Plate	1	1634450						29
30	Courtesy Light Switch	1	337104						30
31	Front Courtesy Light	2	337114						31
32	Master Cylinder Cover Assembly	1	1698755						32
33	Switch Plate	1	1620313						33
34	Heater Switch	1	1616221						34
35	Heater Switch Knob	1	1616302						35
36	Defroster Switch	1	1616221						36
37	Defroster Switch Knob	1	1616303						37
38	Water Heater Vent Control	1	1616313						38



ITEM	INSTRUMENT PANEL (CONT'D) (Use Illustration CCM-185)	REQUIRED	Serial No. 1-100	Serial No. 101-350	Serial No. 351-500				ITEM
	DESCRIPTION								
39	Panel Light	1	1616346	Not Used					39
	Panel Light Bulb	1	Not Used	733626					
40	Throttle Control	1	1629101						40
41	Speedometer Cable	1	337095						41
42	Cable Clip	4	5H-5						42
43	Cable Clip Screw	4	61G-408						43
44	Fresh Air Control	1	1616314						44
45	Heater Temperature Control	1	1616315						45
46	Grab Handle Backing Strip	1			1305164				46
47	Battery Charge Indicator	1			1637578				47
48	Strap	1			601212				48
49	Lockwasher	2			4E-10				49
50	Nut	2			14D-10				50
51	Battery Indicator Push Button	1			301963				51
52	Bracket, Steering Column	1			1649348				52
53	Steering Column Clamp	1			1630616				53
54	Bolt	2			73G-512				54
55	Lockwasher	2			8E-05				55
56	Moulding	AR			1624739				56
57	Directional Light Flasher	1			1616230				57
58	Bolt	1			26G-406				58
59	Lockwasher	1			4E-04				59
60	Nut	1							60
61	End Cap—Plastic	1			1638232				61
62	Screw	2			58G-1012N				62

CORTEZ DIVISION



CORTEZ DIVISION

INSTRUMENT PANEL AND DASH

# CORTEZ DIVISION

ITEM	INSTRUMENT PANEL (Use Illustration CCM-186)	REQUIRED	Serial No. 501-905						ITEM
	DESCRIPTION								
1	Instrument Panel	1	1630615						1
2	Instrument Panel Screw	6	58G-612N						2
3	Cover Plate Console	1	1654131						3
4	Ash Tray	1	1613941						4
5	Speed Nut	6	337145						5
6	Plastic Panel	1	1649322						6
7	Instrument Panel Housing	1	1649323						7
8	Vinyl Trim	38"	1623857						8
9	Ignition Switch w/Keys	1	1614429						9
10	Lighter	1	1616332						10
13	Windshield Wiper Switch	1	1616291						13
14	Ignition Switch Retainer	1	431516						14
15	Switch Mounting Nut	1	1616290						15
16	Switch Knob and Button	1	1634099						16
17	Headlight Switch	1	1616219						17
18	Headlight Switch Knob	1	1616301						18
19	Oil Pressure & Ammeter Gauge	1	1649360						19
20	Speedometer	1	1614432						20
21	Fuel & Temperature Gauge	1	1649359						21
22	Radio and Antenna Kit	1	1638334						22
23	Padded Dash—Blue Unit	1	1651028						23
	Padded Dash—Brown Unit	1	1651029						
24	Padded Dash Pop Rivet	6	1629116						24
25	Grab Handle	1	1630600						25
26	Grab Handle Gasket	2	1630601						26
27	Grab Handle Screw	2	2G-1010						27
28	Grab Handle Lockwasher	2	15E-10						28
29	Fuse Access Door	1	1654126						29
30	Courtesy Light Switch	1	337104						30
31	Front Courtesy Light	2	337114						31
32	Master Cylinder Cover Assembly	1	1698755						32
33	Switch Plate	1	1620313						33
34	Heater Switch	1	1616221						34
35	Heater Switch Knob	1	1629141						35
36	Defroster Switch	1	1616221						36
37	Defroster Switch Knob	1	1629141						37
38	Water Heater Vent Control	1	1629104						38
40	Throttle Control	1	1638343						40
41	Speedometer Cable	1	337095						41
42	Cable Clip	4	5H-5						42

CC-139

113

January 1, 1968

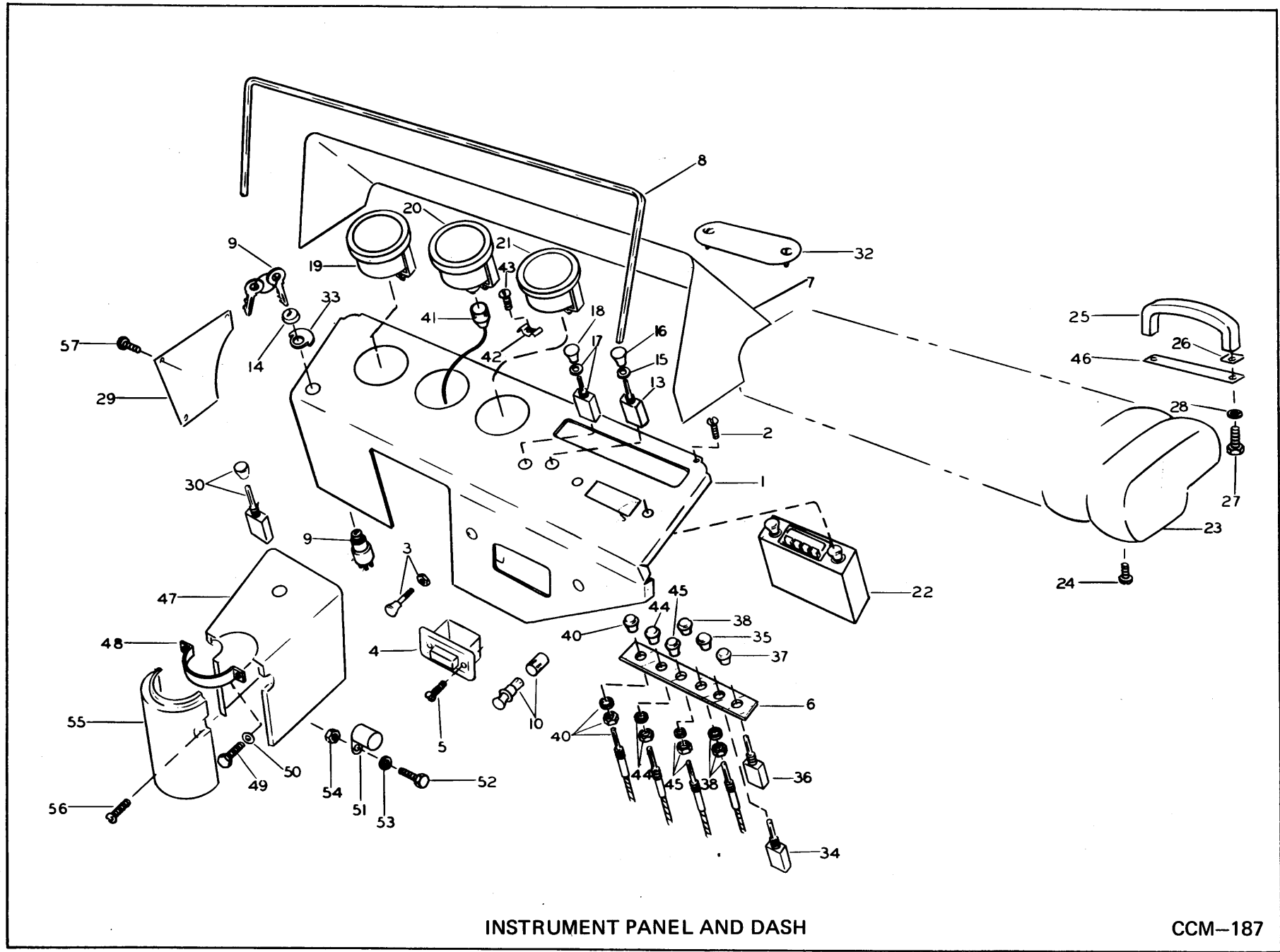
CORTEZ DIVISION

ITEM	INSTRUMENT PANEL (CONT'D) (Use Illustration CCM-186)	REQUIRED	Serial No. 501-905						ITEM
	DESCRIPTION								
43	Cable Clip Screw	4	61G-408						43
44	Fresh Air Control	1	1629102						44
45	Heater Temperature Control	1	1629103						45
46	Grab Handle Backing Strip	1	1305164						46
47	Battery Charge Indicator	1	1637578						47
48	Strap	1	601212						48
49	Lockwasher	2	4E-10J						49
50	Nut	2	14D-10J						50
51	Battery Indicator Push Button	1	301963						51
52	Bracket, Steering Column	1	1649348						52
53	Steering Column Clamp	1	1630616						53
54	Bolt	2	73G-512J						54
55	Lockwasher	2	8E-05						55
56	Moulding	AR	1624739						56
57	Access Door Screw	2	59G-1008						57
58	Access Door Screw Washer	2	664419						58
59	Door Latch	1	1654120						59
60	Door Latch Receptacle	1	1654122						60
61	Door Hinge	1	1654123						61
62	Directional Light Flasher	1	1616230						62
63	Bolt	1	26G-406J						63
64	Lockwasher	1	4E-04						64
65	Nut	1	2D-04J						65
66	End Cap—Plastic	1	1638232						66
67	Screw	2	58G-1012N						67

CC-139

114

January 1, 1968



INSTRUMENT PANEL AND DASH

CCM-187

CC-139

116

January 1, 1968

ITEM	INSTRUMENT PANEL (Use Illustration CCM-187)	REQUIRED	Serial No. 906-1800	Serial No. 1801-2200					ITEM
	DESCRIPTION								
1	Instrument Panel	1	1672263						1
2	Instrument Panel Screw	4	63G-810N						2
3	Speaker Control Switch (Included w/Speaker Kit)		N.S.S.						3
4	Ash Tray	1	1633475						4
5	Screw	2	32G-812						5
6	Plastic Panel	1	1649322						6
7	Instrument Panel Housing	1	1673319	1721514					7
8	Vinyl Trim	38"	1670179						8
9	Ignition Switch w/Keys	1	1614429						9
10	Lighter	1	1616332						10
13	Windshield Wiper Switch	1	1616291						13
14	Ignition Switch Retainer	1	431516						14
15	Switch Mounting Nut	1	1616290						15
16	Switch Knob and Button	1	1634099						16
17	Headlight Switch	1	1616219						17
18	Headlight Switch Knob	1	1616301						18
19	Oil Pressure & Ammeter Gauge	1	1634487						19
20	Speedometer	1	1614432						20
21	Fuel & Temperature Gauge	1	1649359						21
22	Radio and Antenna Kit	1	1638334						22
23	Padded Dash—Green Unit	1	1651028						23
	Padded Dash—Brown Unit	1	1651029						
24	Padded Dash Pop Rivet	6	1629116						24
25	Grab Handle	1	1630600						25
26	Grab Handle Gasket	2	1630601						26
27	Grab Handle Screw	2	2G-1010						27
28	Grab Handle Lockwasher	2	15E-10						28
29	Fuse Cover	1	1673333						29
30	Emergency Flasher Switch	1	1667534						30
32	Master Cylinder Cover Assembly	1	1673410						32
33	Switch Plate	1	1620313						33
34	Heater Switch	1	1616221						34
35	Heater Switch Knob	1	1629141						35
36	Defroster Switch	1	1616221						36
37	Defroster Switch Knob	1	1629141						37
38	Water Heater Vent Control	1	1629104						38
40	Throttle Control	1	1638343						40
41	Speedometer Cable	1	337095	1706736					41
	Speedometer Core	1		1723658					

CORTEZ DIVISION

CORTEZ DIVISION

ITEM	INSTRUMENT PANEL (CONT'D) (Use Illustration CCM-187)	REQUIRED	Serial No. 906-2200						ITEM
	DESCRIPTION								
42	Cable Clip	2	30H-33						42
43	Cable Clip Screw	2	61G-408						43
44	Fresh Air Control	1	1629102						44
45	Heater Temperature Control	1	1629103						45
46	Grab Handle Backing Strip	1	1305164						46
47	Bracket, Steering Column	1	1628376						47
48	Steering Column Clamp	1	1630616						48
49	Bolt	2	73G-512J						49
50	Lockwasher	2	8E-05						50
51	Direction and Emergency Light Flasher	2	1616230						51
52	Bolt	1	26G-406J						52
53	Lockwasher	1	4E-04						53
54	Nut	1	2D-04J						54
55	End Cap—Plastic	1	1638232						55
56	Screw	2	58G-1012N						56

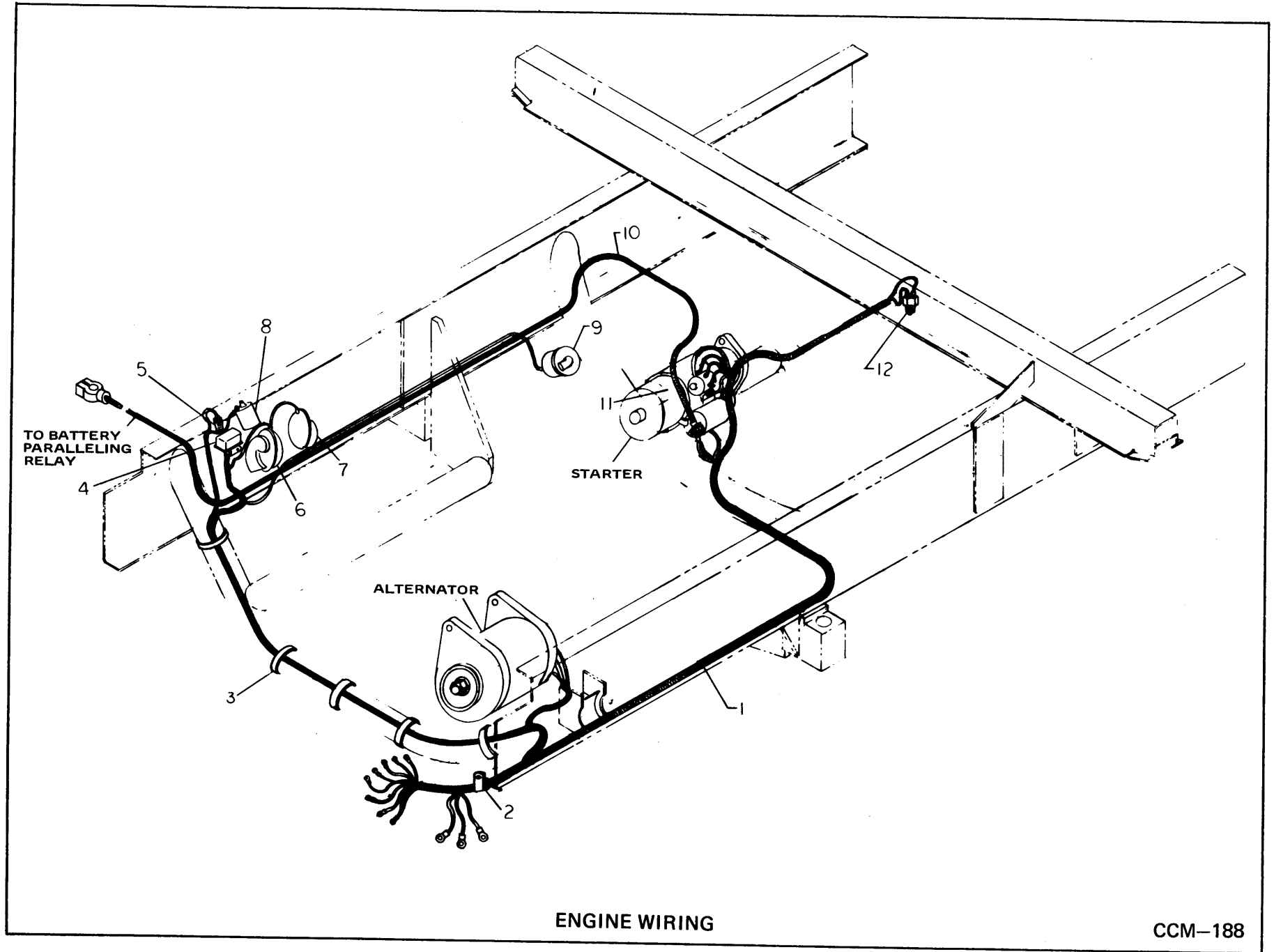
CC-139

118

January 1, 1968

13

13



CCM-188

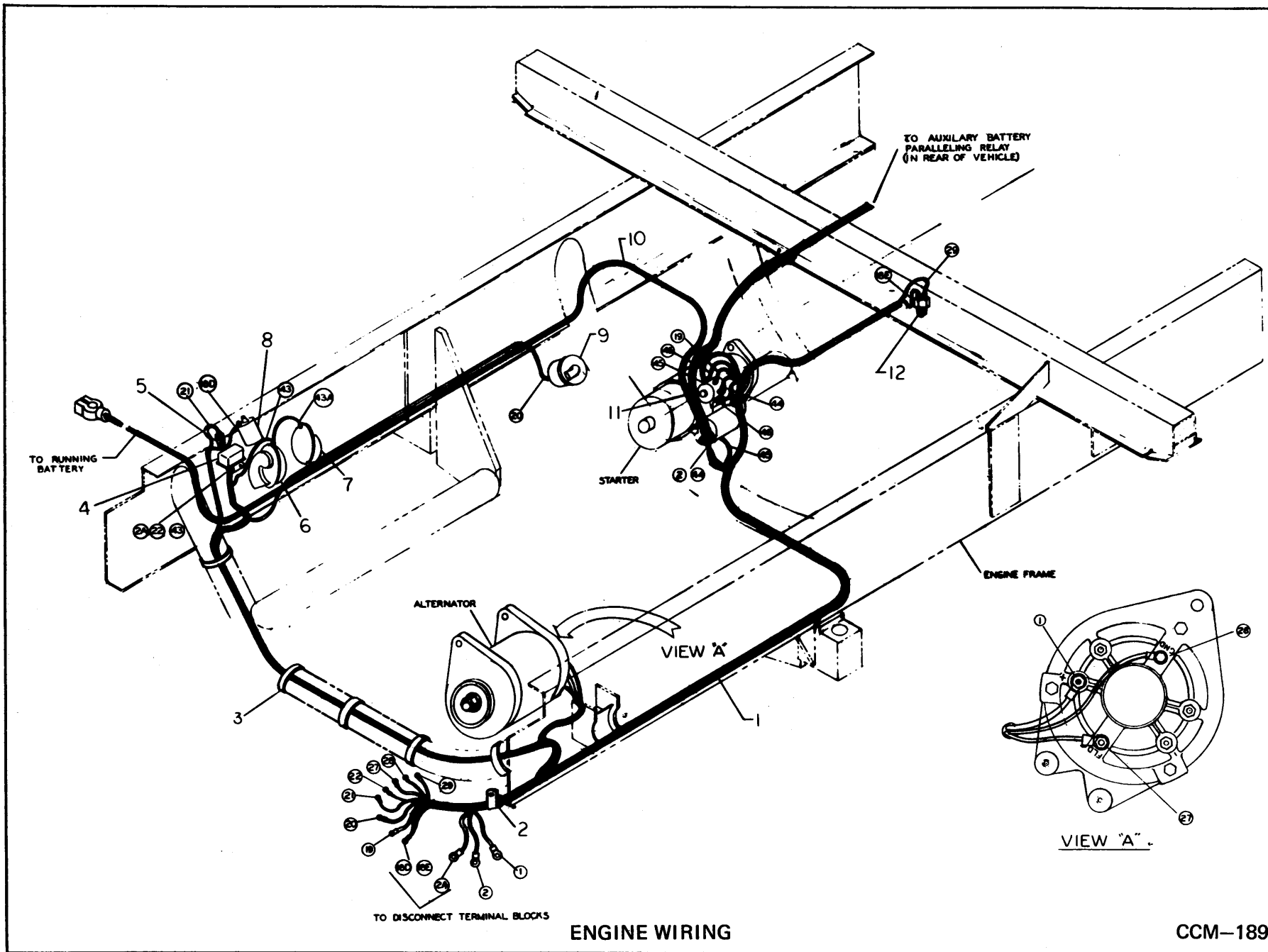
CC-139

120

January 1, 1968



ITEM	ENGINE WIRING (Use Illustration CCM-188)	REQUIRED	Serial No. 1-100	Serial No. 101-350					ITEM
	DESCRIPTION								
1	Engine Compartment Wiring Harness	1	1651049	1629079					1
2	Harness Clip	1	1634040						2
3	Rubber Strap	5	694483						3
4	Horn Relay	1	733623						4
5	Temperature Sender	1	1633425						5
6	Horn—High	1	1620308						6
7	Horn—Low	1	1620309						7
8	Coil—Furnished with Engine	1							8
9	Oil Pressure Sender	1	333508						9
10	Cable Battery Paralleling (Relay to Solenoid)	1	1305606						10
11	Starter Relay	1	551530						11
12	Back-Up Light Switch	1	733631						12
13	Ground Strap, Engine To Body (Not Shown)	1	1638338						13



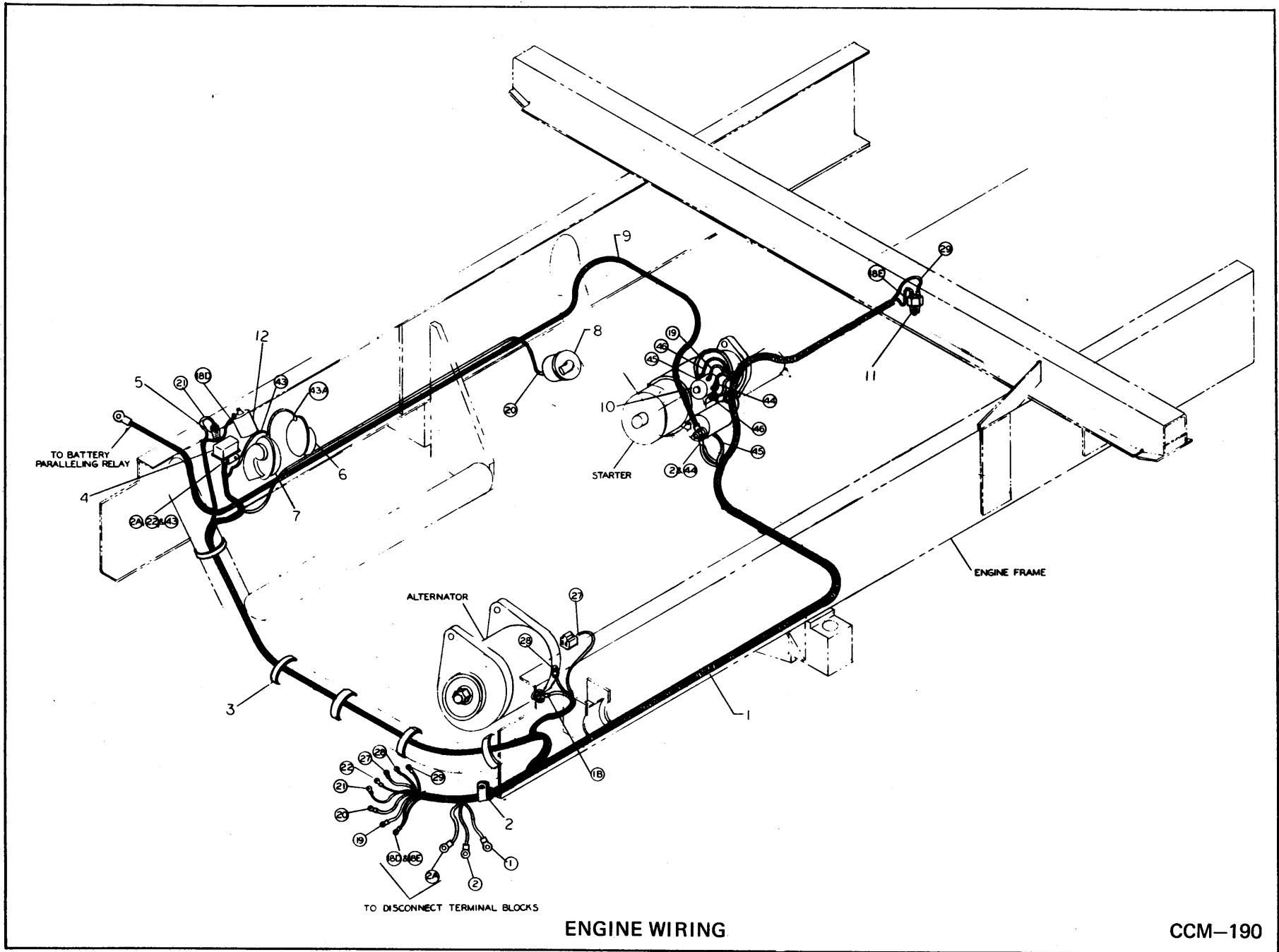
CORTEZ DIVISION

ENGINE WIRING

CCM-189

ITEM	ENGINE WIRING (Use Illustration CCM-189)	REQUIRED	Serial No. 351-400	Serial No. 401-500					ITEM
	DESCRIPTION								
1	Engine Compartment Wiring Harness	1	1634468	1629079					1
2	Harness Clip	1	29H-19						2
3	Rubber Strap	5	694483						3
4	Horn Relay	1	733623						4
5	Temperature Sender	1	1633425						5
6	Horn—High	1	1620308						6
7	Horn—Low	1	1620309						7
8	Coil—FURNISHED WITH ENGINE	1							8
9	Oil Pressure Sender	1	333508						9
10	Cable Battery Positive	1	361562						10
11	Starter Relay	1	551530						11
12	Back-Up Light Switch	1	733631						12
13	Ground Strap, Engine to Body (Not Shown)	1	1638338						13

CORTEZ DIVISION



ENGINE WIRING

CCM-190

CC-139

124

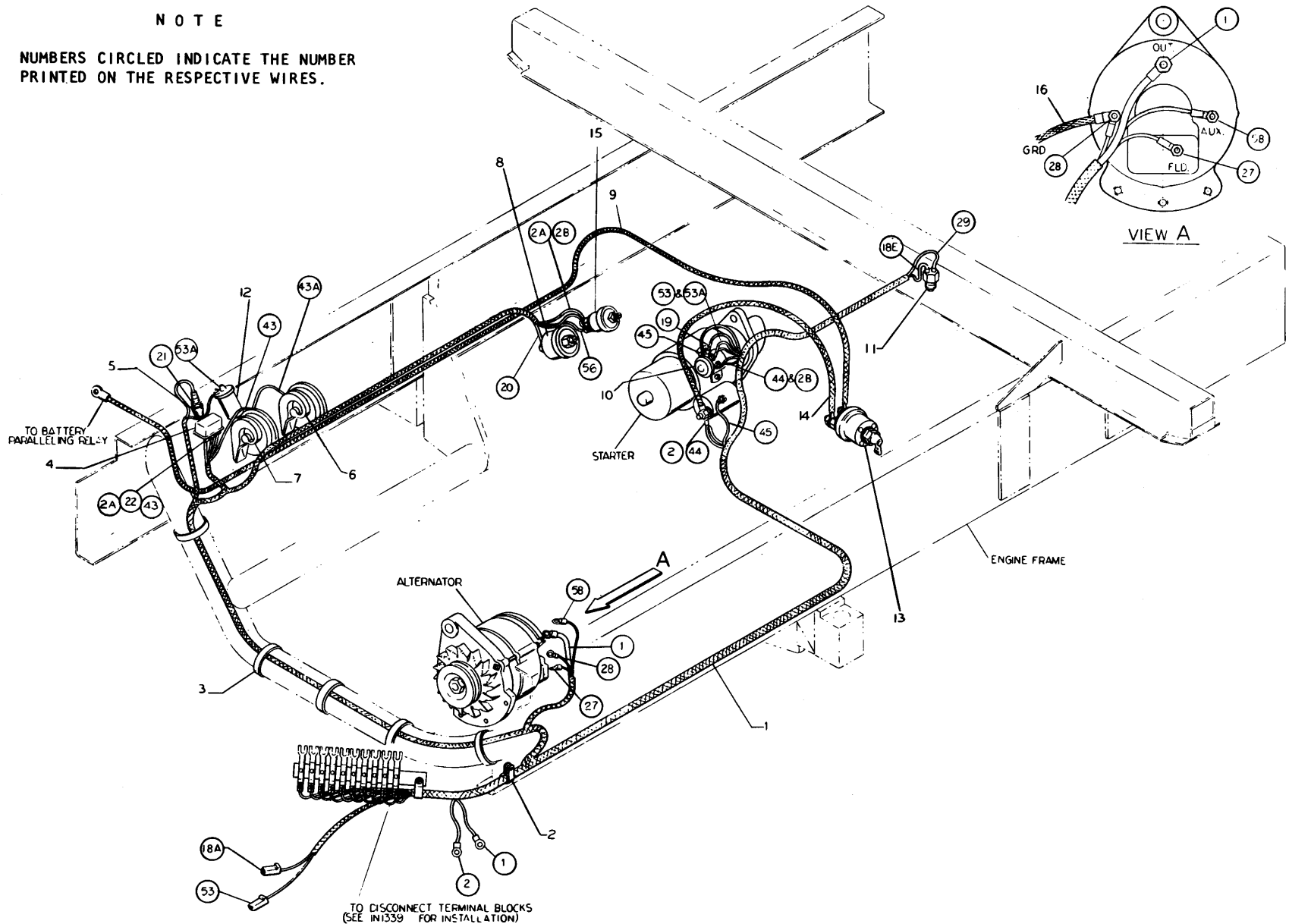
January 1, 1968

CORTEZ DIVISION

	REQUIRED	Serial No. 501-905						ITEM
	1	1629079						1
	AR	29H-19						2
	5	694483						3
	1	733623						4
	1	1633425						5
	1	1620309						6
	1	1620308						7
	1	333508						8
lenoid)	1	1305606						9
	1	551530						10
	1	733631						11
	1							12
hown)	1	1638338						13

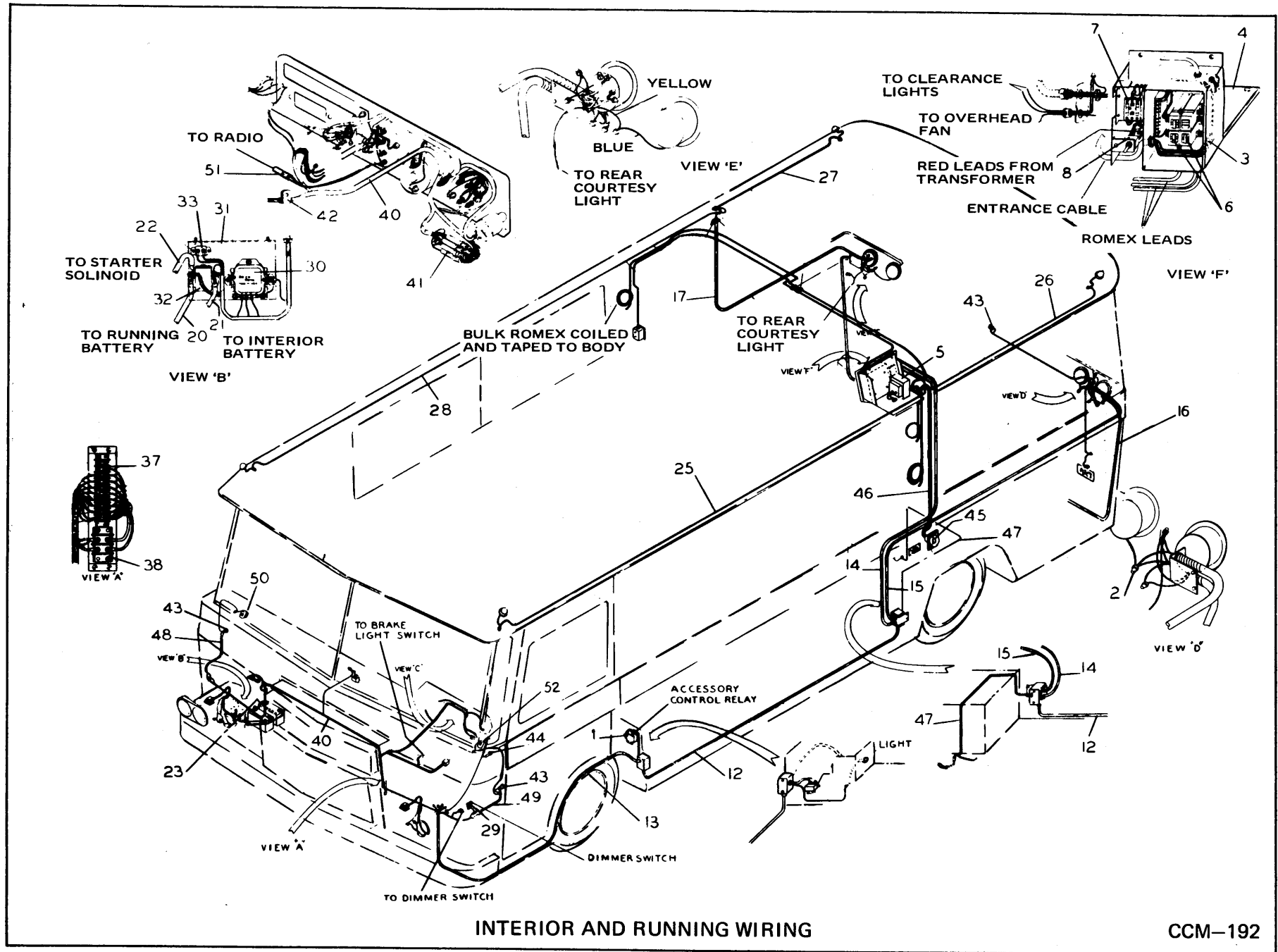
NOTE

NUMBERS CIRCLED INDICATE THE NUMBER PRINTED ON THE RESPECTIVE WIRES.



ENGINE WIRING

ITEM	ENGINE WIRING (Use Illustration CCM-191)	REQUIRED	Serial No. 906-2200						ITEM
	DESCRIPTION								
1	Engine Compartment Wiring Harness	1	1671972						1
2	Harness Clip	AR	29H-19						2
3	Rubber Strap	5	694483						3
4	Horn Relay	1	733623						4
5	Temperature Sender	1	1633425						5
6	Horn—Low	1	1620309						6
7	Horn—High	1	1620308						7
8	Oil Pressure Sender	1	333508						8
9	Battery Paralleling Cable (Relay to Disconnect Switch)	1	1305606						9
10	Starter Relay	1	1670435						10
11	Back-Up Light Switch	1	733631						11
12	Coil—FURNISHED WITH ENGINE	1							12
13	Master Disconnect Switch	1	1673332						13
14	Cable (Disconnect Switch to Solenoid)	1	659363						14
15	Pressure Switch	1	740342						15
16	Ground Strap	2	1638338						16



INTERIOR AND RUNNING WIRING

CCM-192

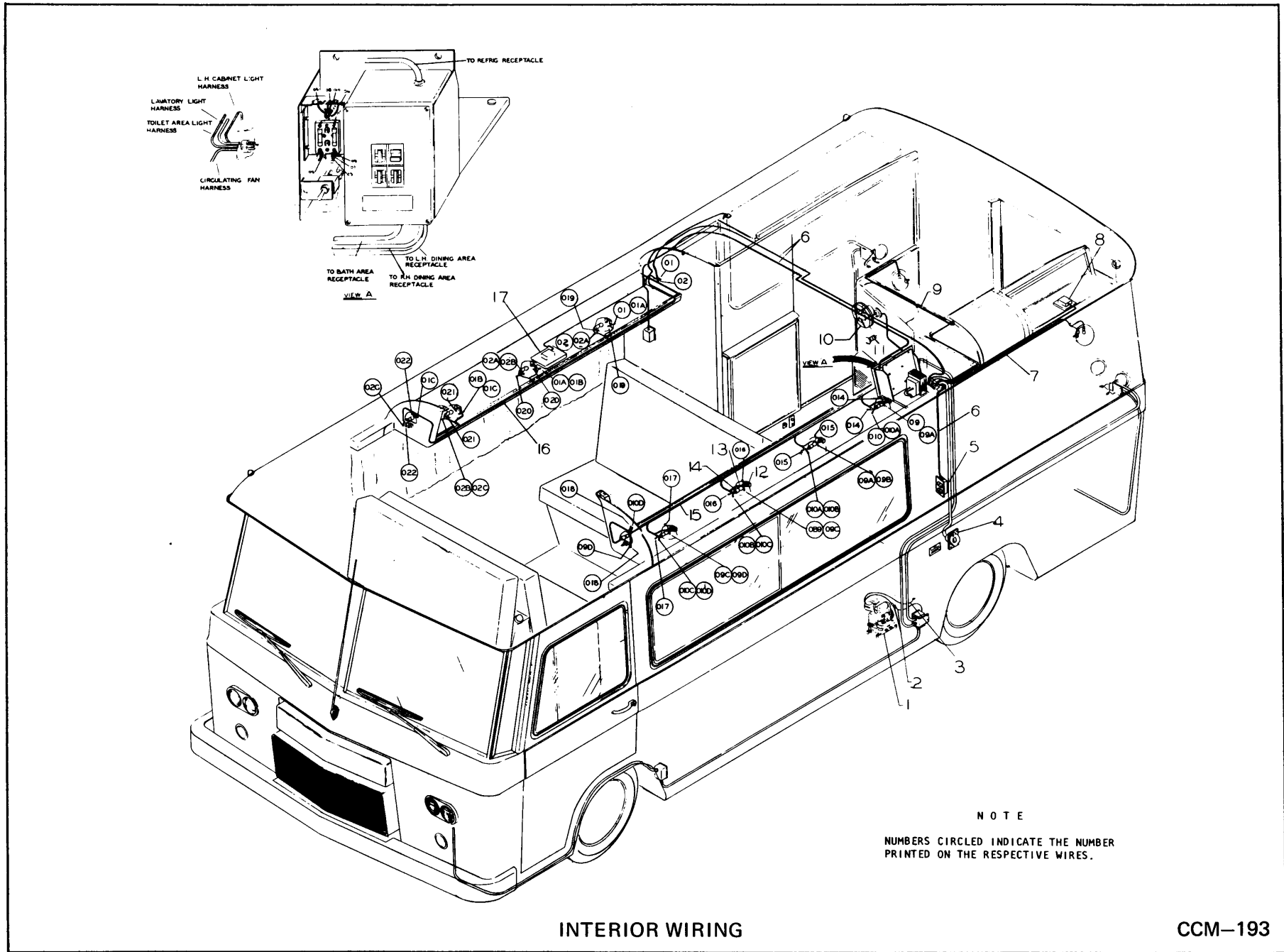
CORTEZ DIVISION



# CORTEZ DIVISION

ITEM	
	1
	2
	3
	4
	5
	6
	7
	8
	12
	13
	14
	15
	16
	17
	20
	21
	23
	25
	26
	27
	28
	29
	30
	31
	32
	33

ITEM	INTERIOR & RUNNING WIRING (CONT'D) (Use Illustration CCM-192)	REQUIRED	Serial No. 1-100	Serial No. 101-350					ITEM
	DESCRIPTION								
37	Terminal Block—10 Point	1	1629111						37
38	Terminal Block—2 Point	1	1629110						38
40	Wiring Harness—Front End	1	1651050	1629078					40
41	Fuse—14 Amp	8	661556						41
42	Harness Clip	1	29H-15						42
43	Courtesy Light Switch	3	1614424						43
44	Hand Brake Warning Light Switch	1	1629083	Not Used					44
45	Power Input Receptacle	1	431264						45
46	Power Input Cable (Bulk)	1	1617157						46
47	Harness, Gas & Thermostat Senders	1	1629077						47
48	Harness, R.H. Front Courtesy Light	1	1629129						48
49	Harness, L.H. Front Courtesy Light	1	1629160						49
50	Courtesy Light	2	337114						50
51	Radio Fuse—5 Amp (Bof 5)	1	893806						51
52	Parking Brake Warning Light Assembly	1	1629112						
	Directional Light Flasher	1	1616230	Not Used					52



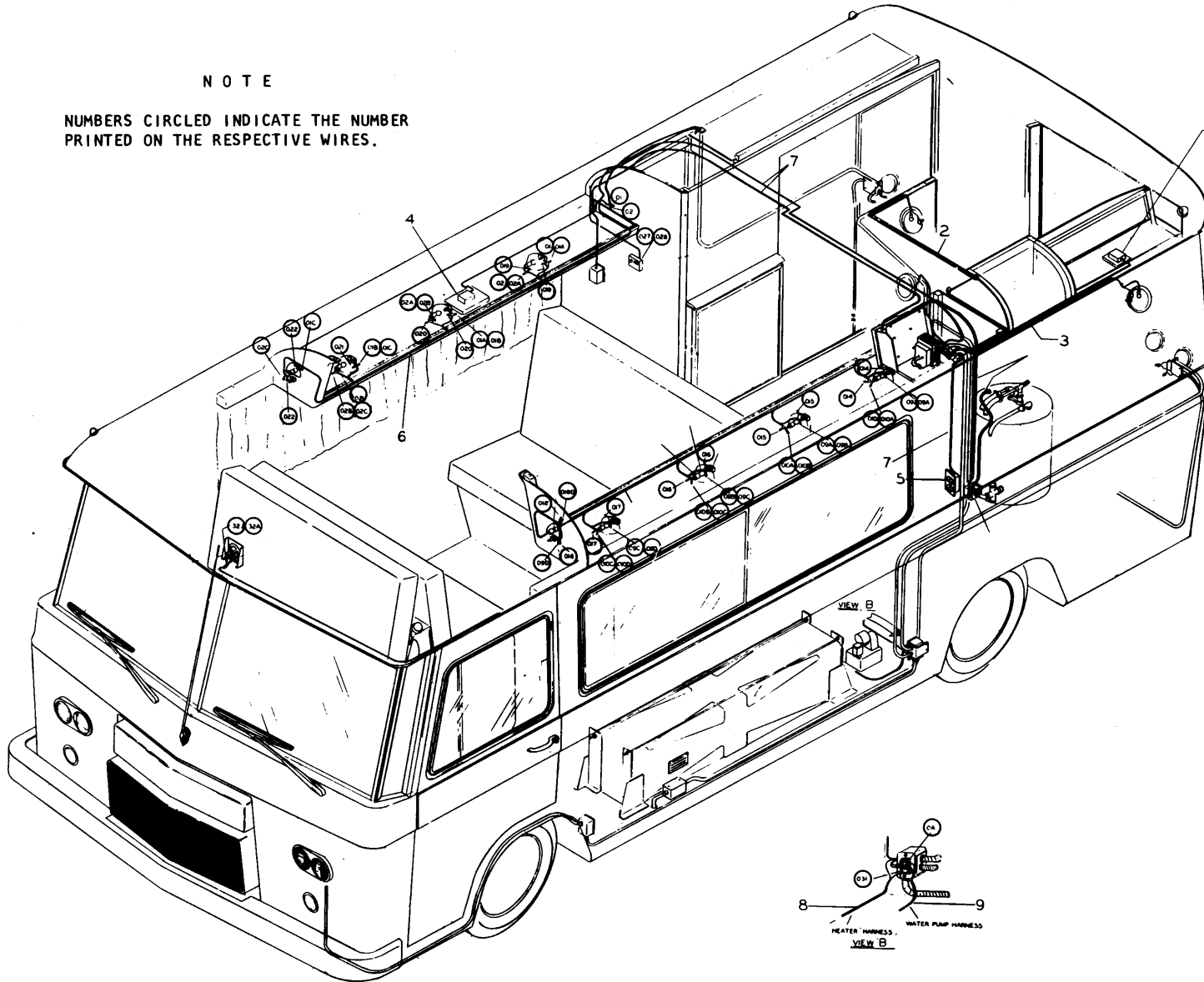
INTERIOR WIRING

CCM-193

ITEM	INTERIOR WIRING (Use Illustration CCM-193)	REQUIRED	Serial No. 351-400						ITEM
	DESCRIPTION								
1	Water Pump	1	1633483						1
2	Wire Assembly	1	1638202						2
	Fuse 14 Amp	1	661556						
3	Wire Assembly	1	672352						3
4	Receptacle Cover	1	431264						4
5	Receptacle Box Kitchen	1	1616378						5
	Receptacle	1	1616376						
	Cover	1	1616377						
	Screw	2	50G-606						
6	Romex—Bulk	AR	1617158						6
7	Bathroom Harness	1	1629219						7
8	Receptacle Box Bathroom	1	1616378						8
	Receptacle	1	1616376						
	Cover	1	1634462						
	Screw	2	57G-612						
9	Bathroom Harness	1	1629218						9
10	Fan	1	360762						10
11	Screw Fan Mounting	3	58G-1012N						11
12	Light Switch	9	1699314						12
13	Bulb	9	1628344						13
14	Light Socket	9	1699312						14
15	Harness—Left Hand Lights	1	1629166						15
16	Harness—Right Hand Lights	1	1629167						16
17	Receptacle Box	1	1616378						17
	Receptacle	1	1616376						
	Cover	1	1616377						
	Screw	2	67G-612						

CORTEZ DIVISION

NOTE  
NUMBERS CIRCLED INDICATE THE NUMBER  
PRINTED ON THE RESPECTIVE WIRES.



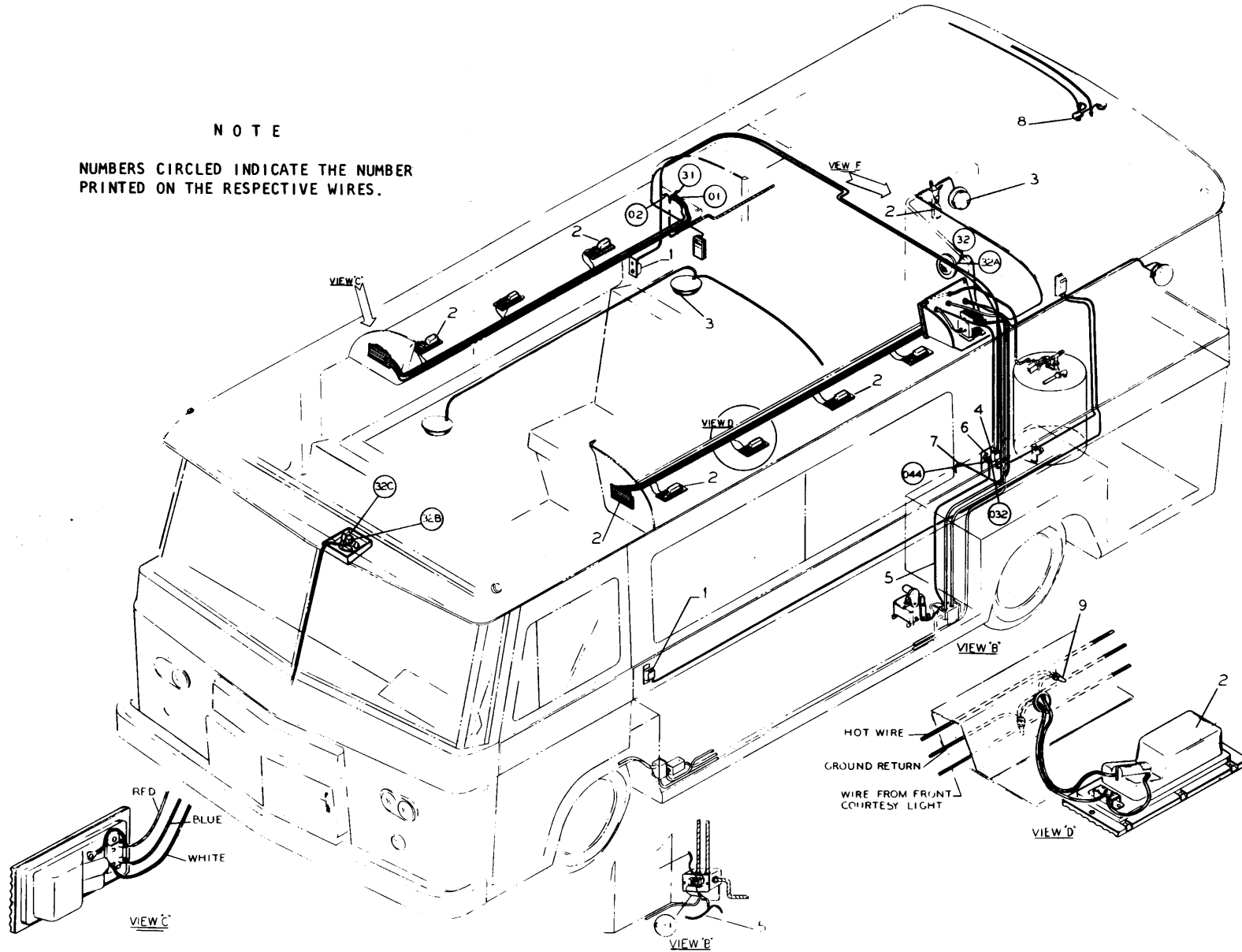
INTERIOR WIRING

CCM-194

ITEM	INTERIOR WIRING (Use Illustration CCM-195)	REQUIRED	Serial No. 401-905						ITEM
	DESCRIPTION								
1	Receptacle Box	1	1616378						1
	Receptacle	1	1616376						
	Cover Plate	1	1634462						
	Screws	2	57G-612J						
2	Bathroom Light Harness	1	1629218					2	
3	Bathroom Toilet Area Harness	1	1629219					3	
4	Receptacle Box	1	1616378						4
	Receptacle	1	1616376						
	Cover Plate	1	1616377						
	Screws	2	57G-612J						
5	Receptacle Box	1	1616378						5
	Receptacle	1	1616376						
	Cover Plate	1	1616377						
	Screws	2	57G-612J						
6	Overhead Lights Harness	1	1629167					6	
7	Romex	AR	1617158					7	
8	Furnace Harness	1	1644316					8	
9	Water Pump Harness	1	1644332					9	

CORTEZ DIVISION

**NOTE**  
 NUMBERS CIRCLED INDICATE THE NUMBER  
 PRINTED ON THE RESPECTIVE WIRES.



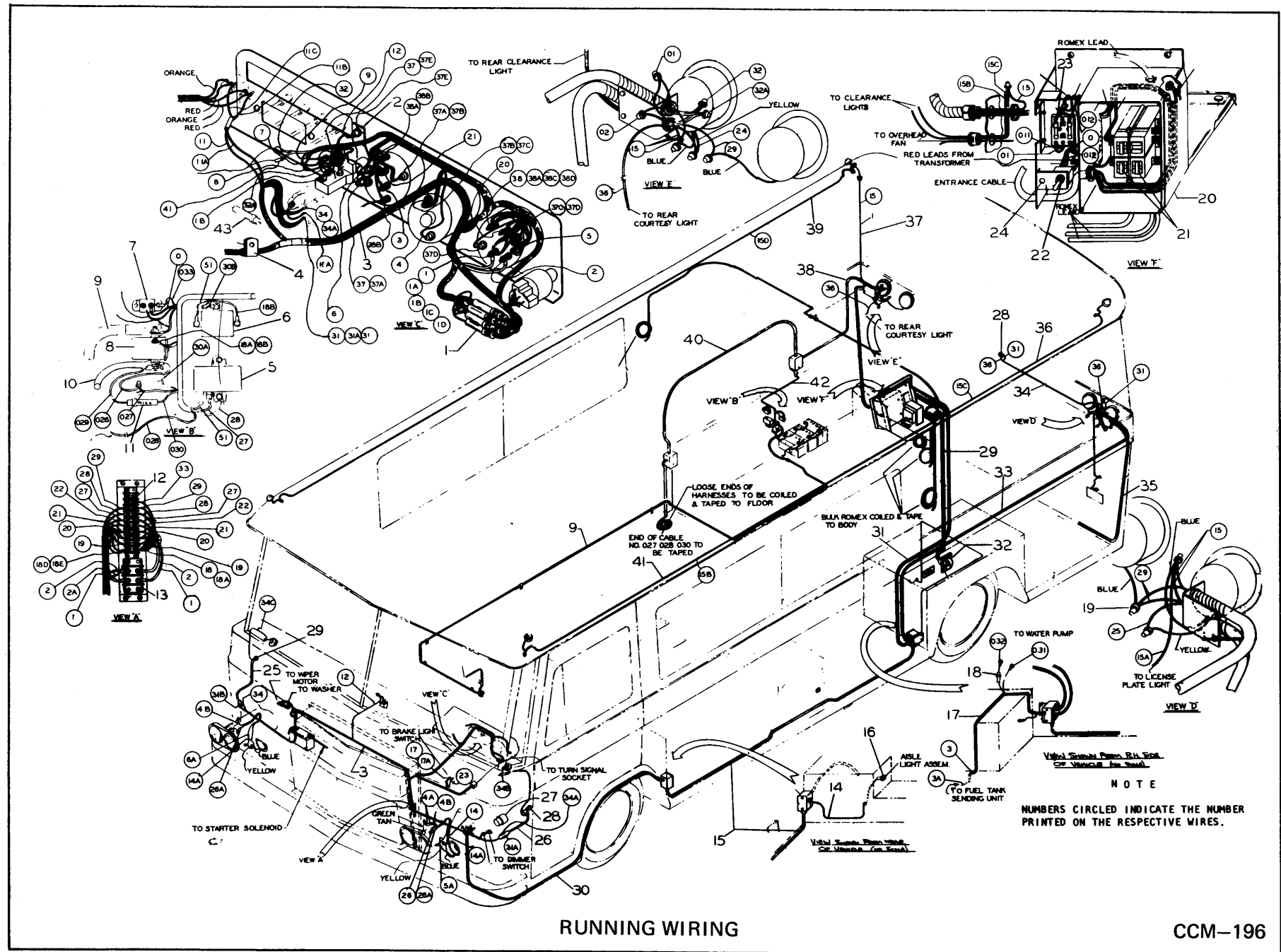
INTERIOR WIRING

CCM-195

ITEM	INTERIOR WIRING (Use Illustration CCM-195)	REQUIRED	Serial No. 906-2200						ITEM
	DESCRIPTION								
1	Receptacle Box	3	1616378						1
	Receptacle	3	1616376						
	Cover Plate	3	1616377						
	Screw	3	57G-606						
2	Dome Light Assembly	10	1669455						2
	Bulb	10	1638383						
3	Bathroom and Dome Light	4	1624822						3
	Bulb	4	506475						
4	Receptacle	1	1616376						4
	Cover Plate	1	1673349						
5	Water Pump Wiring Harness	1	1672116						5
6	Water Pump Switch	1	1673697						6
7	Furnace Wire	AR	1675282						7
8	Switch, Rear Light and Kitchen Fan	2	1699314						8
9	Connectors	24	1629063						9

CORTEZ DIVISION





RUNNING WIRING

CCM-196

CORTEZ DIVISION

ITEM	RUNNING WIRING (Use Illustration CCM-196)	REQUIRED	Serial No. 351-400						ITEM
	DESCRIPTION								
1	Fuse—14 Amp	8	661556						1
2	Bulb—Instrument Panel	9	733626						2
3	Wiring Harness—Front End	1	1634467						3
4	Harness Clip	1	29H-50						4
5	Voltage Regulator	1	1654160						5
6	Alternator Field Relay	1	1634476						6
7	Circuit Breaker—30 Amp	1	1629172						7
8	Battery Paralleling Relay	1	1634120						8
9	Cable—Relay To Starter Solenoid	1	1638201						9
10	Cable—Battery Positive	1	1638203						10
11	Fuse—Refrigerator	2	661556						11
12	Terminal Block—10 Point	1	1629111						12
13	Terminal Block—2 Point	1	1629110						13
14	Wire Aisle Light	1	1633460						14
15	Harness—Intermediate	1	1634470						15
16	Aisle Light	1	1633457						16
17	Wire Fuel Tank Sending Unit	1	1634378						17
18	Fuse—Water Pump—14 Amp	1	661556						18
19	Connector	1	1629063						19
20	Power Package Assembly	1	1638223						20
21	Circuit Breaker—Dual 15 Amp	1	1629081						21
	Circuit Breaker—15 Amp	1	1303910						
	Circuit Breaker—20 Amp	1	1303911						
	Circuit Breaker—30 Amp	1	1303912						
22	Power Switch	1	1614437						22
23	Fuse—15 Amp	2	635583						23
24	Door Nylatch Grommet	1	1614435						24
	Door Nylatch Plunger	1	1614434						
25	Harness, R.H. Front Courtesy Light	1	1629129						25
26	Harness, L.H. Front Courtesy Light	1	1629160						26
27	Dimmer Switch	1	1614427						27
28	Courtesy Light Switch	3	1614424						28
29	Cable Service Entrance	AR	1617157						29
30	Left Front Harness	1	1634469						30
31	Power Pack Harness	1	1629072						31
32	Receptacle Power Input	1	431264						32
33	Left Rear Harness	1	1634471						33
34	Wire Rear Courtesy Light Switch	1	1629076						34
35	Harness Rear Cross Over	1	1634472						35

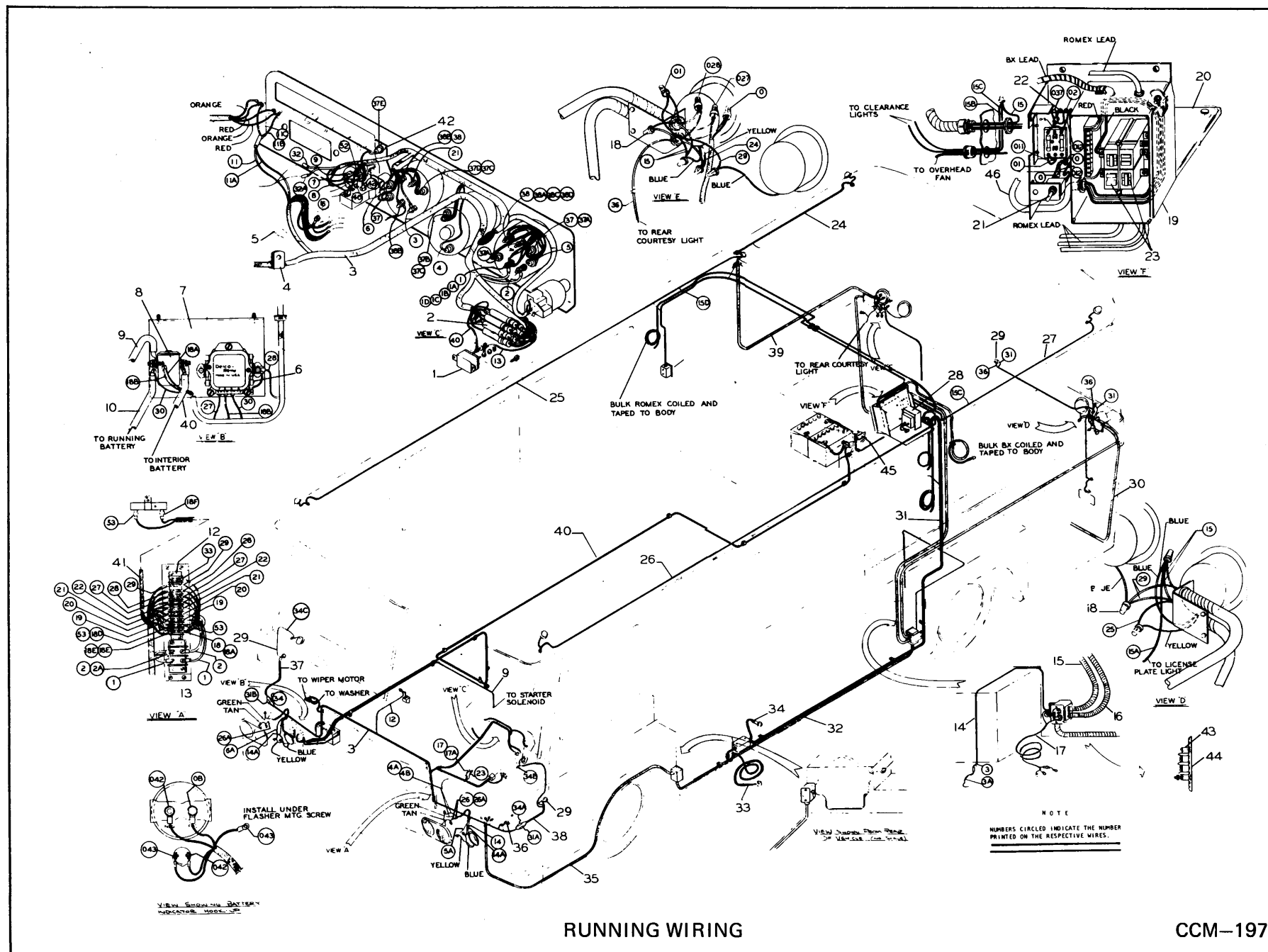
**CORTEZ DIVISION**

ITEM	RUNNING WIRING (CONT'D) (Use Illustration CCM-196)	REQUIRED	Serial No. 351-400						ITEM
	DESCRIPTION								
36	Left Rear Clearance Lights Harness	1	1629278						36
37	Rear Clearance Feed Wire	1	1634485						37
38	Right Rear Harness	1	1634473						38
39	Right Front Clearance Light Wire	1	1634484						39
40	Right Intermediate Harness	1	1634474						40
41	Left Front Clearance Light Wire	1	1629279						41
42	Battery and Heater Component Harness	1	1634379						42
43	Radio Fuse—5 Amp	1	893806						43

CC-139

140

January 1, 1968



RUNNING WIRING

CCM-197

ITEM	RUNNING WIRING (Use Illustration CCM-197)	REQUIRED	Serial No. 401-500	Serial No. 501-905					ITEM
	DESCRIPTION								
1	Circuit Breaker, Headlights	1	1638231						1
2	14 Amp Fuse	8	661556						2
3	Front End Wiring Harness	1	1638233	1644325					3
4	Harness Clip	1	29H-50						4
5	5 Amp Radio Fuse	1	893806						5
6	Voltage Regulator	1	1624492						6
7	Bracket, Voltage Regulator Mounting	1	1629086						7
8	Battery Paralleling Relay	1	1634120						8
9	Battery Paralleling Cable (Relay to Solenoid)	1	1305606						9
10	Battery Positive Cable (Running)	1	618842						10
12	Terminal Block (10 Points)	1	1629111						12
13	Terminal Block (2 Points)	1	1629110						13
14	Harness Gas Sender	1	1644314						14
15	Left Rear Wiring Harness	1	1644322						15
16	Power Pack Wiring Harness	1	1644324						16
17	Furnace Harness	1	1644316						17
18	Connector	80	1629063						18
19	Power Package	1	1649373						19
20	Bracket, Power Package	1	1629126						20
21	Power Switch	1	1614437						21
22	15 Amp Fuse	2	635583						22
23	Dual 15 Amp Circuit Breaker	1	1629081						23
	15 Amp Circuit Breaker	1	1303910						
	20 Amp Circuit Breaker	1	1303911						
	30 Amp Circuit Breaker	1	1303912						
24	Rear Clearance Light Wire—R.H.	1	1629280						24
25	Front Clearance Light Wire—R.H.	1	1629281						25
26	Front Clearance Light Wire—L.H.	1	1644320						26
27	Rear Clearance Light Wire—L.H.	1	1629278						27
28	Step-Down Transformer	1	336926						28
29	Courtesy Light Switch	3	1614424						29
30	Wiring Harness Rear Crossover	1	1644321						30
31	Power Input Cable Bulk	AR	1617157						31
32	Intermediate Wiring Harness	1	1644315						32
33	Power Cord Assembly	1	1649356						33
34	Indicator Light	1	1644370						34
35	Wiring Harness Left Front	1	1644323						35
36	Dimmer Switch	1	1614427						36
37	Front Courtesy Light Harness—R.H.	1	1629129						37

CORTEZ DIVISION

CORTEZ DIVISION

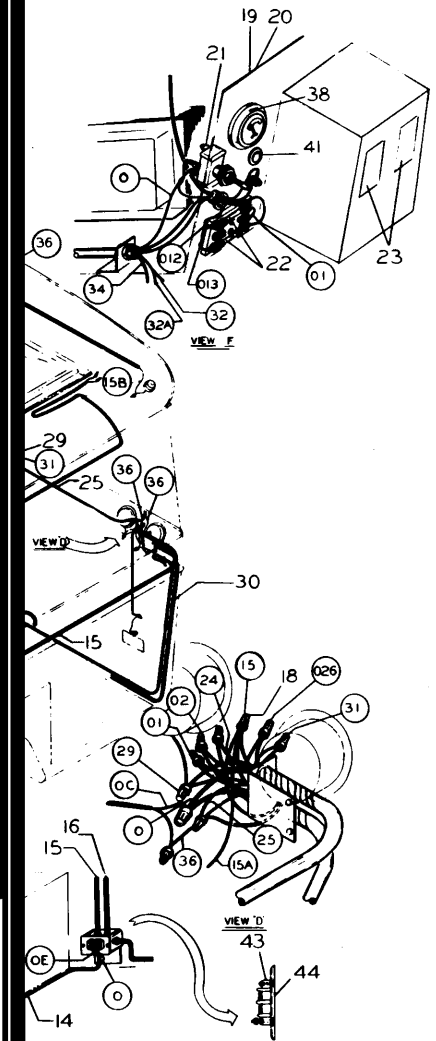
ITEM	RUNNING WIRING (CONT'D) (Use Illustration CCM-197)	REQUIRED	Serial No. 401-905						ITEM
	DESCRIPTION								
38	Front Courtesy Light Harness—L.H.	1	1629160						38
39	Harness Right Rear	1	1644319						39
40	Cable Battery Connector	1	1644313						40
41	Engine Ballast Harness	1	1638293						41
42	Bulb Dash	9	733626						42
43	Terminal Block (2 Point)	1	1629110						43
44	Junction Box Cover	1	1644372						44
45	Circuit Breaker	1	1629172						45
46	Power Package Door Nylatch Grommet	1	1614435						46
	Power Package Nylatch Plunger	1	1614434						

CC-139

144

January 1, 1968

# CORTEZ DIVISION



**NOTE**

NUMBERS CIRCLED INDICATE THE NUMBER PRINTED ON THE RESPECTIVE WIRES.

CORTEZ DIVISION

ITEM	RUNNING WIRING * (Use Illustration CCM-198)	REQUIRED	Serial No.	Serial No.					ITEM
	DESCRIPTION		906-1800	1801-2200					
1	Circuit Breaker, Headlights	1	1638231						1
2	14 Amp Fuse	8	661556						2
3	Front End Wiring Harness	1	1671472						3
4	Harness Clip	1	29H-50						4
5	5 Amp Radio Fuse	1	893806						5
6	Voltage Regulator	1	1672010						6
7	Bracket, Voltage Regulator Mounting	1	1673777						7
8	Battery Paralleling Relay	1	1634120						8
9	Battery Paralleling Cable (Relay to Solenoid)	1	1305606						9
10	Battery Positive Cable (Running)	1	618842						10
12	Terminal Block (10 Points)	1	1629111						12
13	Terminal Block (2 Points)	1	1629110						13
14	Harness as Sender	1	1644314						14
15	Left Rear Wiring Harness	1	1670479						15
16	Power Pack Wiring Harness	1	1672567						16
18	Connector	80	1629063						18
19	Power Package	1	1673089						19
20	Bracket, Power Package	1	1672961						20
21	Power Switch	1	1614437						21
22	15 Amp Fuse	2	635583						22
23	20 Amp Circuit Breaker—Twin	1	1669783						23
	30 Amp Circuit Breaker	1	1669782						
24	Rear Clearance Light Wire	1	1672145						24
25	Harness Rear Courtesy Light Switch	1	1629076						25
26	Aisle Light Wire	1	1633460						26
27	Aisle Light Assembly	1	1633457						27
28	Step-Down Transformer	1	336926						28
29	Courtesy Light Switch	3	1614424						29
30	Wiring Harness Rear Crossover	1	1670478						30
31	Power Input Cable—Bulk	AR	1617157						31
32	Intermediate Wiring Harness	1	1670476	1697596					32
33	Power Cord Assembly	1	1649356						33
34	Indicator Light	1	1644370						34
35	Wiring Harness Left Front	1	1672113						35
36	Dimmer Switch	1	1614427						36
37	Harness Overhead Fan	1	1638333						37
38	Battery Charge Indicator	1	1637578						38
39	Harness Right Rear	1	1670477						39

CC-139

147

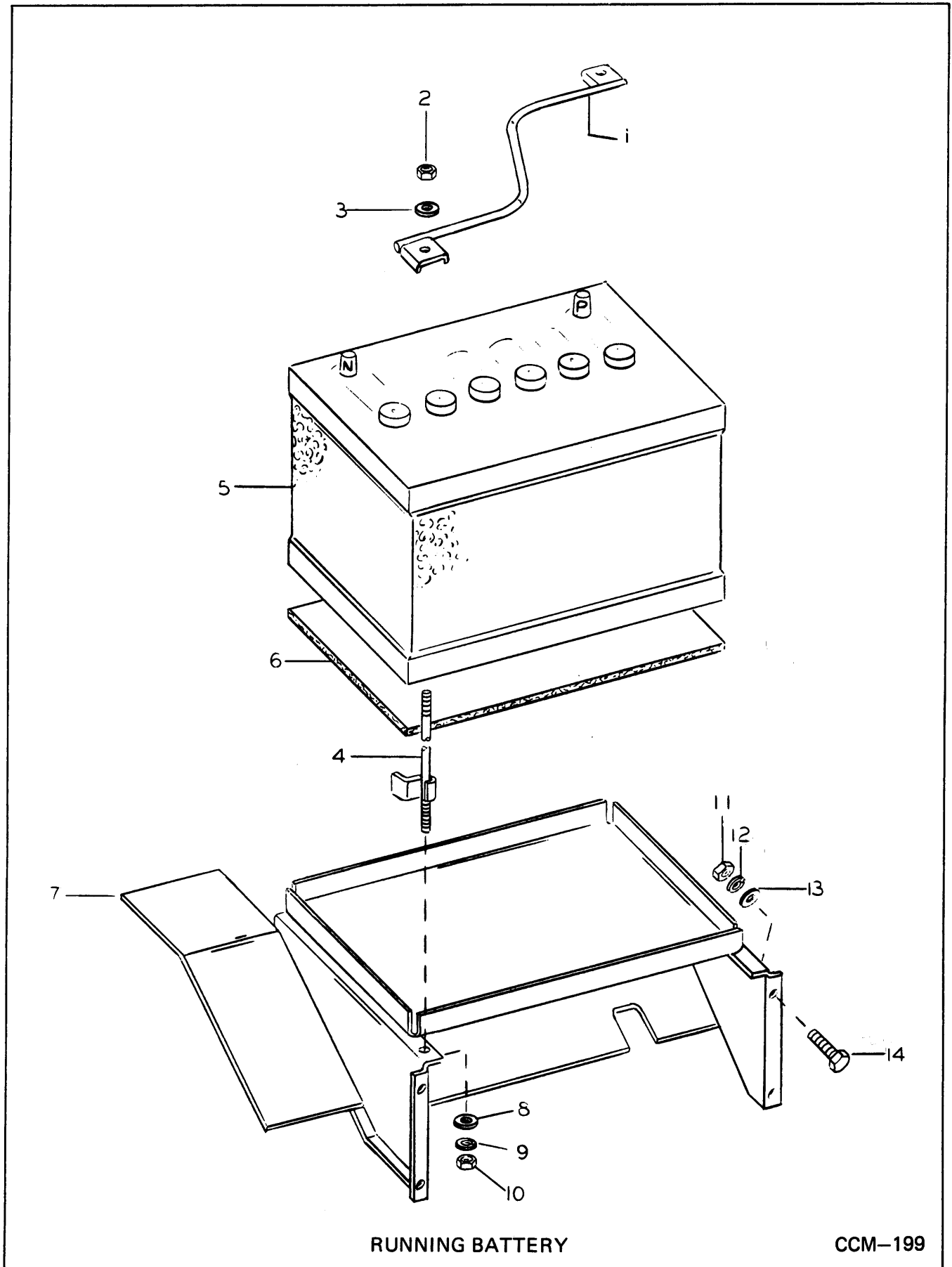
January 1, 1968



# CORTEZ DIVISION

ITEM	RUNNING WIRING (CONT'D) (Use Illustration CCM-198)	REQUIRED	Serial No. 906-2200						ITEM
	DESCRIPTION								
40	Cable Battery Connector	1	1644313						40
41	Push Button—Battery Indicator	1	301963						41
42	Bulb Dash	9	733626						42
43	Terminal Block (2 Point)	1	1629110						43
44	Junction Box Cover	1	1644372						44

# CORTEZ DIVISION



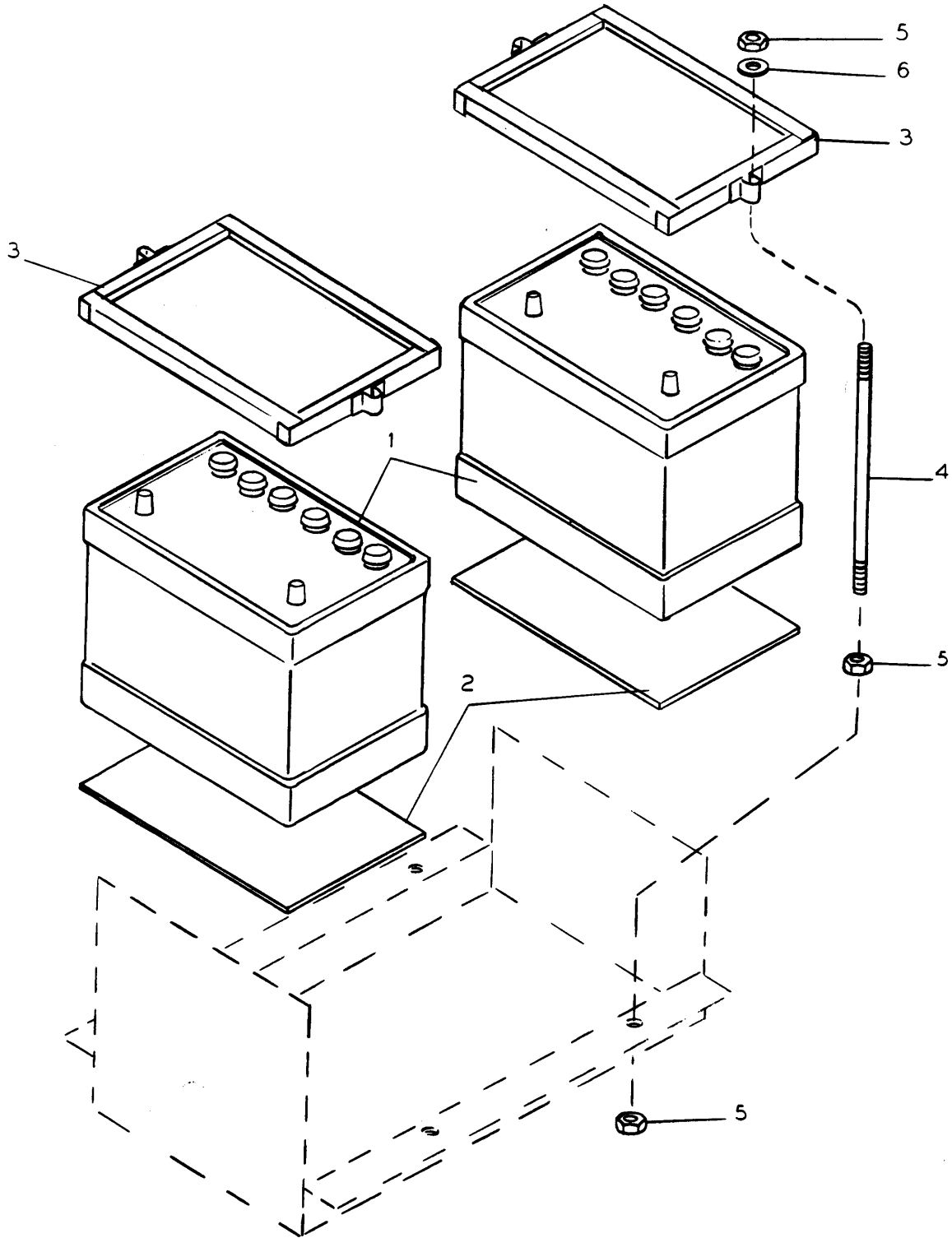
RUNNING BATTERY

CCM-199

UNNING BATTERY (Illustration CCM-199)	REQUIRED	Serial No. 1-100						ITEM
DESCRIPTION								
	1	337093						1
Nut	2	2D-06						2
Washer	2	664422						3
Down Stud	2	1623866						4
	1	337090						5
	1	733115						6
	1	337091						7
Down Stud Washer	2	664422						8
Down Stud Lockwasher	2	4E-06						9
Down Stud Nut	2	2D-06						10
Mounting Nut	4	1D-05						11
Mounting Lockwasher	4	4E-05						12
Mounting Washer	4	664422						13
Mounting Bolt	4	1C-536						14

CORTEZ DIVISION

# CORTEZ DIVISION



RUNNING BATTERY

CCM-200

**CORTEZ DIVISION**

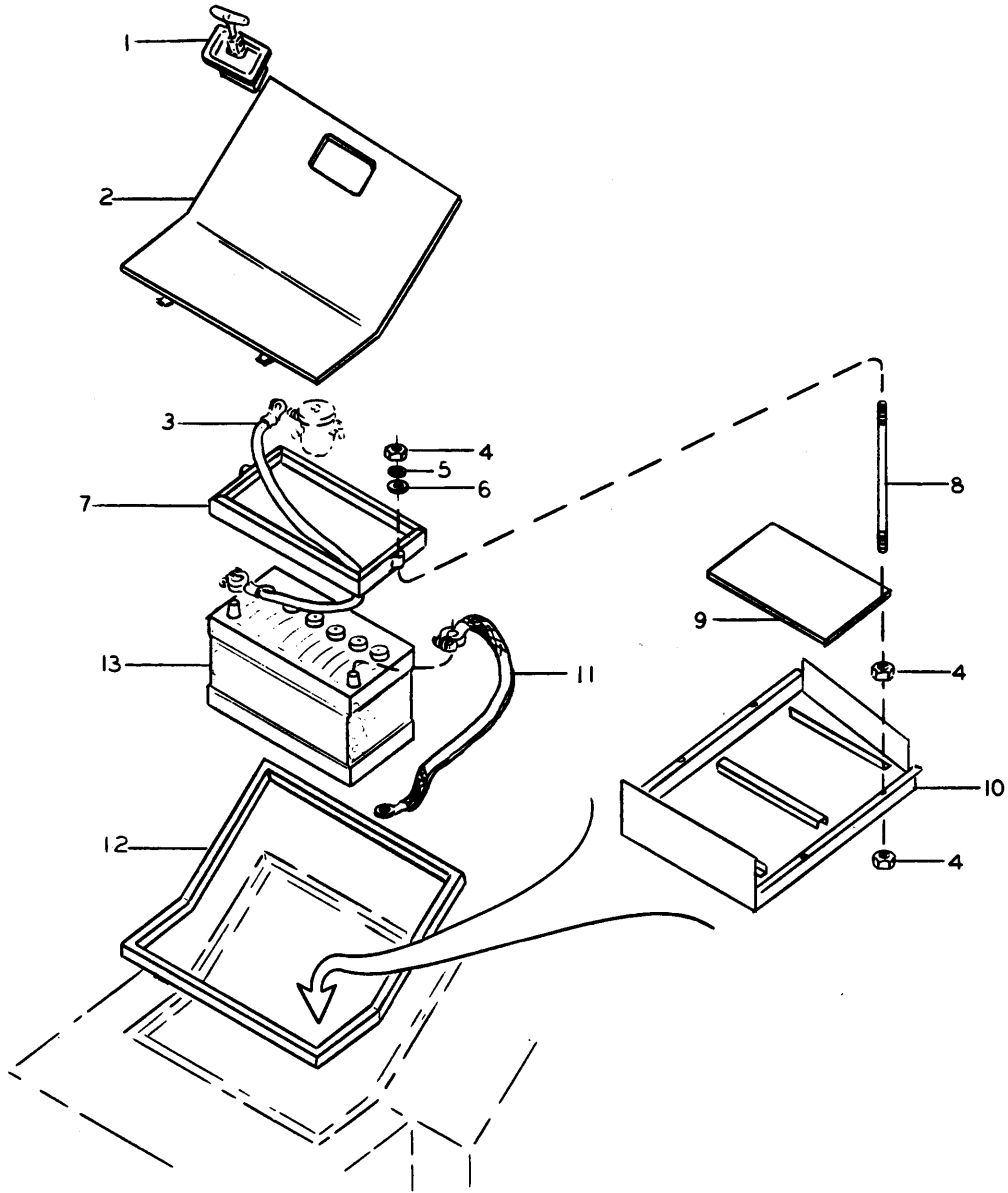
ITEM	RUNNING BATTERY (Use Illustration CCM-200)	REQUIRED	Serial No. 101-350	Serial No. 401-500					ITEM
	DESCRIPTION								
1	Battery	2	337090						1
2	Battery Pad	2	733115						2
3	Battery Hold Down	2	733103						3
4	Battery Hold Down Stud	4	763395						4
5	Battery Hold Down Nut	12	2D-05						5
6	Battery Hold Down Washer	4	664422						6

CC-139

153

January 1, 1968

# CORTEZ DIVISION



RUNNING BATTERY

CCM-201

CORTEZ DIVISION

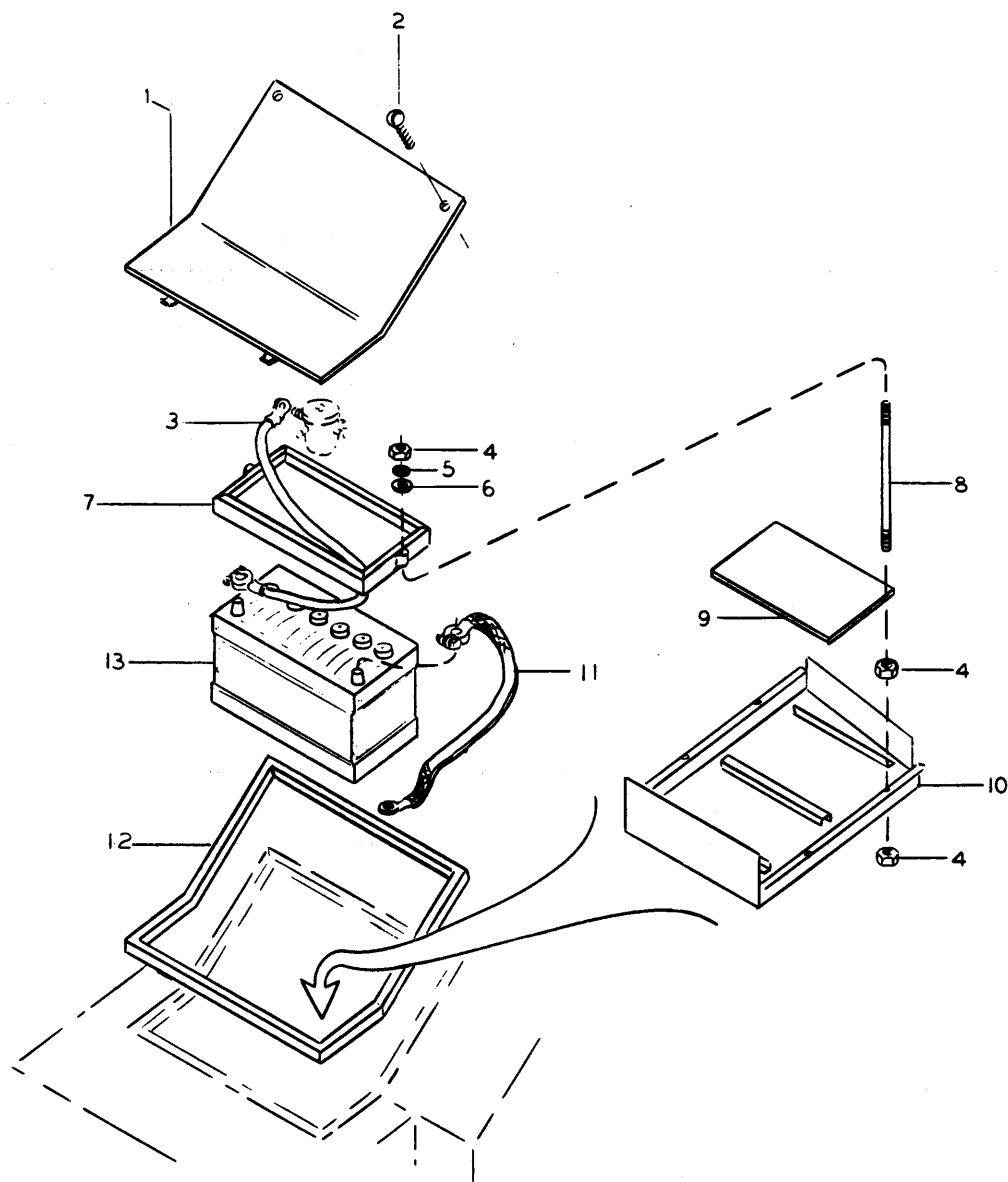
ITEM	RUNNING BATTERY (Use Illustration CCM-201)	REQUIRED	Serial No.	Serial No.					ITEM
	DESCRIPTION		351-400	501-905					
1	Battery Compartment Cover Latch	1	1629052						1
2	Battery Compartment Cover (Includes Item 1)	1	1629124						2
3	Battery Cable—Positive	1	361562	618842					3
4	Battery Hold-Down Nut	6	2D-05						4
5	Battery Hold-Down Lockwasher	6	4E-05						5
6	Battery Hold-Down Washer	2	664422						6
7	Battery Hold-Down Clamp	1	733103						7
8	Battery Hold-Down Stud	2	763395						8
9	Battery Pad	1	733115						9
10	Battery Support Assembly	1	1629125						10
11	Battery Cable—Ground	1	695594						11
12	Compartment Cover Seal	2	1616234						12
13	Battery	1	337090						13

CC-139

155

January 1, 1968

# CORTEZ DIVISION



RUNNING BATTERY

CCM-202



CORTEZ DIVISION

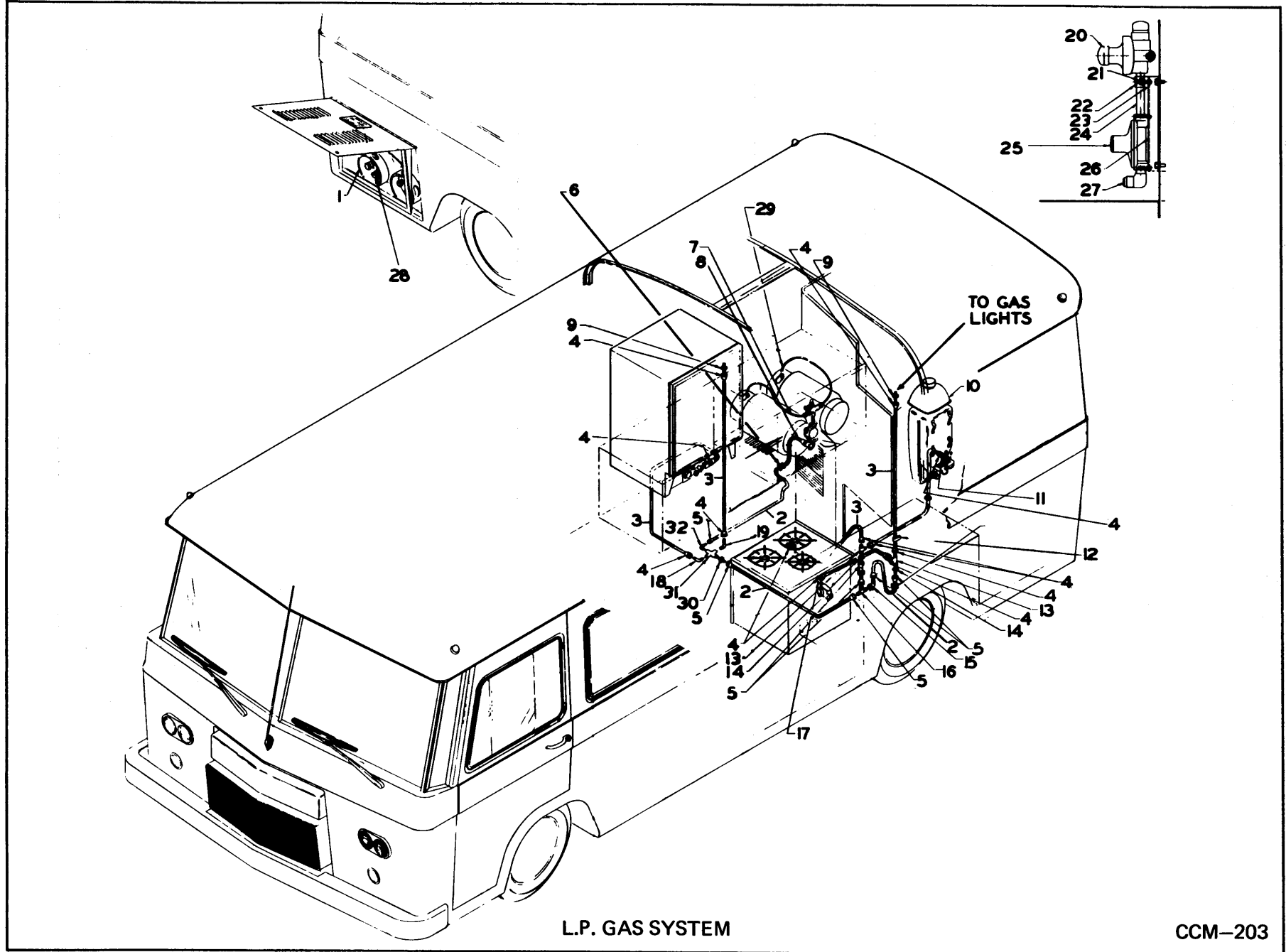
ITEM	RUNNING BATTERY (Use Illustration CCM-202)	REQUIRED	Serial No. 906-2200						ITEM
	DESCRIPTION								
1	Battery Compartment Cover	1	1667156						1
2	Battery Compartment Cover Screw	2	1698515						2
3	Battery Cable	1	618842						3
4	Battery Hold-Down Nut	6	2D-05						4
5	Battery Hold-Down Lockwasher	6	4E-05						5
6	Battery Hold-Down Washer	2	664422						6
7	Battery Hold-Down Clamp	1	733103						7
8	Battery Hold-Down Stud	2	763395						8
9	Battery Pad	1	733115						9
10	Battery Support Assembly	1	1667135						10
11	Battery Ground Strap	1	695594						11
12	Compartment Cover Seal	2	1616234						12
13	Battery	1	337090						13

CC-139

157

January 1, 1968

# CORTEZ DIVISION



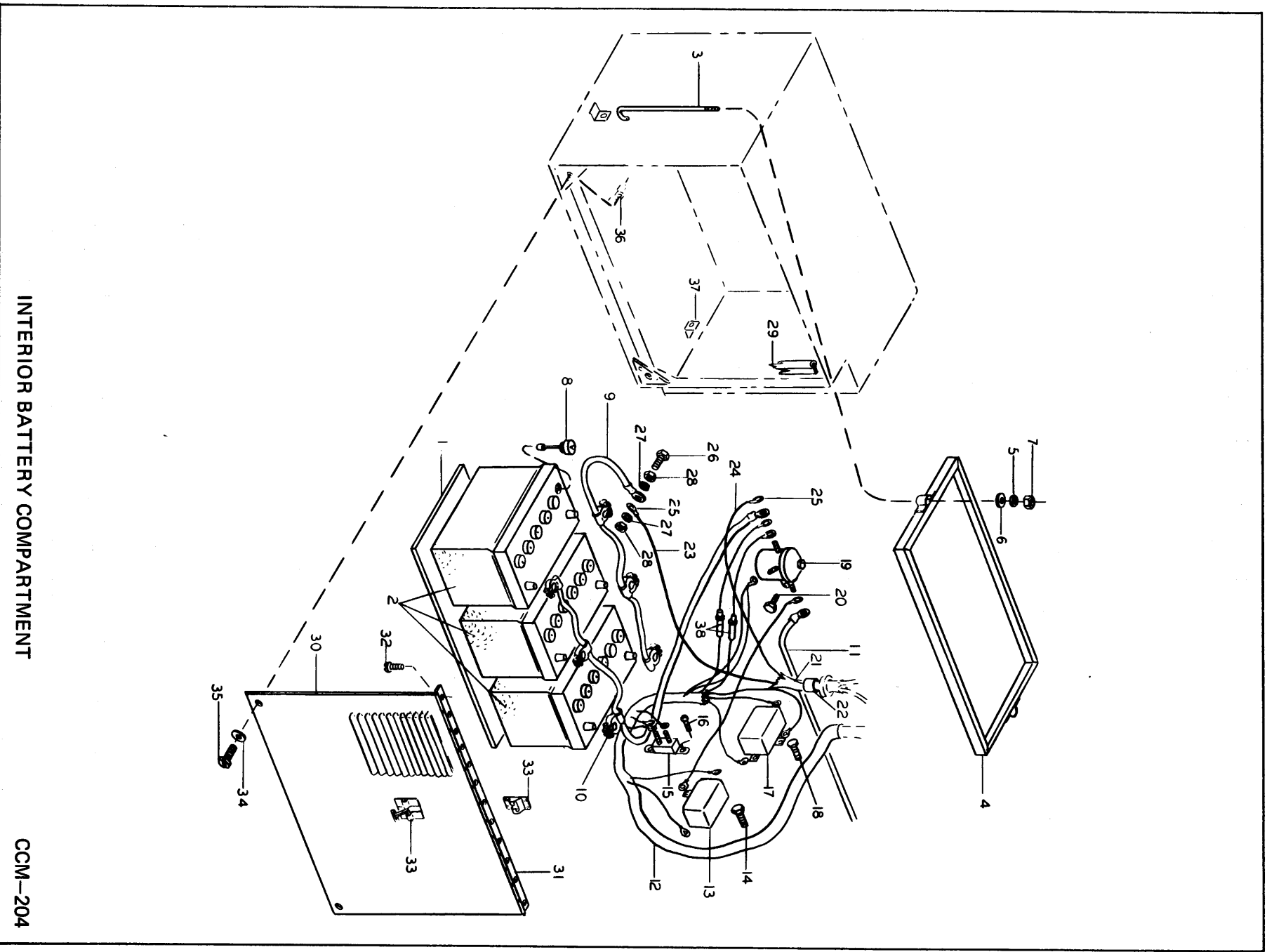
L.P. GAS SYSTEM

CCM-203

ITEM	L. P. GAS SYSTEM (Use Illustration CCM-203)	REQUIRED	Serial No.	401-500					ITEM
	DESCRIPTION		1-350						
1	L. P. Gas Tank—20E	2	1616348						1
2	Copper Tubing—1/2" O.D.	AR	1619186						2
3	Copper Tubing—3/8" O.D.	AR	1619185						3
4	Flare Tube Nut	12	48F-5						4
5	Flare Tube Nut	6	48F-7						5
6	Union	1	40F-7						6
7	Hose Assembly	1	1616349						7
8	Tube Assembly	1	1629255						8
9	Male Half Union	1	731488						9
10	Water Heater	1	336857						10
11	Connector	1	940635						11
12	Clamp	3	5H-5						12
13	Tee	1	44F-5						13
14	Female Half Union	2	1304499						14
15	Elbow	1	1306117						15
16	Tee	1	1306153						16
17	Elbow	1	940638						17
18	Elbow	1	513912						18
19	Elbow	1	513512						19
20	Automatic Switch-Over Valve	1	1629221						20
21	Screw	2	3G-1014						21
	Lockwasher	2	14E-10						
	Nut	2	12D-10						
22	Clamp	1	1629226						22
23	Spacer	1	1305715						23
24	Nipple	1	5K-228						24
25	Regulator	1	1616351						25
26	Bracket	1	1629254						26
27	Elbow	1	42F-8						27
28	Hose to Tank Coupler	2	1628356						28
29	Hose Assembly	1	1628355						29
30	Half Union	1	507753						30
31	Pipe Cross	1	1306118						31
32	Elbow	1	940636						32

CORTEZ DIVISION

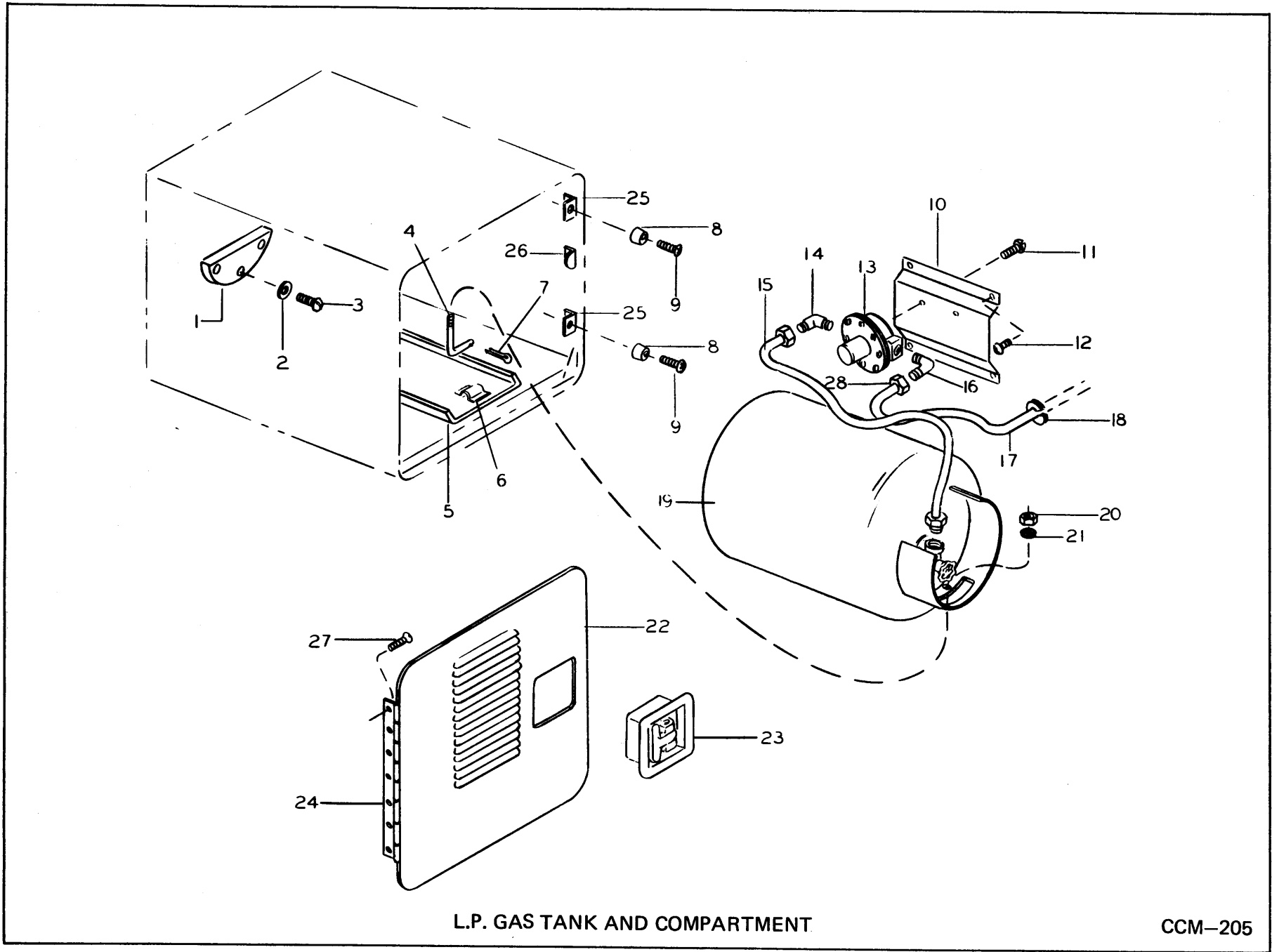
# CORTEZ DIVISION



INTERIOR BATTERY COMPARTMENT

CCM-204

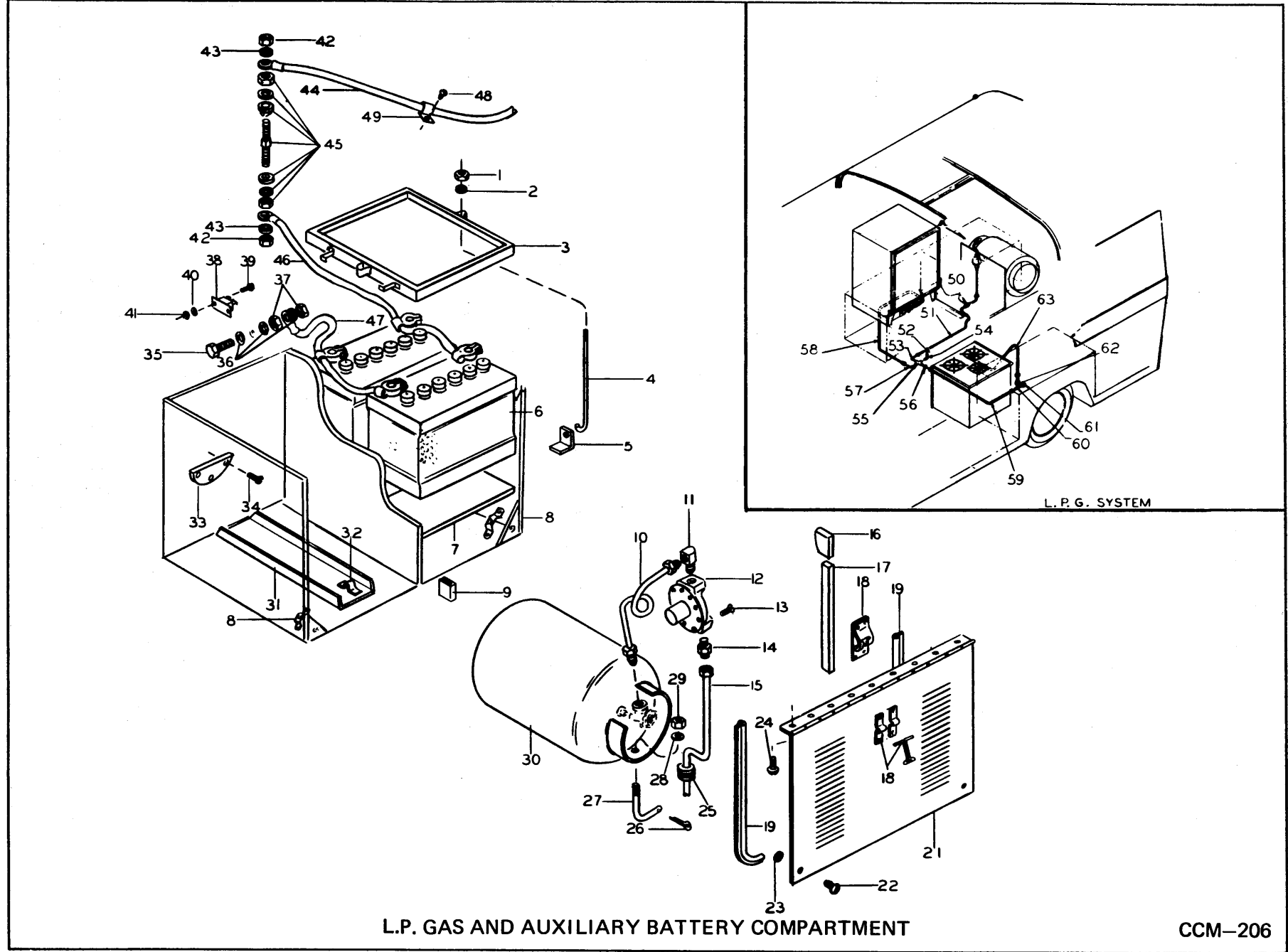
ITEM	INTERIOR BATTERY COMPARTMENT (Use Illustration CCM-204)	REQUIRED	Serial No. 351-400						ITEM
	DESCRIPTION								
1	Battery Pad	1	1644305						1
2	Battery	3	1306062						2
3	J-Bolt	2	1307162						3
4	Battery Hold Down Assembly	1	1634024						4
5	Washer	2	619019						5
6	Lockwasher	2	4E-05						6
7	Nut	2	2D-05						7
8	Battery Cap	18	1634014						8
9	Battery Cable—Ground	1	1638204						9
10	Battery Cable—Positive	1	1638203						10
11	Cable—Relay to Starter	1	1638201						11
12	Wiring Harness—Auxiliary Batt.	1	1634379						12
13	Voltage Regulator	1	1654160						13
14	Voltage Regulator Mounting Screw	2	61G-0408						14
15	Circuit Breaker (30 Amp)	1	1629172						15
16	Circuit Breaker Mounting Screw	2	59G-604						16
17	Alternator Field Relay	1	1634476						17
18	Alternator Relay Mounting Screw	2	61G-0408						18
19	Battery Paralleling Relay	1	1634120						19
20	Battery Paralleling Relay Mounting Screw	2	59G-1008						20
21	Conduit	AR	1300379						21
22	Bushing	1	1305926						22
23	Wire (Black)	AR	1011258						23
24	Wire (Green)	AR	1011261						24
25	Terminal	2	755156						25
26	Grounding Bolt	1	3G-1012J						26
27	Lockwashers	2	14E-10						27
28	Nut	2	12D-10J						28
29	Rubber Moulding	AR	1634121						29
30	Door Assembly (Includes Item 31)	1	1633444						30
31	Door Hinge	1	1698586						31
32	Hinge Screw	6	945518						32
33	Compt. Door Holder Assembly	1	1698774						33
34	Door Fastener Retainer	4	1698517						34
35	Door Fastener	2	1698515						35
36	Door Fastener Nut	2	1698516						36
37	Battery Hold Down Bolt Clip	2	1634023						37
38	Fuse	2	661556						38



L.P. GAS TANK AND COMPARTMENT.

CCM-205

ITEM	L. P. G. TANK COMPARTMENT (Use Illustration CCM-205)	REQUIRED	Serial No. 351-400						ITEM
	DESCRIPTION								
1	L. P. G. Tank Stop	1	1634382						1
2	Tank Stop Washer	2	619018						2
3	Tank Stop Screw	2	58G-1416						3
4	Tank Hold-Down "J" Bolt	1	1634306						4
5	Bracket, Tank Support	1	1634299						5
6	Tank Hold-Down Clip	1	1634305						6
7	"J" Bolt Cotter	1	1F-416						7
8	Door Bumper	2	1634329						8
9	Door Bumper Screw	2	58G-1010						9
10	Bracket, Regulator Mounting	1	1629254						10
11	Regulator Mounting Screw	2	63G-816						11
12	Regulator Bracket Mounting Screw	4	14G-1008						12
13	L. P. G. Regulator	1	1616351						13
14	Elbow	1	507729						14
15	Tube Assembly	1	1616349						15
16	Elbow	1	940638						16
17	Tube 8 ft.	1	1619186						17
18	Grommet	1	1303653						18
19	L. P. G. Tank—20 # w/Gauge	1	1634497						19
20	"J" Bolt Nut	1	2D-06						20
21	"J" Bolt Lockwasher	1	4E-06						21
22	L. P. G. Compartment Door (Includes Items 23 and 24)	1	1634319						22
23	Door Latch	1	1634324						23
24	Door Hinge	1	1634301						24
25	Bracket, Door Bumper	2	1638292						25
26	Door Catch	1	1634094						26
27	Hinge Screw	4	1306198						27
28	Tube Nut	2	48F-5						28



L.P. GAS AND AUXILIARY BATTERY COMPARTMENT

CCM-206



# CORTEZ DIVISION

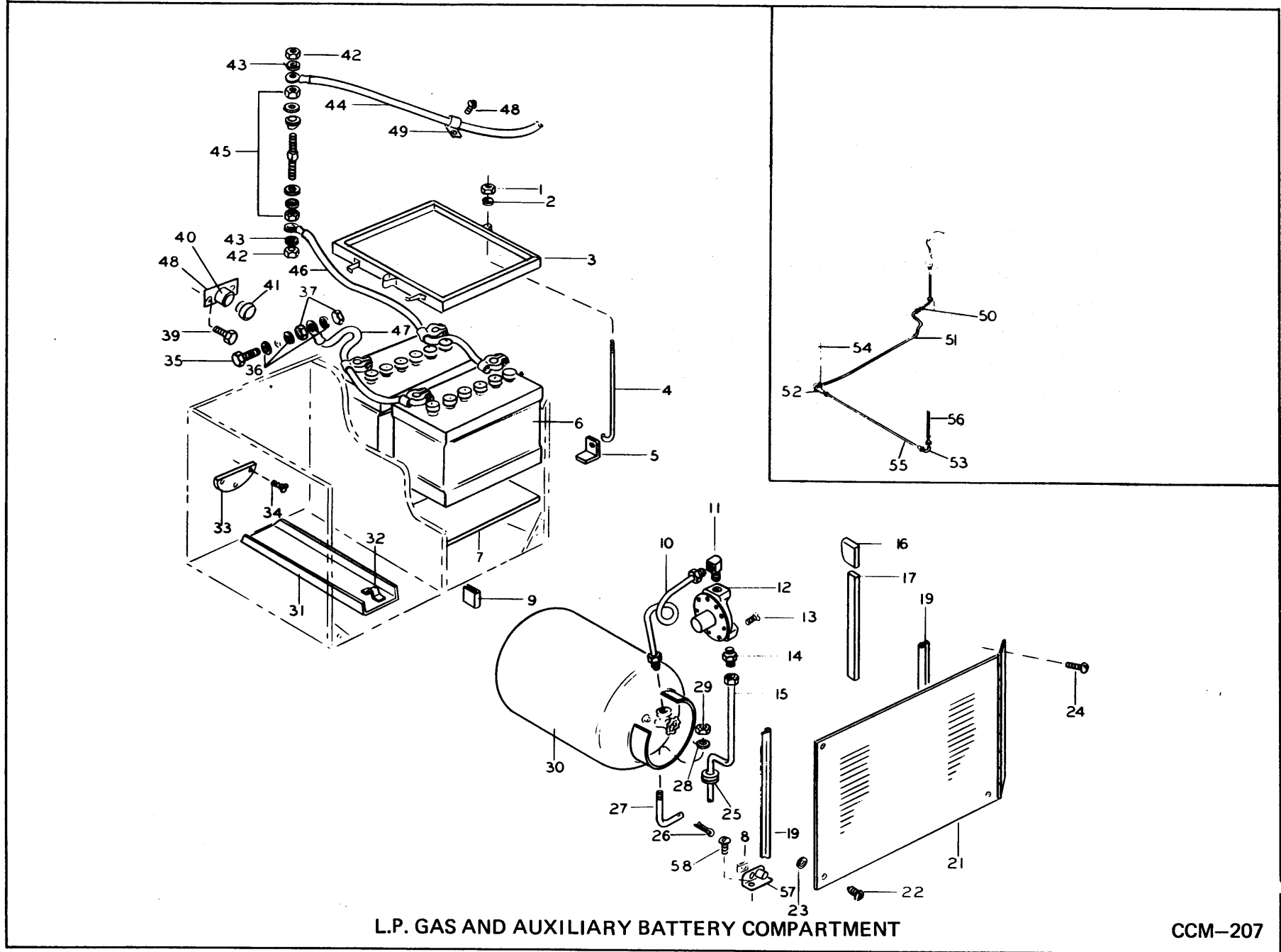
ITEM	L. P. G. & AUX. BATTERY COMPARTMENT (Use Illustration CCM-206)	REQUIRED	Serial No. 501-905						ITEM
	DESCRIPTION								
1	Battery Hold-Down Nut	2	2D-05						1
2	Battery Hold-Down Washer	2	619019						2
3	Battery Hold-Down Clamp	1	1644327						3
4	Battery Hold-Down "J" Bolt	2	1307162						4
5	Battery Hold-Down Clip	2	1634023						5
6	Battery	2	337090						6
7	Battery Pad	2	733115						7
8	Compartment Door Fastener Nut	2	1698516						8
9	Door Lower Seal	1	1644352						9
10	Pigtail—28"	1	1700218						10
	POL Connector	2	1628356						11
11	Elbow	1	507729						12
12	L. P. G. Regulator	1	1616351						13
13	Regulator Mounting Screw	2	63G-1010						14
14	Connector	1	38F-9						15
15	Tube Assembly	1	1638394						16
16	Door Upper Seal	1	1644351						17
17	Door Center Seal—14"	1	1644350						18
18	Compartment Door Holder Assembly	1	1698774						19
19	Rubber Moulding—17-1/2"	2	1634121						20
20	Door Hinge	1	1698586						21
21	Door Assembly (Incl. Item 20)	1	1698525						22
22	Door Fastener	2	1698515						23
23	Door Fastener Retainer	4	1698517						24
24	Hinge Screw	6	945518						25
25	Grommet	1	1634273						26
26	L. P. G. Tank Mounting Cotter	1	1F-416						27
27	L. P. G. Tank Mounting "J" Bolt	1	1634306						28
28	L. P. G. Tank Mounting Washer	1	664423						29
29	L. P. G. Tank Mounting Nut	1	16D-06						30
30	L. P. G. Tank—20# with Gauge	1	1634497						31
31	L. P. G. Tank Support	1	1634299						32
32	L. P. G. Tank Hold-Down Clip	1	1634305						33
33	L. P. G. Tank Hold-Down Block	1	1634382						34
34	Block Screw	3	58G-1416						35
35	Ground Cable Bolt	1	1C-516						36
36	Ground Cable Lockwasher	3	9E-05						37
37	Ground Cable Nut	2	7D-05						38
38	Interior Wiring Circuit Breaker	1	1629172						39
39	Circuit Breaker Mounting Screw	2	59G-1006						40
40	Circuit Breaker Mounting L.W.	2	15E-10						

CC-139

165

January 1, 1968

ITEM	L. P. G. & AUX. BATTERY COMPARTMENT (CONT'D) (Use Illustration CCM-206)	REQUIRED	Serial No. 501-905						ITEM
	DESCRIPTION								
41	Circuit Breaker Mounting Nut	2	12D-10						41
42	Feed Thru Insulator Nut	2	7D-05						42
43	Feed Thru Insulator Lockwasher	2	9E-05						43
44	Battery Connecting Cable	1	1644313						44
45	Feed Thru Insulator Kit	1	893225						45
46	Battery Cable—Positive	1	1644317						46
47	Battery Cable—Ground	1	1644318						47
48	Cable Clamp Screw	9	61G-0508						48
49	Cable Clamp—Single	7	30H-45						49
	Cable Clamp—Double	2	31H-41						
50	Union	1	40F-7						50
51	Tube Assembly	1	1638393						51
52	Cap	1	1306199						52
53	Elbow	1	940636						53
54	Elbow	1	513912						54
55	Tee	1	1307061						55
56	Union	1	507753						56
57	Elbow	1	513912						57
58	Tube Assembly	1	1638392						58
59	Tube Assembly	1	1638391						59
60	Tee	1	41F-7						60
61	Cap	1	1306199						61
62	Reducing Nut	1	53K-5						62
63	Tube Assembly	1	1654136						63



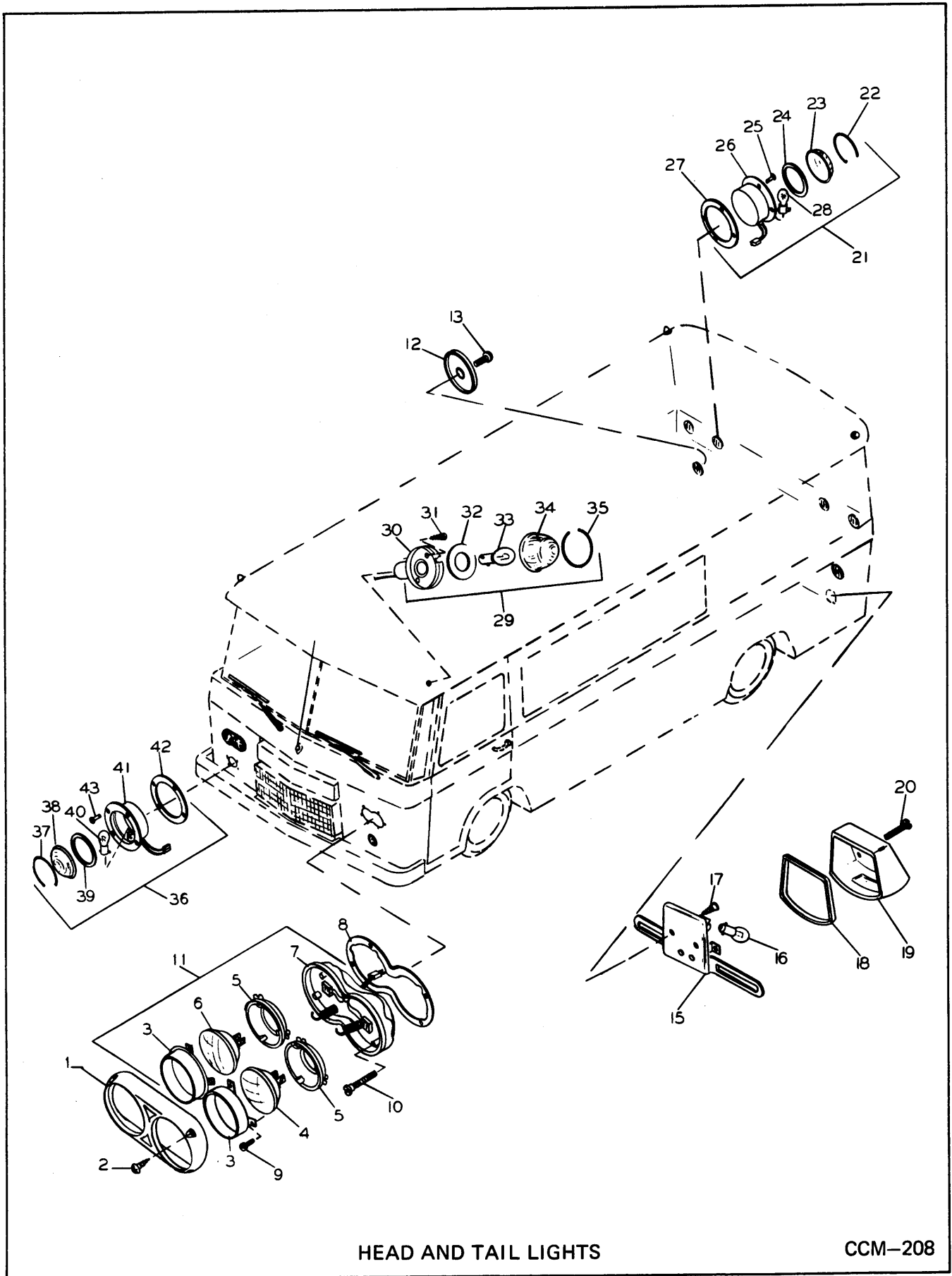
L.P. GAS AND AUXILIARY BATTERY COMPARTMENT

CCM-207

ITEM	L. P. G. AUX. BATTERY COMPARTMENT (Use Illustration CCM-207)	REQUIRED	Serial No. 906-2200						ITEM
	DESCRIPTION								
1	Battery Hold-Down Nut	2	2D-05						1
2	Battery Hold-Down Washer	2	619019						2
3	Battery Hold-Down Clamp	1	1644327						3
4	Battery Hold-Down "J" Bolt	2	1307162						4
5	Battery Hold-Down Clip	2	1634023						5
6	Battery	2	337090						6
7	Battery Pad	2	733115						7
8	Compartment Door Fastener Nut	2	427746						8
9	Door Lower Seal	1	1644352						9
10	Pigtail—28"	1	1700218						10
	POL Connector	2	1628356						
11	Elbow	1	507729						11
12	L. P. G. Regulator	1	1669872						12
13	Regulator Mounting Screw	2	63G-1010						13
14	Elbow	1	42F-8						14
15	Tube Assembly	1	1638394						15
16	Door Upper Seal	1	1644351						16
17	Door Center Seal—14"	1	1644350						17
19	Rubber Moulding—17-1/2"	2	1634121						19
20	Door Hinge	1	1667031						20
21	Door Assembly (Incl. Item 20)	1	1667119						21
22	Door Fastener	2	1673407						22
23	Door Fastener Retainer	2	1612583						23
24	Hinge Screw	6	65G-1008						24
25	Grommet	1	1634273						25
26	L. P. G. Tank Mounting Cotter	1	1F-416						26
27	L. P. G. Tank Mounting "J" Bolt	1	1634306						27
28	L. P. G. Tank Mounting Washer	1	664423						28
29	L. P. G. Tank Mounting Nut	1	23D-06J						29
30	L. P. G. Tank—20# with Gauge	1	1634497						30
31	L. P. G. Tank Support	1	1634299						31
32	L. P. G. Tank Hold-Down Clip	1	1634305						32
33	L. P. G. Tank Hold-Down Block	1	1634382						33
34	Block Screw	3	58G-1416						34
35	Ground Cable Bolt	1	1C-516						35
36	Ground Cable Lockwasher	3	9E-05						36
37	Ground Cable Nut	2	7D-05						37
38	Fuse Holder	1	1680399						38
39	Fuse Holder Mounting Screw	2	63G-1016						39
40	Fuse Adaptor	1	1680400						40

ITEM	L. P. G. & AUX. BATTERY COMPARTMENT (CONT'D) (Use Illustration CCM-207)	REQUIRED	Serial No. 906-2200						ITEM
	DESCRIPTION								
41	Fuse	1	1680398						41
42	Feed Thru Insulator Nut	2	7D-05						42
43	Feed Thru Insulator Lockwasher	2	9E-05						43
44	Battery Connecting Cable	1	1644313						44
45	Feed Thru Insulator Kit	1	893225						45
46	Battery Cable—Positive	1	1644317						46
47	Battery Cable—Ground	1	1644318						47
48	Cable Clamp Screw	9	61G-0508						48
49	Cable Clamp—Single	7	30H-45						49
	Cable Clamp—Double	2	31H-41						
50	Union	1	40F-7						50
51	Tube Assembly	1	1638393						51
52	Tee	1	1620393						52
53	Elbow	1	1673636						53
54	Tube Assembly	1	1638392						54
55	Tube Assembly	1	1638391						55
56	Tube Assembly	1	1638392						56
57	Bumper	2	1634329						57
58	Screw	2	65G-808						58

# CORTEZ DIVISION



HEAD AND TAIL LIGHTS

CCM-208

ITEM	HEAD & TAIL LIGHTS (Use Illustration CCM-208)	REQUIRED	Serial No. 1-905						ITEM
	DESCRIPTION								
1	Headlight Door	2	1614423						1
2	Headlight Door Screw	8	1700318						2
3	Retaining Ring	2	892670						3
4	Sealed Beam—Hi & Lo Beam	1	892671						4
5	Mounting Ring (Ref: Item 11)		N.S.S.						5
6	Sealed Beam—Hi Beam	1	892672						6
7	Headlight Body (Ref: Item 11)		N.S.S.						7
8	Headlight Mounting Gasket	2	336953						8
9	Headlight Mounting Screw	14	14G-1008						9
10	Headlight Adjusting Screw	4	892673						10
11	Headlight Assembly—R.H. (Includes Items 3 thru 7 and 10)	1	1614421						11
	Headlight Assembly—L.H. (Includes Items 3 thru 7 and 10)	1	1614422						
12	Rear Reflector	2	1620317						12
13	Rear Reflector Mounting Screw	2	1700318						13
14	License Plate Bracket & Light Assembly	1	431269						14
15	Bracket & Socket (Ref: Item 14)		N.S.S.						15
16	Bulb	1	427237						16
17	Screw	2	1G-812						17
18	Gasket	1	892674						18
19	Cover	1	892675						19
20	Cover Screw	2	1G-812						20
21	Stop and Tail Light	2	1616216						
	Back-Up Light Assembly	2	1616217						21
22	Lens Retainer	1	892676						22
23	Lens—Red for Stop and Tail	1	892677						23
	Lens—Clear for Back-Up	1	892678						
24	Gasket	1	892679						24
25	Mounting Screw	16	1697183						25
26	Body (Ref: Item 21)		N.S.S.						26
27	Gasket	1	892680						27
28	Bulb—For Stop and Tail Light	1	942746						28
	Bulb—For Back-Up Light	1	506475						
29	Clearance Light—Front Amber	2	431278						29
	Clearance Light—Rear Red	2	431260						
30	Clearance Light Body (Ref: Item 29)		N.S.S.						30
31	Screw	8	57G-608						31
32	Gasket	1	892684						32

CORTEZ DIVISION

ITEM	HEAD & TAIL LIGHTS (CONT'D) (Use Illustration CCM-208)	REQUIRED	Serial No. 1-905						ITEM
	DESCRIPTION								
33	Bulb	1	862525						33
34	Lens—Amber	1	892682						34
	Lens—Red	1	892683						
35	Retainer Ring	1	892681						35
36	Parking & Turn Light Assembly	1	1616224						36
37	Lens Retainer	1	892676						37
38	Lens—Amber	1	892685						38
39	Lens Gasket	1	892679						39
40	Bulb	1	506475						40
41	Body (Ref: Item 36)	1	N.S.S.						41
42	Gasket	1	892680						42
43	Mounting Screw	8	1697193						43

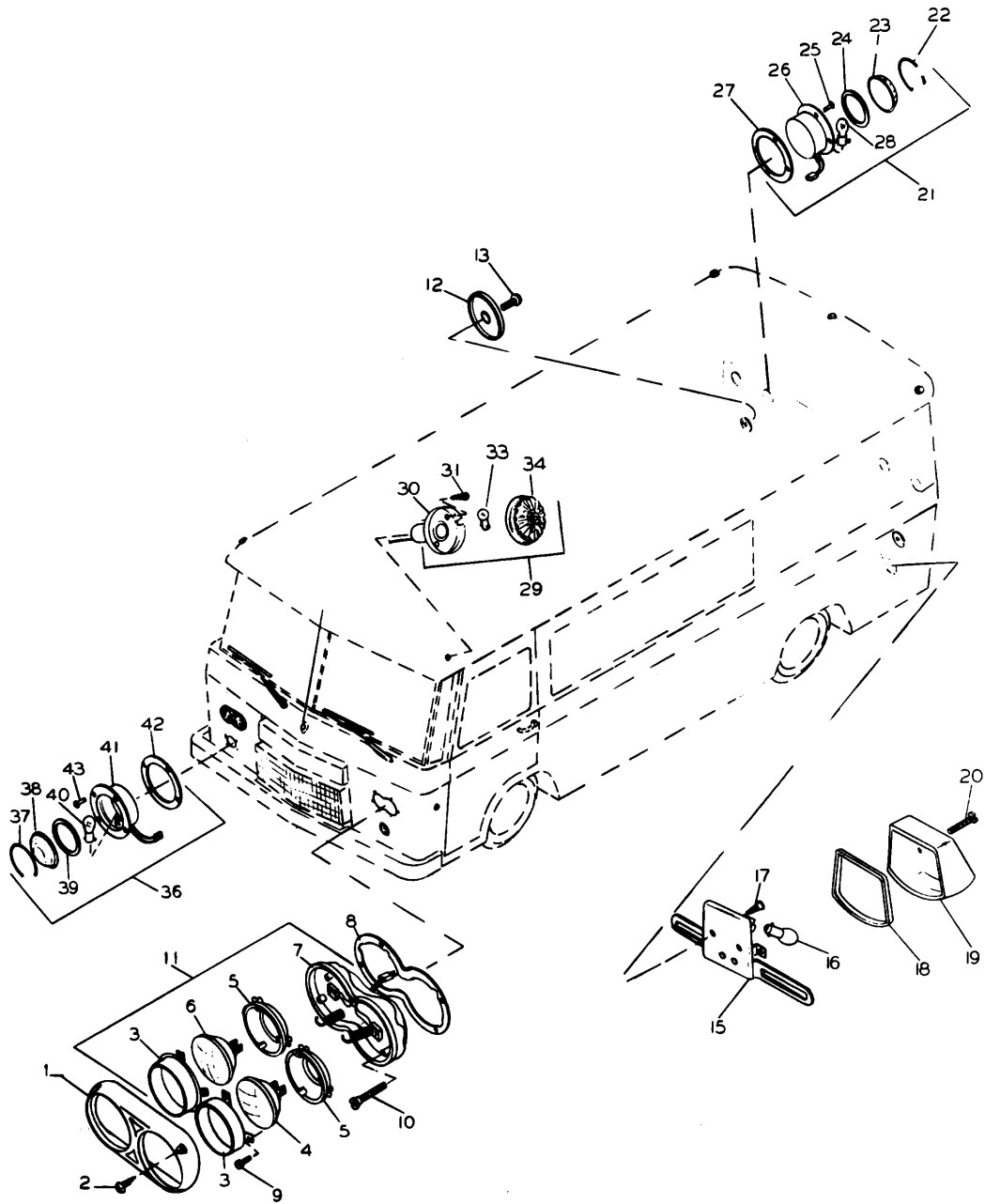
CC-139

174

January 1, 1968



# CORTEZ DIVISION



HEAD AND TAIL LIGHTS

CCM-209

ITEM	HEAD & TAIL LIGHTS (Use Illustration CCM-209)	REQUIRED	Serial No. 906-2200						ITEM
	DESCRIPTION								
1	Headlight Door	2	1614423						1
2	Headlight Door Screw	8	1700318						2
3	Retaining Ring	2	892670						3
4	Sealed Beam—Hi & Lo Beam	1	892671						4
5	Mounting Ring (Ref: Item 11)		N.S.S.						5
6	Sealed Beam—Hi Beam	1	892672						6
7	Headlight Body (Ref: Item 11)		N.S.S.						7
8	Headlight Mounting Gasket	2	336953						8
9	Headlight Mounting Screw	14	14G-1008						9
10	Headlight Adjusting Screw	4	892673						10
11	Headlight Assembly—R.H. (Includes Items 3 thru 7 and 10)	1	1614421						11
	Headlight Assembly—L.H. (Includes Items 3 thru 7 and 10)	1	1614422						
12	Rear Reflector	2	1620317						12
13	Rear Reflector Mounting Screw	2	1700318						13
14	License Plate Bracket & Light Assembly	1	431269						14
15	Bracket & Socket (Ref: Item 14)		N.S.S.						15
16	Bulb	1	427237						16
17	Screw	2	1G-812						17
18	Gasket	1	892674						18
19	Cover	1	892675						19
20	Cover Screw	2	1G-812						20
21	Stop and Tail Light	2	1010189						21
	Back-Up Light Assembly	2	1671432						
22	Lens Retainer	1	1010452						22
23	Lens—Red for Stop and Tail	1	1010449						23
	Lens—Clear for Back-Up	1	1011250						
24	Gasket	1	1010451						24
25	Mounting Screw	16	1697183						25
26	Body (Ref: Item 21)		N.S.S.						26
27	Gasket	1	1010453						27
28	Bulb—For Stop and Tail Light	1	898732						28
	Bulb—For Back-Up Light	1	898731						
29	Clearance Light—Front Amber	4	1670442						29
	Clearance Light—Rear Red	2	1670443						
	Courtesy Light—Rear	1	1671417						
30	Clearance Light Body (Ref: Item 29)		N.S.S.						30
31	Screw	14	57G-608						31

CORTEZ DIVISION

CORTEZ DIVISION

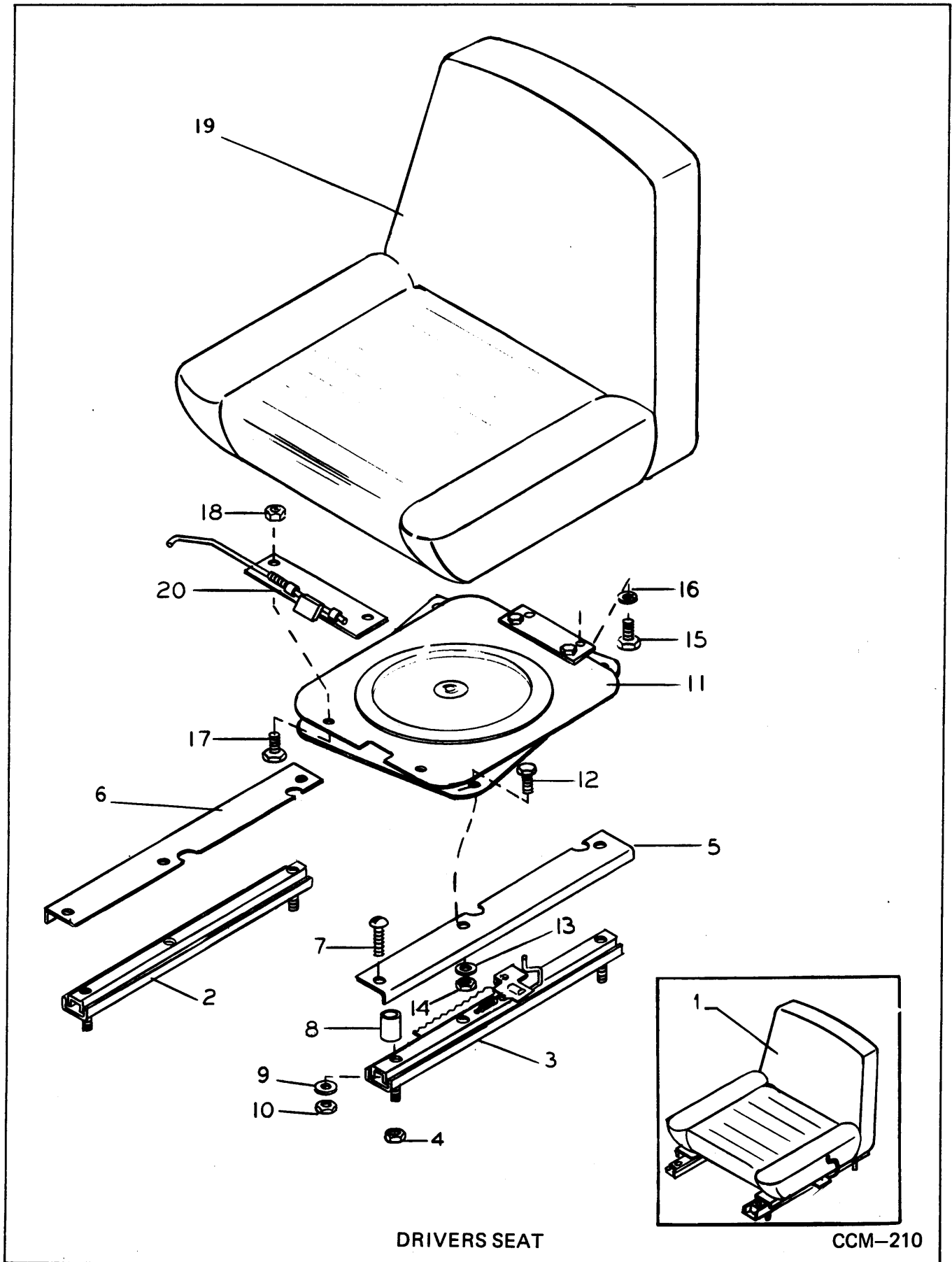
ITEM	HEAD & TAIL LIGHTS (CONT'D) (Use Illustration CCM-209)	REQUIRED	Serial No. 906-2200						ITEM
	DESCRIPTION								
33	Bulb	1	896826						33
34	Lens—Amber	1	898729						34
	Lens—Red	1	898728						
	Lens—Clear	1	898730						
36	Parking & Turn Light Assembly	1	1671431						36
37	Lens Retainer	1	1010452						37
38	Lens—Amber	1	1010450						38
39	Lens Gasket	1	1010451						39
40	Bulb	1	898732						40
41	Body (Ref: Item 36)		N.S.S.						41
42	Gasket	1	1010453						42
43	Mounting Screw	8	1697193						43

CC-138

178

January 1, 1968

# CORTEZ DIVISION



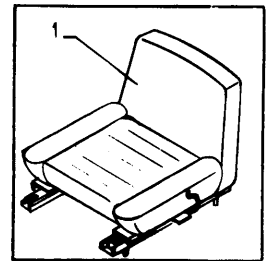
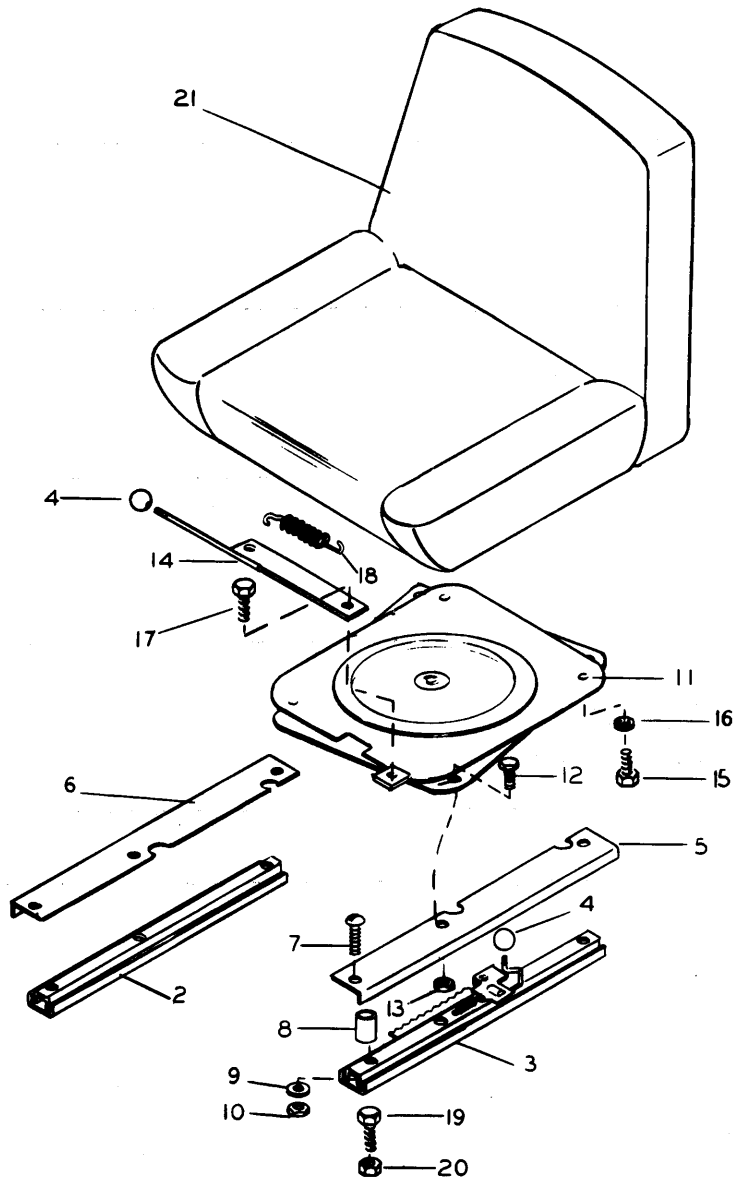
DRIVERS SEAT

CCM-210

ITEM	DRIVERS SEAT (Use Illustration CCM-210)	REQUIRED	Serial No.	Serial No.	Serial No.				ITEM
	DESCRIPTION		1-350	351-400	401-905				
1	Seat Assembly Complete—Green	1	337198	1634055	337198				1
	Seat Assembly Complete—Brown	1	1629183	(Gold)	1629183				2
2	Adjuster—R.H.	1	892107						3
3	Adjuster—L.H.	1	892108						4
4	Adjuster to Floor Nut	4	1D-05						5
5	Adjuster Adapter—L.H.	1	892109						6
6	Adjuster Adapter R.H.	1	892110						7
7	Swivel to Adapter Bolt	4	1C-416						8
8	Swivel to Adapter Spacer	4	743129						9
9	Swivel to Adapter Washer	4	664421						10
10	Swivel to Adapter Nut	4	1D-04						11
11	Swivel Assembly	1	892111						12
12	Swivel to Adapter Bolt	2	1C-408						13
13	Swivel to Adapter Washer	2	664421						14
14	Swivel to Adapter Nut	2	1D-04						15
15	Swivel to Seat Bolt—Rear	2	1C-408						16
16	Swivel to Seat Lockwasher—Rear	2	4E-04						17
17	Swivel to Seat Bolt—Front	2	1C-416						18
18	Swivel to Seat Nut—Front	2	1D-04						19
19	Seat Cushion—Green	1	892112	896485	892112				20
	Seat Cushion—Brown	1	893872	(Gold)	893872				
20	Latch Assembly	1	893873						

CORTEZ DIVISION

# CORTEZ DIVISION

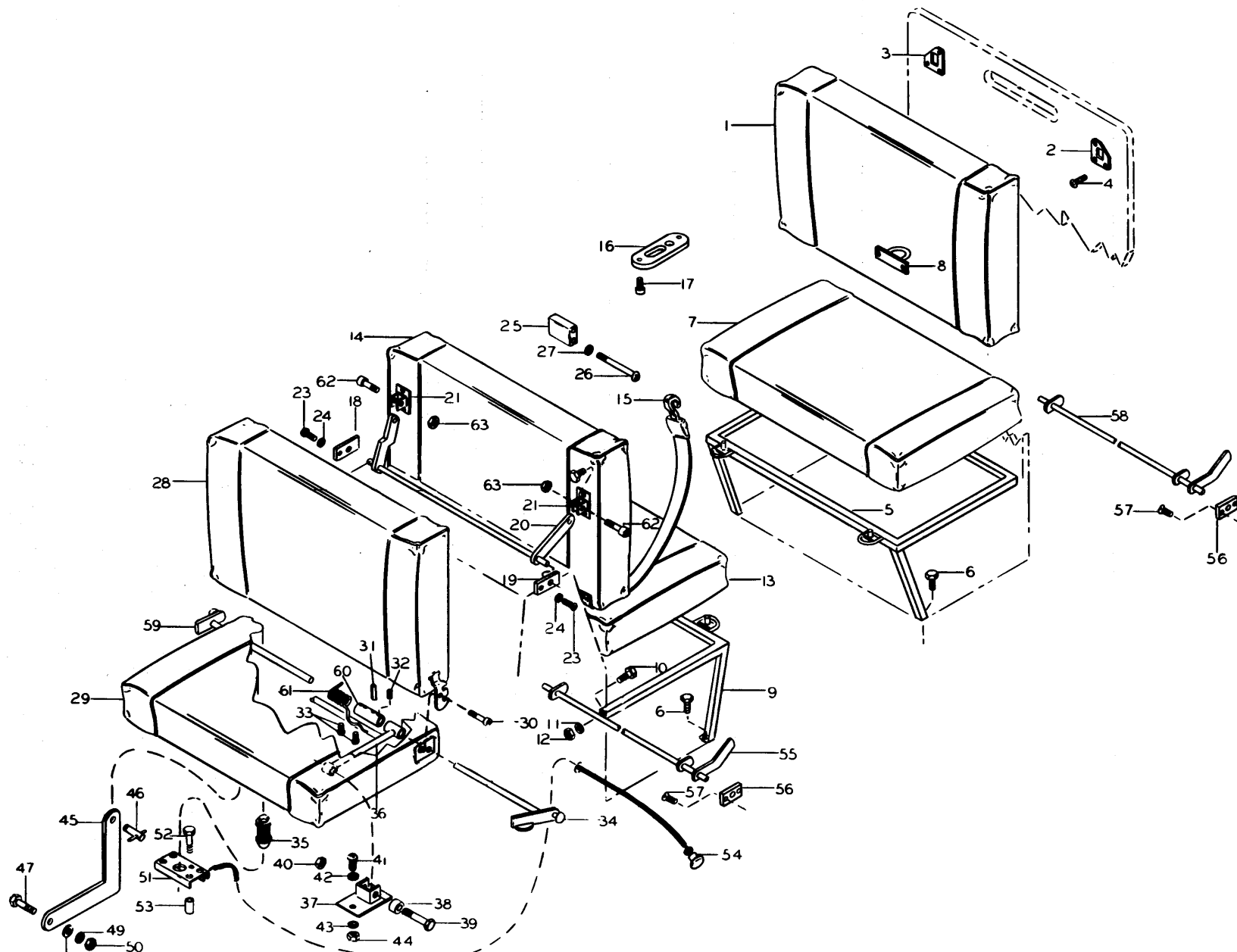


DRIVERS SEAT

CCM-211

ITEM	DRIVERS SEAT (Use Illustration CCM-211)	REQUIRED	Serial No. 906-1405	Serial No. 1406-1800	Serial No. 1801-2200	ITEM
	DESCRIPTION					
1	Seat Assembly Complete—Green		1672249	1700716	1693960	1
	Seat Assembly Complete—Brown		1672251	1700715	1693961	
2	Adjuster—R.H.	1	899028			2
3	Adjuster—L.H.	1	899029			3
4	Knob	2	643892			4
5	Adjuster Adaptor—L.H.	1	892109			5
6	Adjuster Adaptor—R.H.	1	892110			6
7	Swivel to Adaptor Bolt	4	1C-416J			7
8	Swivel to Adaptor Spacer	4	743129			8
9	Swivel to Adaptor Washer	4	23E-04			9
10	Swivel to Adaptor Nut	4	1D-04J			10
11	Swivel Assembly	1	899030			11
12	Swivel to Adaptor Bolt	4	4G-416J			12
13	Swivel to Adaptor Nut	4	1D-04J			13
14	Latch Arm	1	899031			14
15	Swivel to Seat Bolt	2	1C-416J			15
16	Swivel to Seat Nut	2	1D-04J			16
17	Latch Arm Shoulder Bolt	1	899032			17
18	Spring	1	899033			18
19	Adjustor to Floor Bolt	4	4G-532J			19
20	Adjustor to Floor Nut	8	1D-05J			20
21	Seat Cushion—Green	1	899034			21
	Seat Cushion—Brown	1	899035			

CORTEZ DIVISION



DINETTE AND COMPANION SEATS

CCM-212

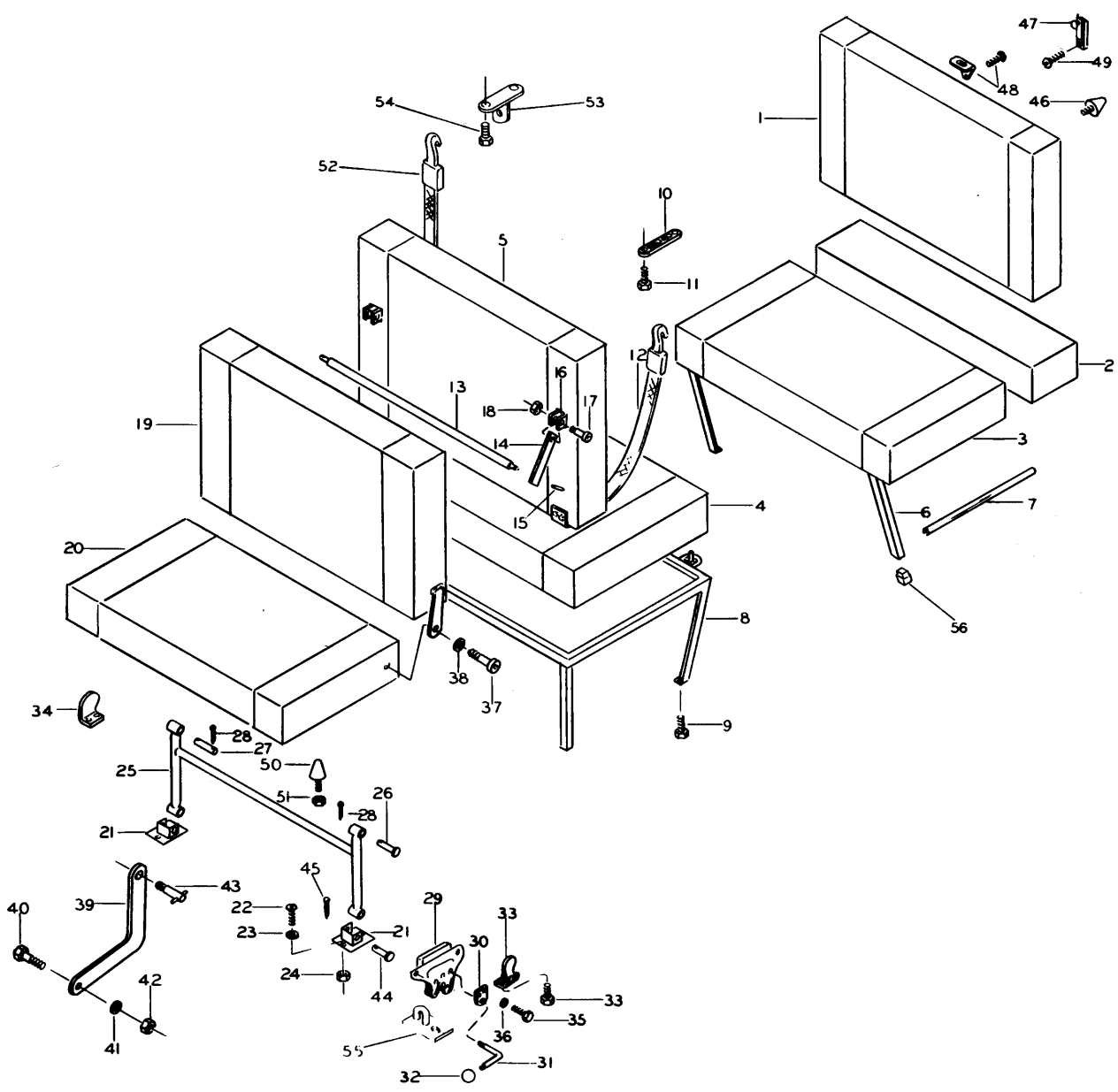


ITEM	DINETTE & COMPANION SEATS (Use Illustration CCM-212)	REQUIRED	Serial No.	Serial No.	Serial No.				ITEM
	DESCRIPTION		1-350	351-400	401-905				
1	Rear Dinette Seat Back—Green	1	1629197	1634058*	1651006†				1
	Rear Dinette Seat Back—Brown	1	1629198	Not Used	1651007§				2
2	Seat Back Lock Plate—L.H.	1	1623401						3
3	Seat Back Lock Plate—R.H.	1	1623400						4
4	Lock Plate Screw	6	32G-812N						5
5	Seat Cushion Frame—Rear	1	1699383	1634068	1699383				6
6	Frame Screw	6	1620366						7
7	Dinette Seat Cushion—Green	1	1629195	1634057*	1651008†				8
	Dinette Seat Cushion—Brown	1	1629196		1651009§				9
8	Seat Back Stop	1	1624718						10
9	Seat Cushion Frame—Front	1	1699360	1634067*	1699360				11
10	Seat Frame Bolt	2	1C-424						12
11	Seat Frame Lockwasher	2	4E-04						13
12	Seat Frame Nut	2	1D-04						14
13	Dinette Seat Cushion—Green	1	1629191	1634056*	1651010†				15
	Dinette Seat Cushion—Brown	1	1629192		1651011§				16
14	Front Dinette Seat Back—Green	1	1629193	1633431*	1651012†				17
	Front Dinette Seat Back—Brown	1	1629194		1651013§				18
15	Front Dinette Seat Back Strap	1	1619083						19
16	Strap Bracket	1	1620368						20
17	Strap Bracket Screw	3	58G-1008N						21
18	Bracket, Pivot Assembly Support—R.H.	1	1617168						22
19	Bracket, Pivot Assembly Support—L.H.	1	1623862						23
20	Pivot Assembly	1	1617167						24
21	Pivot Bracket Assembly	2	1617170						25
22	Pivot Bracket Screw	4	14G-1208N						26
23	Screw	4	80G-412N						27
24	Lockwasher	4	4E-04						28
25	Seat Back Stop	2	1617193						29
26	Seat Back Stop Screw	2	58G-1440N						30
27	Seat Back Stop Washer	2	664421						31
28	Companion Seat Back—Green	1	1629189	1633430*	1651022†				32
	Companion Seat Back—Brown	1	1629190		1651023§				33
29	Companion Seat Cushion—Green	2	1629187	1633428*	1651024†				34
	Companion Seat Cushion—Brown	2	1629188		1651025§				
30	Shoulder Screw	2	1629087						
31	Roll Pin	2	774883						
32	Set Screw	2	35G-1003						
33	Spring Anchor Screw	2	23G-1006						
34	Index Shaft and Lever—L.H.	1	1638375						

NOTE: \*—Gold †—Sand §—Mocha

ITEM	DINETTE & COMPANION SEATS (CONT'D) (Use Illustration CCM-212)	REQUIRED	Serial No.	Serial No.				ITEM
	DESCRIPTION		101-400	401-905				
35	Dove Tail	1	1620346					35
36	Leg Assembly	1	1634074					36
37	Pivot Block	2	1623418					37
38	Spacer	2	1629064	1654140				38
39	Shoulder Screw	2	1305373	675172				39
40	Nut	2	1D-05					40
41	Screw	6	76G-416					41
42	Washer	6	664402					42
43	Lockwasher	6	4E-04					43
44	Nut	6	1D-04					44
45	Link Assembly	1	1617181					45
46	Faspin	1	1604698					46
47	Anchor Bolt	1	1617180					47
48	Washer	1	664425					48
49	Lockwasher	1	4E-08					49
50	Nut	1	1D-08					50
51	Latch Assembly	1	1620345					51
52	Latch Bolt	4	14G-1432	1C-432				52
53	Latch Bolt Spacer	4	755615					53
54	Release Cable w/Knob	1	1616312					54
55	Front Dinette Seat Adjuster	1	1629142					55
56	Seat Adjustor Pivot Block	4	1629137					56
57	Pivot Block Screw	8	57G-1012					57
58	Rear Dinette Seat Adjuster	1	1629140					58
59	Index Shaft Assembly—R.H.	1	1638377					59
60	Index Shaft Coupling	1	1638372					60
61	Index Spring	1	1638369					61
62	Pivot Bolt	2	1638235					62
63	Pivot Bolt Nut	2	1D-05					63
64	Bed Support Bracket Extension (Kit) (Not Shown)	2	1680893					64

CORTEZ DIVISION



DINETTE AND COMPANION SEATS

CCM-213

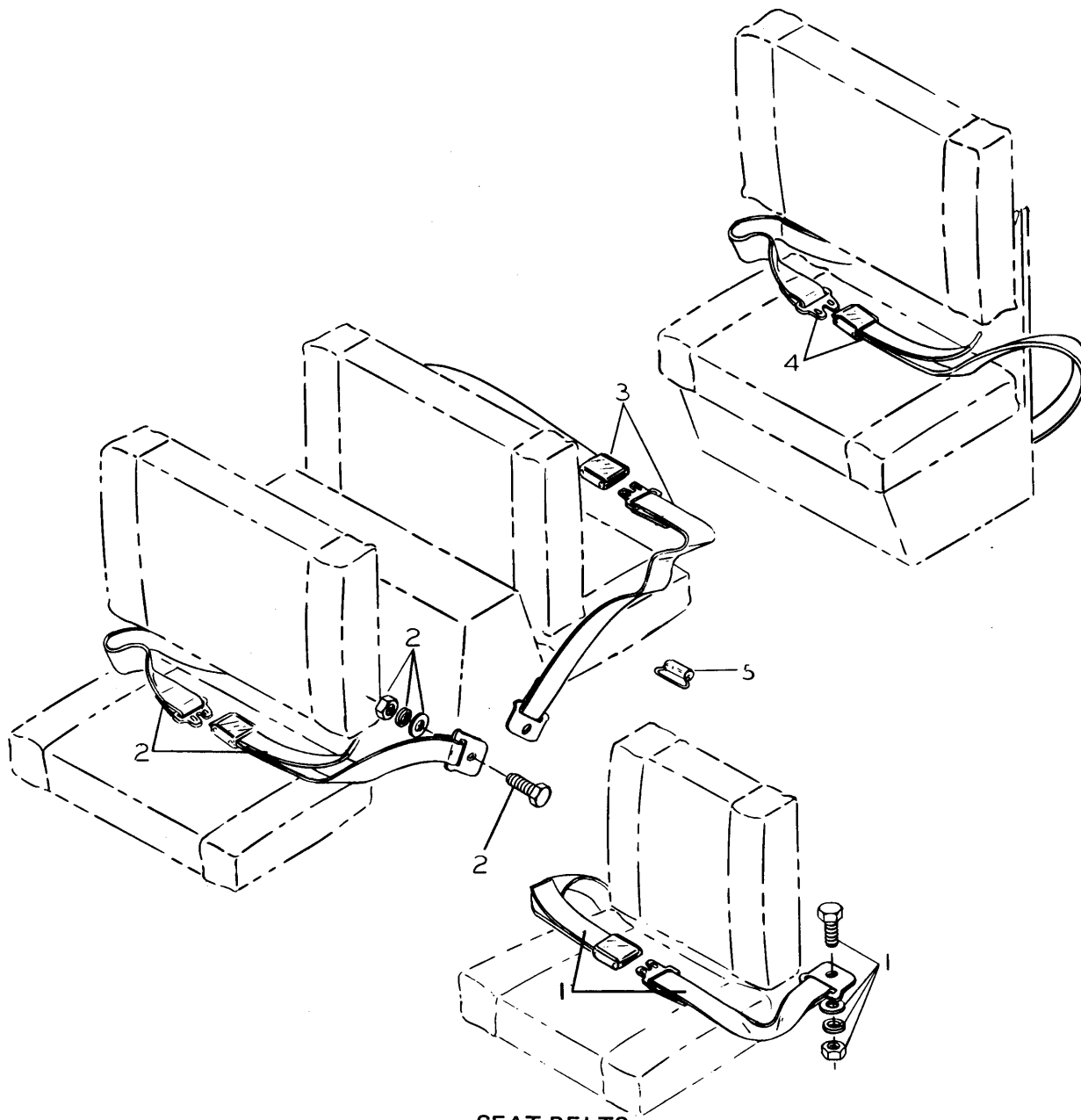
CORTEZ DIVISION

ITEM	DINETTE & COMPANION SEATS (Use Illustration CCM-213)	REQUIRED	Serial No. 906-1405	Serial No. 1406-2200					ITEM
	DESCRIPTION								
1	Rear Dinette Seat Back—Green	1	1682091	1693958					1
	Rear Dinette Seat Back—Brown	1	1682092	1693959					
2	Fill In Cushion—Green	1	1673983						2
	Fill In Cushion—Brown	1	1673984						
3	Dinette Seat Cushion—Green	1	1682098	1693956					3
	Dinette Seat Cushion—Brown	1	1682099	1693957					
4	Dinette Seat Cushion—Green	1	1682077	1693912					4
	Dinette Seat Cushion—Brown	1	1682078	1693913					
5	Front Dinette Seat Back—Green	1	1682084	1693914					5
	Front Dinette Seat Back—Brown	1	1682085	1693915					
6	Back Seat Frame and Slide Assembly	1	1669738						6
7	Wear Strips (96")	AR	1670179						7
8	Seat Cushion Frame—Front	1	1667610						8
9	Bolt	6	10G-420						9
10	Bracket, Strap	1	1620368						10
11	Strap Bracket Screw	3	58G-1008						11
12	Front Dinette Seat Back Strap	1	1619083						12
13	Pivot Shaft	1	1305832						13
14	Pivot Shaft Arm	2	1617987						14
15	Setscrew	2	35G-1004						15
16	Pivot Bracket Assembly	2	1617170						16
17	Pivot Bolt	2	1638235						17
18	Pivot Bolt Nut	2	1D-05						18
19	Companion Seat Back—Green	1	1671103	1693693					19
	Companion Seat Back—Brown	1	1671104	1693694					
20	Companion Seat Cushion—Green	1	1671105	1693899					20
	Companion Seat Cushion—Brown	1	1671106	1693900					
21	Pivot Block	2	1623418						21
22	Screw	6	76G-416						22
23	Washer	6	664402						23
24	Nut	6	17D-1J						24
25	Leg Assembly	1	1670743						25
26	Pin	1	878693						26
27	Pin	1	600108						27
28	Cotter	3	1F-412						28
29	Latch	1	1670145						29
30	Bracket, Release Handle	1	1670441						30
31	Release Rod	1	1670050						31
32	Knob	1	643892						32

CORTEZ DIVISION

ITEM	DINETTE & COMPANION SEATS (CONT'D) (Use Illustration CCM-213)	REQUIRED	Serial No.	Serial No.					ITEM
	DESCRIPTION		906-1405	1406-2200					
33	Bracket, Latching L.H.	1	1693687						33
34	Bracket, Latching R.H.	1	1681546						34
35	Screw	2	59G-1008						35
36	Washer	2	664419						36
37	Shoulder Bolt	2	1667964						37
38	Washer	4	664423						38
39	Link Assembly	1	1617181						39
40	Anchor Bolt	1	1617180						40
41	Washer	1	664425						41
42	Locknut	1	17D-65						42
43	Faspin	1	1304698						43
44	Pin	1	211878						44
45	Cotter	1	1F-412						45
46	Bumper	2	1673429						46
47	Latch	1	1628310						47
48	Latch Plate	1	1681545						48
49	Screw	2	57G-616						49
50	Bumper Companion Seat	1	1673429						50
51	Jam Nut	1	8D-06						51
52	Front Dinette Seat Back Strap	1	1678285						52
53	Bracket, Strap	1	1617199						53
54	Strap Bracket Screw	2	1310141						54
55	Latch Catch	2	1670057						55
56	Rocker, Plastic Glide	2	1663138						56

CORTEZ DIVISION



SEAT BELTS

CCM-214

CORTEZ DIVISION

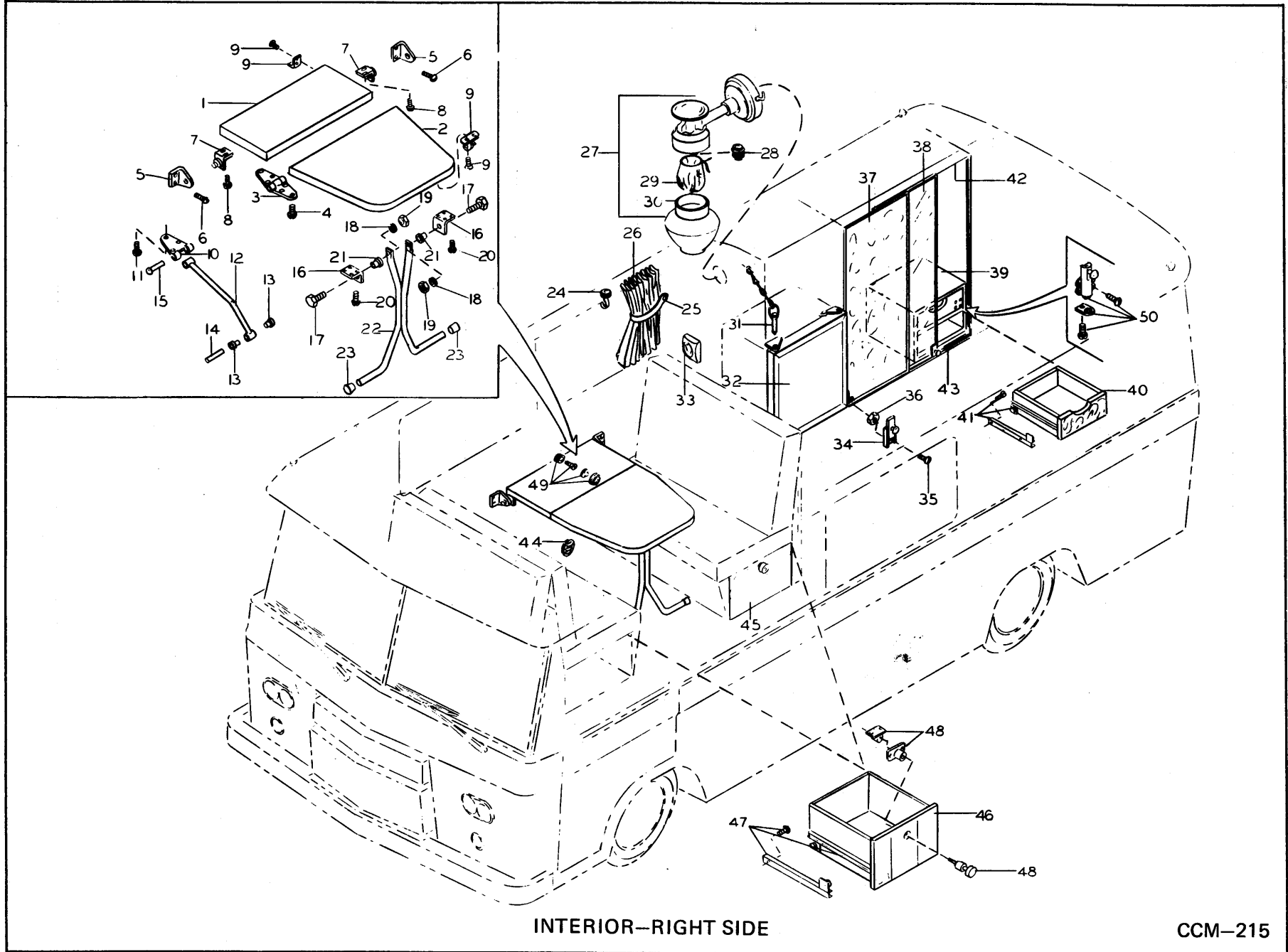
ITEM	SEAT BELTS (Use Illustration CCM-214)	REQUIRED	Serial No. 1-1801	Serial No. 1801-2200					ITEM
	DESCRIPTION								
1	Drivers Seat Belt Kit	1	1616369	1722460					1
2	Companion Seat Belt Kit	1	1616372	1722461					2
3	Front Dinette Seat Belt Kit	1	1616371	1722462					3
4	Rear Dinette Seat Belt Kit	1	1616370	1722463					4
5	Seat Belt Take-Up	8	1638243						5
	Bolt (Not Shown)	8		2C-720					
	Washer (Not Shown)	8		1311541					
	Nut (Not Shown)	8		62D-07					

CC-139

193

January 1, 1968

# CORTEZ DIVISION



INTERIOR-RIGHT SIDE

CCM-215

CC-139

194

January 1, 1968



# CORTEZ DIVISION

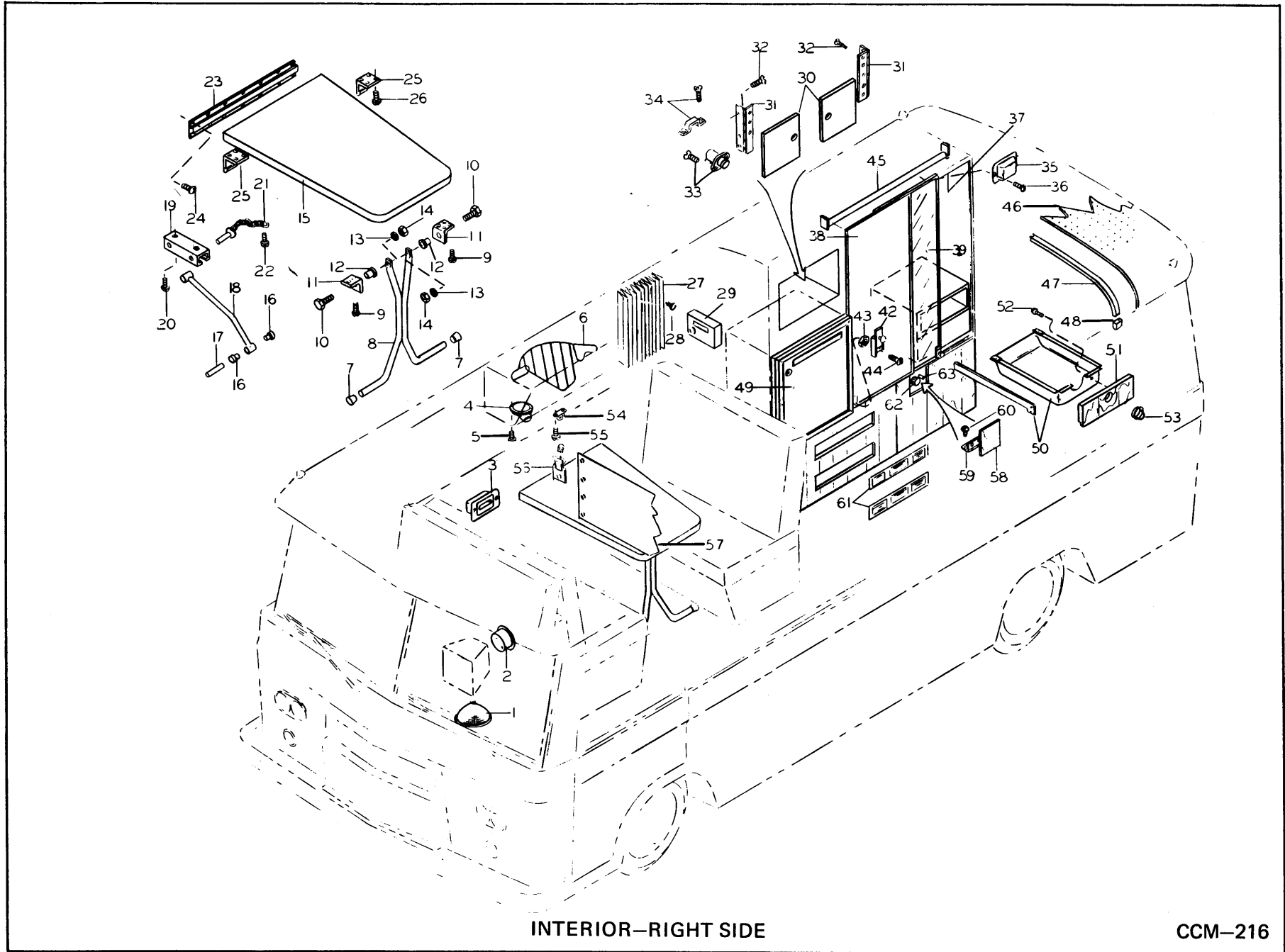
ITEM	INTERIOR — RIGHT SIDE (Use Illustration CCM-215)	REQUIRED	Serial No. 101-350 401-500						ITEM
	DESCRIPTION								
1	Table Top (Specify Color—Orange/Gray)	1	1628395						1
2	Table Top (Specify Color—Orange/Gray)	1	1628394						2
3	Hinge	4	1629386						3
4	Hinge Screw	32	51G-912						4
5	Bracket, Table Hinge	2	1624743						5
6	Table Hinge Bracket Screw	6	58G-1012N						6
7	Table Hinge	2	1628393						7
8	Table Hinge Screw	6	59G-1012						8
9	Catch, Latch and Screws	1	1628321						9
10	Hinge	1	1629386						10
11	Hinge Screw	4	51G-1012						11
12	Table Leg Brace	1	1628362						12
13	Bushing	2	1628391						13
14	Brace Pin	1	669107						14
15	Hinge Rivet	1	1H-428						15
16	Bracket, Table Leg Hinge	2	1628360						16
17	Table Leg Bolt	2	41G-1214						17
18	Table Leg Bolt Lockwasher	2	14E-12						18
19	Table Leg Bolt Nut	2	14D-12						19
20	Hinge Bracket Screw	8	58G-1012						20
21	Bushing	2	1628392						21
22	Table Leg Assembly	1	1628363						22
23	Plastic Cap	2	1628390						23
24	Drapery Slide	54	1699419						24
25	Drapery Hold Strap—R.H. Side	1	1633451						25
	Drapery Hold Strap—L.H. Side	1	1633452						
26	Drapery—R.H. Side (Green Unit)	2	1634241						26
	Drapery—R.H. Side (Brown Unit)	2	1634242						
	Drapery—L.H. Side (Green Unit)	2	1634239						
	Drapery—L.H. Side (Brown Unit)	2	1634240						
27	Gas Lamp Assembly	2	337184						27
28	Burner Nose	1	893892						28
29	Mantel (Package of 3)	1	893891						29
30	Globe	1	893890						30
31	Refrigerator Door Pin	1	1620350						31
32	Refrigerator	1	1628300						32
33	Thermostat	1	893942						33
34	Wardrobe Door Latch	2	1634200						34
35	Latch Screw	4	1G-606						35

CC-139

195

January 1, 1968

ITEM	INTERIOR — RIGHT SIDE (CONT'D) (Use Illustration CCM-215)	REQUIRED	Serial No. 101-350 401-500						ITEM
	DESCRIPTION								
36	Latch Screw Nut	4	12D-6						36
37	Wardrobe Door—Wood	1	Reference						37
38	Wardrobe Door—With Mirror	1	1644300						38
39	Cabinet Assembly	1	Reference						39
40	Cabinet Drawer	2	Reference						40
41	Cabinet Drawer Slide—Set	2	1624738						41
42	Upper Track (Units w/Ball Type Glide)	45-1/4"	1699378						42
	Upper Track (Units w/o Ball Type Glide)	1	1634344						
	Upper Glide (Units w/o Ball Type Only)	2	1634347						
43	Lower Track (Units w/Ball Type Glide)	1	1630678						
	Lower Track (Units w/o Ball Type Glide)	1	1634345						43
	Lower Ball & Carrier (Units w/Ball Type Glide Only)	2	1630677						
	Lower Shoe (Units w/Ball Type Glide Only)	2	1630676						
	Lower Glide (Units w/o Ball Type Glide Only)	2	1634348						
44	Midget Louver	2	1699331						44
45	Rear Dinette Seat Drawer	1	Reference						45
46	Front Dinette Seat Drawer	1	Reference						46
47	Drawer Slide—Set	2	1631378						47
48	Drawer Catch	2	1634332						48
49	Table Bumper	1	1634351						49
50	Wardrobe Cabinet Catch	1	1638222						50
	Downshift Decal (Not Shown)	1	1644311						



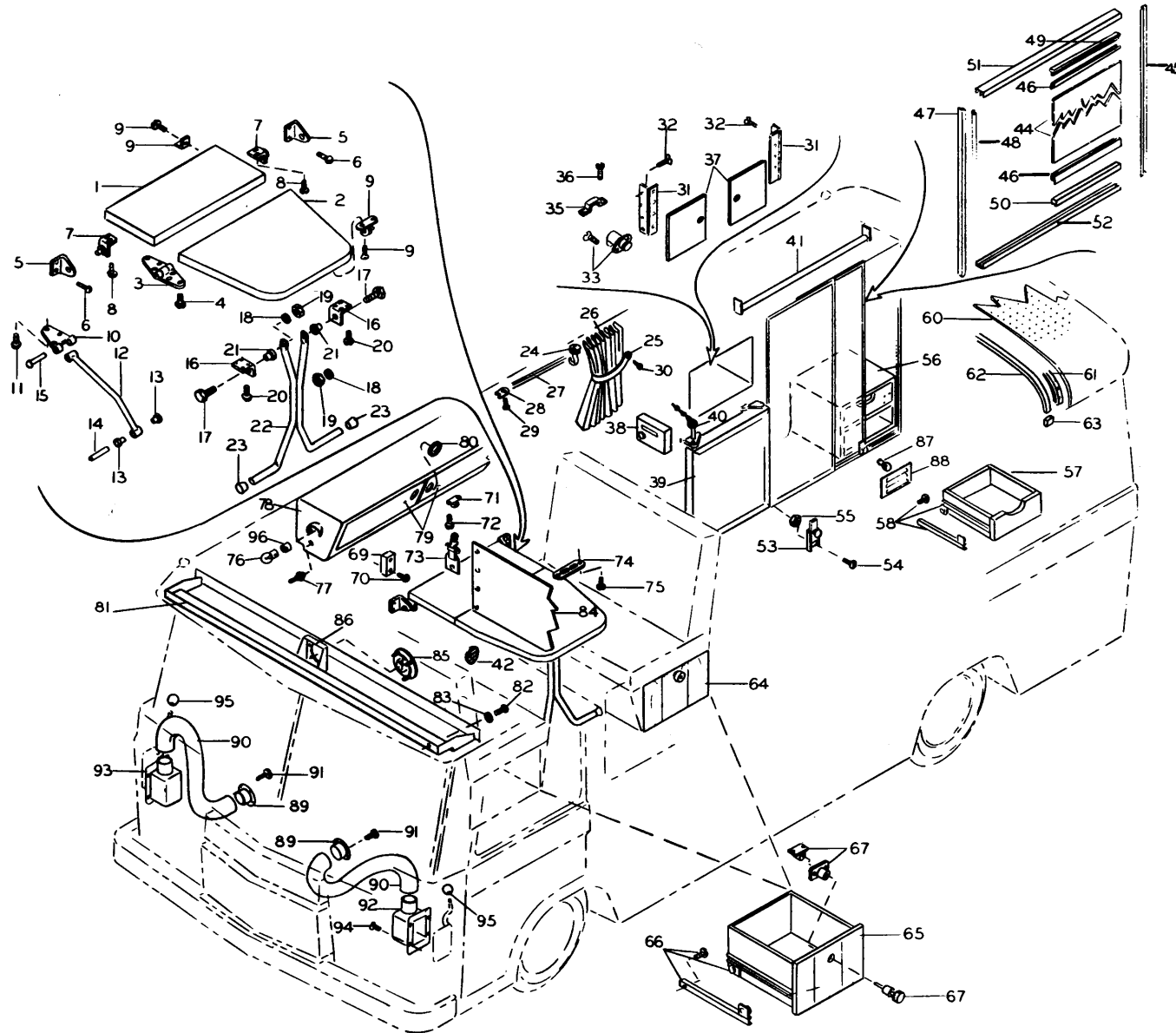
INTERIOR-RIGHT SIDE

CCM-216

ITEM	INTERIOR — RIGHT SIDE (Use Illustration CCM-216)	REQUIRED	Serial No. 351-400						ITEM
	DESCRIPTION								
1	Front Speaker (Kit)	1	1638313						1
2	Clock	1	1634266						2
3	Ash Tray	2	1633475						3
4	Light Fixture	2	1634085						4
5	Light Fixture Mounting Screw	4	32G-808N						5
7	Plastic Cap	2	1628390						7
8	Table Leg Assembly	1	1628363						8
9	Hinge Bracket Screw	8	58G-1012						9
10	Bolt	2	41G-1214						10
11	Bracket, Hinge	2	1628360						11
12	Bushing	2	1628392						12
13	Lockwasher	2	14E-12						13
14	Nut	2	14D-12						14
15	Table Top	1	1634101						15
16	Bushing	2	1628391						16
17	Pin	1	669107						17
18	Brace Assembly	1	1634110						18
19	Slide	1	1634108						19
20	Slide Screw	2	58G-1012						20
21	Pin Assembly	1	1300534						21
22	Pin Assembly Screw	1	58G-808						22
23	Table Track	1	1634100						23
24	Table Trace Screw	9	32G-1016						24
25	Bracket, Table Hinge	2	1634113						25
26	Table Hanger Bracket Screw	6	51G-1012						26
27	Curtain	4	1638239						27
28	Curtain Snap Stud	4	1617113						28
29	Thermostat	1	1638225						29
30	Door Assembly	2	Reference						30
31	Hinge	2	1634243						31
32	Hinge Screw	12	57G-408						32
33	Latch	2	1634148						33
34	Strike	2	1634149						34
35	Dome Light	2	1638295						35
36	Dome Light Mounting Screw	4	58G-606						36
37	Upper Track	1	1634344						37
	Upper Glide	2	1634347						
38	Wardrobe Door	1	Reference						38
39	Mirrored Wardrobe Door	1	1634029						39

ITEM	INTERIOR — RIGHT SIDE (CONT'D) (Use Illustration CCM-216)	REQUIRED	Serial No. 351-400						ITEM
	DESCRIPTION								
40	Lower Track	1	1634345						40
	Lower Glide	2	1634348						
41	Grille	2	1638309						41
42	Latch	2	1634200						42
43	Nut	4	12D-06						43
44	Bolt	4	1G-606						44
45	Clothes Pole	1	1624728						45
46	Headliner (4' x 8' Sheet)	AR	1699467						46
47	Headliner Retainer Strip	AR	1631336						47
48	Retainer Strip Cap	AR	1631337						48
49	Refrigerator	1	1634006						49
50	Drawer Set	2	1634268						50
51	Drawer Front	2	Reference						51
52	Drawer Front Mounting Screw	8	857593						52
53	Recessed Pull	2	1699412						53
54	Bracket, Curtain Support	1	1617199						54
55	Curtain Support Bracket Screw	2	32G-608N						55
56	Curtain Support Strap	1	1620319						56
57	Curtain	1	1619099						57
58	Access Door	1	Reference						58
59	Access Door Hinge	1	1638339						59
60	Access Door Hinge Screw	4	51G-408						60
61	Grille	2	1638309						61
62	Fuse Holder	1	798863						62
	Fuse—14 Amp	1	661556						
63	Reset Switch	1	894386						63
	Radio Speaker (Only)	1	2098000						

# CORTEZ DIVISION



INTERIOR-RIGHT SIDE

CCM-217

ITEM	INTERIOR RIGHT SIDE (Use Illustration CCM-217)	REQUIRED	Serial No. 501-905						ITEM
	DESCRIPTION								
1	Table Top (Wall Side)—Gray	1	1660605						1
	Table Top (Wall Side)—Orange	1	1660606						
2	Table Top (Isle Side)—Gray	1	1660603						2
	Table Top (Isle Side)—Orange	1	1660604						
3	Hinge	4	1628386						3
4	Hinge Screw	32	51G-912						4
5	Bracket, Table Hinge	2	1624743						5
6	Table Hinge Bracket Screw	6	58G-1012N						6
7	Table Hinge	2	1628393						7
8	Table Hinge Screw	6	59G-1012						8
9	Catch Latch and Screws	1	1628321						9
10	Hinge	1	1629386						10
11	Hinge Screw	4	51G-1012						11
12	Table Leg Brace	1	1628362						12
13	Bushing	2	1628391						13
14	Brace Pin	1	669107						14
15	Hinge Rivet	1	1H-428						15
16	Bracket, Table Leg Hinge	2	1628360						16
17	Table Leg Bolt	2	41G-1214J						17
18	Table Leg Bolt Lockwasher	2	14E-12						18
19	Table Leg Bolt Nut	2	14D-12						19
20	Hinge Bracket Screw	8	58G-1012J						20
21	Bushing	2	1628392						21
22	Table Leg Assembly	1	1628363						22
23	Plastic Cap	1	1662255						23
24	Drapery Slide	1	1654148						24
25	Drapery Hold-Down Strap	2	1633452						25
26	Curtain	2	1649380						26
27	Right Hand Drapery Track—Rear	1	1634291						27
	Right Hand Drapery Track—Front	1	1634293						
28	Clip Track Mounting	10	1634294						28
29	Screw	10	57G-608						29
30	Male Snap	4	1617113						30
31	Hinge	2	1654143						31
32	Screw	16	57G-408						32
33	Latch	2	1634148						33
34	Screw Latch	4	18G-1008						34
35	Latch Striker	2	1634149						35
36	Screw Striker	4	18G-812						36
37	Wardrobe Cabinet Door	2	Reference						37

ITEM	INTERIOR RIGHT SIDE (CONT'D) (Use Illustration CCM-217)	REQUIRED	Serial No. 501-905						ITEM
	DESCRIPTION								
38	Thermostat	1	1654197						38
39	Refrigerator	1	1628300						39
40	Refrigerator Door Pin	1	1620350						40
41	Clothes Pole w/Screw	1	1624728						41
42	Midget Louvers	2	1699331						42
43	Wardrobe Door—Wood	1	Reference						43
44	Mirror	1	1651038						44
45	Door Pull Edge	2	1634349						45
46	Top and Bottom Door Edge	4	1634346						46
47	Door Edge	2	1634350						47
48	Vinyl Tape	AR	1634456						48
49	Top Dood Guide	2	1634347						49
50	Bottom Door Guide	2	1634348						50
51	Top Channel	1	1634344						51
52	Bottom Track	1	1634345						52
53	Wardrobe Door Latch	2	1634200						53
54	Latch Screw	4	1G-60J						54
55	Latch Screw Nut	4	12D-6J						55
56	Cabinet Assembly	1	Reference						56
57	Cabinet Drawer	1	Reference						57
58	Drawer Slide Set	2	1624738						58
59	Wardrobe Cabinet Catch	2	1638222						59
60	Headliner 4' x 8' Sheet	AR	1662938						60
61	Headliner Divider 96"	AR	1699470						61
62	Moulding 96' Strip	AR	1631336						62
63	Moulding End Cap	20	1631337						63
64	Rear Dinette Seat Drawer	1	Reference						64
65	Front Dinette Seat Drawer	1	Reference						65
66	Drawer Slide Set	2	1631378						66
67	Drawer Catch	2	1634332						67
68	Table Bumper	1	1634351						68
69	Seat Bumper	1	1617193						69
70	Screw	2	58G-1440						70
71	Curtain Support	1	1617199						71
72	Screw	2	32G-608						72
73	Curtain Support Strap	1	1620319						73
74	Bracket, Bed Support Strap	1	1620368						74
75	Screw	2	58G-1008						75
76	Light Bulb	9	1628344						76
77	Light Switch	9	1699314						77

CORTEZ DIVISION



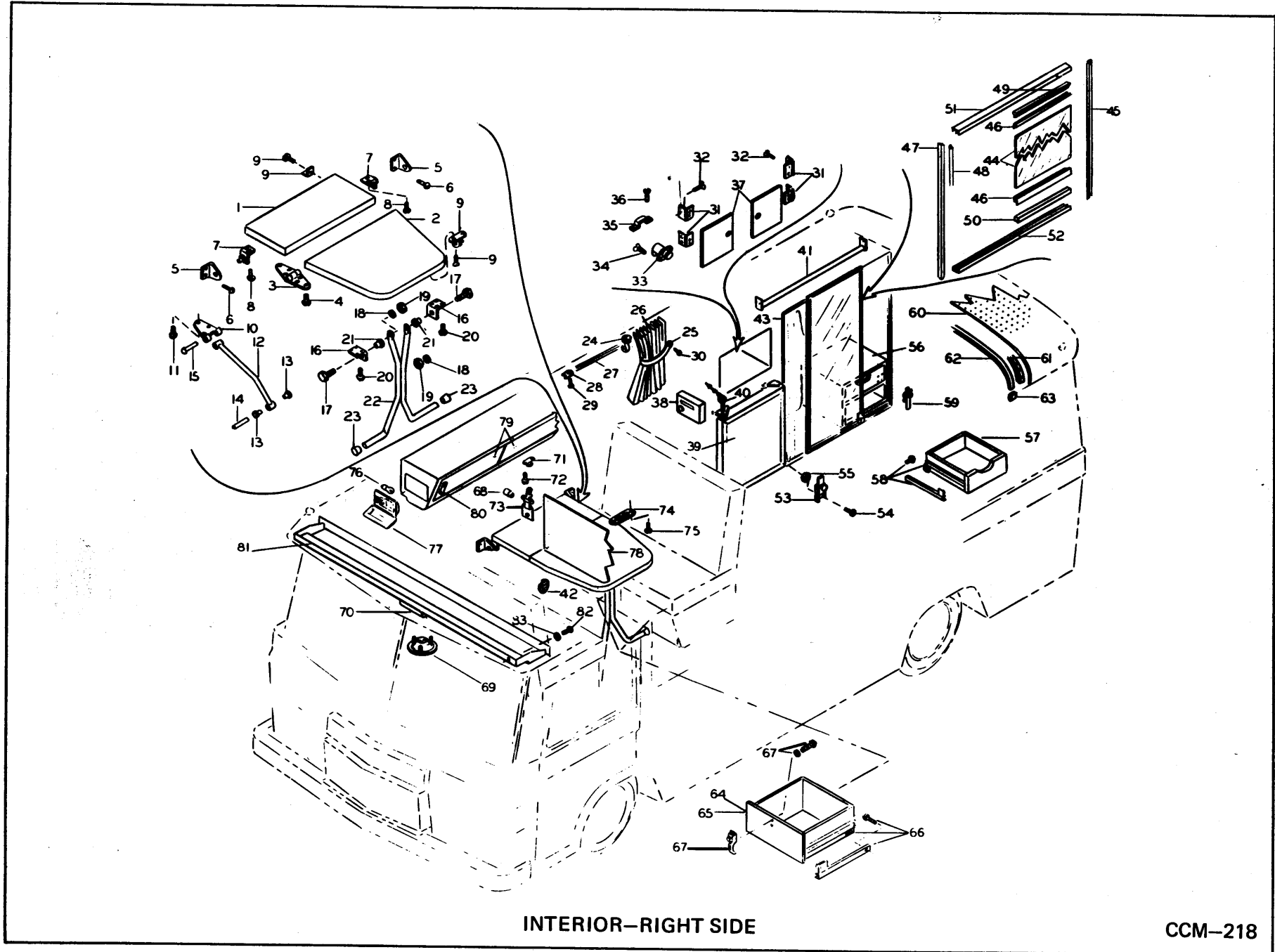
CORTEZ DIVISION

ITEM	INTERIOR RIGHT SIDE (CONT'D) (Use Illustration CCM-217)	REQUIRED	Serial No. 501-905						ITEM
	DESCRIPTION								
78	Overhead Cabinet Assembly R.H.	1	1651059						78
79	Doors Overhead Cabinet	2	1651061						79
80	Door Finger Pull	2	1699407						80
81	Driver Overhead Shelf	1	1634307						81
82	Screw	7	58G-1008						82
83	Lockwasher	7	15E-10						83
84	Curtain	1	1619099						84
85	Front Radio Speaker (Kit)	1	1638313						85
86	Bracket, Speaker Mounting	1	1654137						86
87	Rear Courtesy Light Bulb	1	1699313						87
88	Cover Light	1	1616366						88
89	Air Outlet	2	1651070						89
90	Air Duct	AR	1304313						90
91	Air Outlet Screw	6	32G-608						91
92	Vent to Air Duct Adaptor L.H.	1	1651069						92
93	Vent to Air Duct Adaptor R.H.	1	1654139						93
94	Screw	6	58G-606						94
95	Vent Knob	2	1651099						95
96	Light Bulb Socket	9	1699312						96
	Radio Speaker (Only)	1	2098000						
	Downshift Decal (Not Shown)	1	1644311						

CC-139

205

January 1, 1968



CORTEZ DIVISION

ITEM	INTERIOR RIGHT SIDE (Use Illustration CCM-218)	REQUIRED	Serial No. 906-2200						ITEM
	DESCRIPTION								
1	Table Top (Wall Side)—Gray	1	1660605						1
	Table Top (Wall Side)—Orange	1	1660606						
2	Table Top (Aisle Side)—Gray	1	1660603						2
	Table Top (Aisle Side)—Orange	1	1660604						
3	Hinge	4	1629386						3
4	Hinge Screw	32	51G-912						4
5	Bracket, Table Hinge	2	1624743						5
6	Table Hinge Bracket Screw	6	58G-1012N						6
7	Table Hinge	2	1628393						7
8	Table Hinge Screw	6	59G-1012						8
9	Catch Latch and Screws	1	1628321						9
10	Hinge	1	1629386						10
11	Hinge Screw	4	51G-1012						11
12	Table Leg Brace	1	1628362						12
13	Bushing	2	1628391						13
14	Brace Pin	1	669107						14
15	Hinge Rivet	1	1H-428						15
16	Bracket, Table Leg Hinge	2	1628360						16
17	Table Leg Bolt	2	41G-1214J						17
18	Table Leg Bolt Lockwasher	2	14E-12						18
19	Table Leg Bolt Nut	2	14D-12						19
20	Hinge Bracket Screw	8	58G-1012J						20
21	Bushing	2	1628392						21
22	Table Leg Assembly	1	1669240						22
23	Plastic Cap	2	1662255						23
24	Draperly Slide	1	1654148						24
25	Draperly Hold-Down Strap	2	1660716						25
26	Curtain	4	1649380						26
27	Right Hand Draperly Track	1	1634291						27
28	Clip Track Mounting	10	1634294						28
29	Screw	10	57G-608						29
30	Male Snap	4	1617113						30
31	Hinge	4	1669871						31
32	Screw	20	57G-408						32
33	Latch	2	1634148						33
34	Screw Latch	4	18G-1008						34
35	Latch Striker	2	1634149						35
36	Screw Striker	4	18G-812						36
37	Wardrobe Cabinet Door	2	Reference						37

CC-138

207

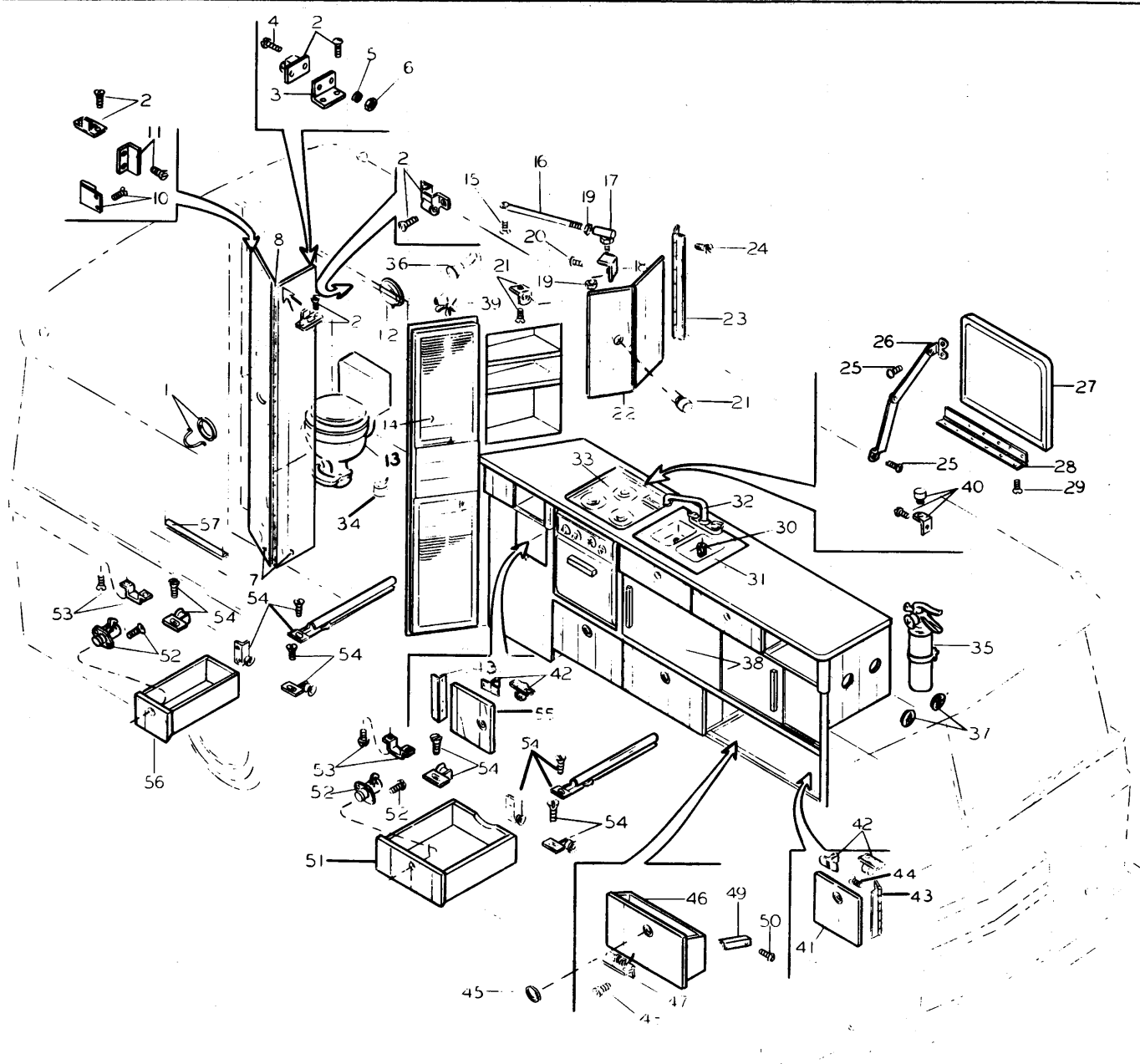
January 1, 1968

ITEM	INTERIOR RIGHT SIDE (CONT'D) (Use Illustration CCM-218)	REQUIRED	Serial No. 906 & Above						ITEM
	DESCRIPTION								
38	Thermostat	1	1654197						38
39	Refrigerator	1	1628300						39
40	Refrigerator Door Pin	1	1620350						40
41	Clothes Pole w/Screw	1	1624728						41
42	Midget Louvers	2	1699331						42
43	Wardrobe Door—Wood	1	Reference						43
44	Mirror	1	1669334						44
45	Door Pull Edge	2	1634349						45
46	Top and Bottom Door Edge	4	1634346						46
47	Door Edge	2	1634350						47
48	Vinyl Tape	AR	1634456						48
49	Top Door Guide	2	1634347						49
50	Bottom Door Guide	1	1634348						50
51	Top Channel	1	1634344						51
52	Bottom Track	1	1634345						52
53	Wardrobe Door Latch	2	1634200						53
54	Latch Screw	4	1G-606J						54
55	Latch Screw Nut	4	12D-6J						55
56	Cabinet Assembly	1	Reference						56
57	Cabinet Drawer	1	Reference						57
58	Drawer Slide Set	2	1624738						58
59	Wardrobe Cabinet Catch	2	1638222						59
60	Headliner 4' x 8' Sheet	AR	1662938						60
61	Headliner Divider 96"	AR	1699470						61
62	Moulding 96" Strip	AR	1631336						62
63	Moulding End Cap	20	1631337						63
64	Dinette Seat Drawer (Wall Side)	1	Reference						64
65	Dinette Seat Drawer (Aisle Side)	1	Reference						65
66	Drawer Slide Set	2	1672254						66
67	Drawer Catch	2	1670044						67
68	Table Bumper	1	1634351						68
69	Front Radio Speaker (Kit)	1	1654114						69
70	Bracket, Speaker Mounting	1	1660134						70
71	Curtain Support	1	1617199						71
72	Screw	2	1310141						72
73	Curtain Support Strap	1	1620319						73
74	Bracket, Bed Support Strap	1	1620368						74
75	Screw	2	58G-1008						75
76	Light Bulb	10	1638383						76

ITEM	INTERIOR RIGHT SIDE (CONT'D) (Use Illustration CCM-218)	REQUIRED	Serial No. 906-1800	Serial No. 1801-2200					ITEM
	DESCRIPTION								
77	Light (Including Switch)	10	1669455						77
	Light	9		1689389					
	Lens—Only	9		2090000					
	Screw	36		1G-806					
	Washer	36		763143					
	Nut—Acorn	36		1310005					
	Switch	9		1699314					
78	Curtain	1	1619099						78
79	Doors Overhead Cabinet	2	1672238						79
80	Door Finger Pull	2	1670745						80
81	Driver Overhead Shelf	1	1634307						81
82	Screw	7	58G-1008						82
83	Lockwasher	7	15E-10						83
	Radio Speaker (Only)	1	2098000						
	Downshift Decal (Not Shown)	1	1644311						

CORTEZ DIVISION

# CORTEZ DIVISION



INTERIOR-LEFT SIDE

CCM-219

CC-139

210

January 1, 1968

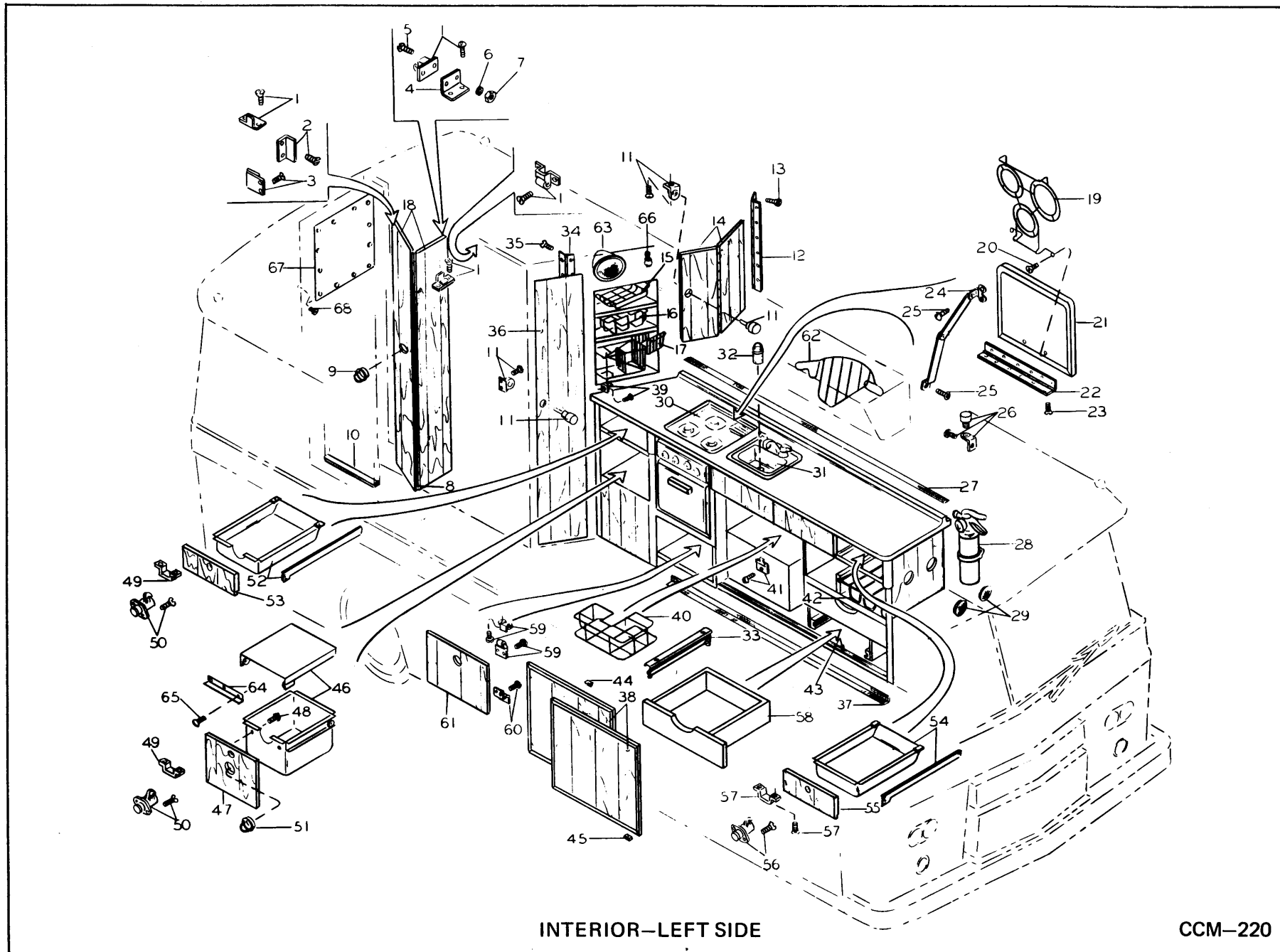
ITEM	INTERIOR — LEFT SIDE (Use Illustration CCM-219)	REQUIRED	Serial No. 101-200	Serial No. 201-300	Serial No. 301-350 401-500				ITEM
	DESCRIPTION								
1	Bathroom Door Pull	1	1699486						1
2	Bathroom Door Latch w/screws	2	1634224						2
3	Bracket, Bathroom Door Latch	2	1634225						3
4	Latch to Bracket Screw	2	3G-606						4
5	Latch to Bracket Lockwasher	2	17E-6						5
6	Latch to Bracket Nut	2	12D-6						6
7	Folding Bathroom Door	1	Reference						7
8	Continuous Hinge	2	1620378						8
9	Recessed Pull	2	1699486						9
10	Magnetic Catch w/Screws	1	1623879						10
11	Magnetic Catch Strike w/Screws	1	1699375						11
12	Bathroom Light Fixture	2	1614436						12
13	Toilet	1	336845	1634096					13
14	Space Heater w/Thermostat	1	336812		1634488				14
15	Screw	1	57G-812N						15
16	Eye Bolt	1	1630645						16
17	Ball Joint	1	1301359						17
18	Bracket	1	1630644						18
19	Nut	2	14D-10						19
20	Screw	2	58G-1008N						20
21	Latch Assembly	1	1634076						21
22	Dish Cabinet Door	1	Reference						22
23	Hinge	2	1699399						23
24	Hinge Screw	20	51G-412						24
25	Lid Support Screw	2	57G-812N						25
26	Lid Support	1	1631373						26
27	Cover Assembly (Includes 25-29) Gray	1	1651041						27
	Cover Assembly (Includes 25-29) Pumpkin	1	1651042						
28	Hinge	1	1628352						28
29	Hinge Screw	6	51G-412N						29
30	Kitchen Sink Strainer Basket	2	1623847						30
31	Kitchen Sink	1	1699438						31
32	Sink Mixing Faucet	1	1699481						32
33	Stove and Oven	1	336818						33
34	Shower Drain Plug	1	1628343						34
35	Fire Extinguisher w/Bracket	1	337096						35
36	Shower Head	1	1699379						36
37	Screened Vents	3	1699401						37
38	Sliding Doors	2	Reference						38
39	Fan	1	360762						39

CORTEZ DIVISION

ITEM	INTERIOR — LEFT SIDE (CONT'D) (Use Illustration CCM-219)	REQUIRED	Serial No. 101-350 401-500						ITEM
	DESCRIPTION								
40	Stove Lid Bumper	2	1699402						40
41	Access Door	1	Reference						41
42	Access Door Catch w/Screws	2	1634162						42
43	Access Door Hinge	2	1699404						43
44	Access Door Hinge Screw	10	51G-510						44
45	Door and Bin Pull	5	1699406						45
46	Bin	3	Reference						46
47	Bin Hinge	6	1634151						47
48	Bin Hinge Screw	36	51G-508						48
49	Bin Stop	3	1628329						49
50	Bin Stop Screw	3	52G-612						50
51	Drawer Assembly	2	Reference						51
52	Drawer Latch	3	1634148						52
53	Drawer Strike	3	1634149						53
54	Drawer Slide Assembly	3	1699403						54
55	Access Door	1	Reference						55
56	Drawer Assembly	1	Reference						56
57	Bathroom Door Threshold	1	1699451						57
58	Headliner Material (4' x 8' Sheet)	1	1699467						58



# CORTEZ DIVISION



INTERIOR-LEFT SIDE

CCM-220

CC-139

214

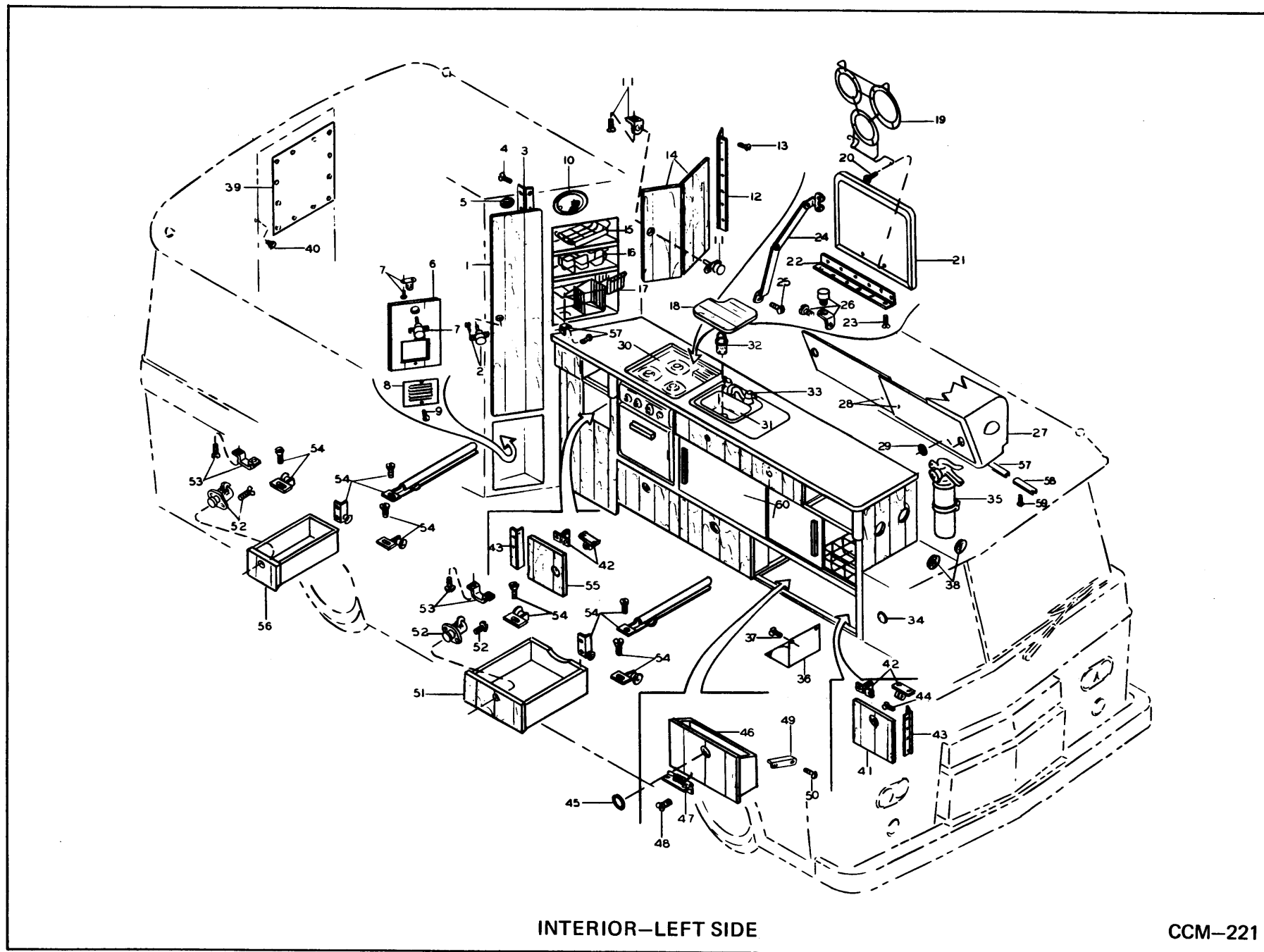
January 1, 1968

ITEM	INTERIOR — LEFT SIDE (Use Illustration CCM-220)	REQUIRED	Serial No. 351-400						ITEM
	DESCRIPTION								
1	Bathroom Door Latch w/Screws	2	1634224						1
2	Magnetic Catch Strike w/Screws	2	1699375						2
3	Magnetic Catch w/Screws	1	1623879						3
4	Bracket, Bathroom Door Latch	1	1634225						4
5	Latch to Bracket Screw	2	3G-606						5
6	Latch to Bracket Lockwasher	2	17E-6						6
7	Latch to Bracket Nut	2	12D-6						7
8	Continuous Hinge	2	1620378						8
9	Bathroom Door Pull	2	1699486						9
10	Bathroom Door Threshold	1	1699451						10
11	Latch Assembly	2	1634076						11
12	Hinge	2	1699399						12
13	Hinge Screw	20	51G-412						13
14	Dish Cabinet Door	1	Reference						14
15	Cup Rack	1	1638364						15
16	Mug Rack	1	1638363						16
17	Dish Storage Rack	1	1634393						17
18	Folding Bathroom Door	1	Reference						18
19	Travel Cooking Guard	1	1634331						19
20	Travel Cooking Guard Screw	2	1623849						20
21	Cover Assembly	1	1662348						21
22	Hinge	1	1628352						22
23	Hinge Screw	6	51G-412N						23
24	Lid Support	1	1631373						24
25	Lid Support Screw	2	57G-812N						25
26	Stove Lid Bumper	2	1699402						26
27	Heater Grille	1	1638206						27
28	Fire Extinguisher w/Bracket	1	337096						28
29	Screened Vents	3	1699401						29
30	Stove w/Oven	1	336818						30
31	Kitchen Sink	1	1634007						31
32	Sink Strainer	1	1623847						32
33	Towel Rack	1	1634265						33
34	Closet Door Hinge	1	1620378						34
35	Closet Door Hinge Screw	30	51G-412						35
36	Closet Door	1	Reference						36
37	Toe Recess Grille	1	1638207						37
38	Sliding Doors	2	Reference						38
39	Rack Pivot	2	1634394						39
40	Can Rack	1	1638365						40

CORTEZ DIVISION

ITEM	INTERIOR — LEFT SIDE (CONT'D) (Use Illustration CCM-220)	REQUIRED	Serial No. 351-400					ITEM
	DESCRIPTION							
41	Can Rack Hold-Down Clip	1	1638362					41
42	Pot and Pan Rack	1	1638301					42
43	Sliding Door Track	1	1634345					43
44	Sliding Door Upper Glide	4	1634347					44
45	Sliding Door Lower Glide	4	1634348					45
46	Bread Drawer Set	1	1634009					46
47	Drawer Front	1	Reference					47
48	Drawer Front Screw	4	54G-608					48
49	Drawer Latch Strike	2	1634149					49
50	Drawer Latch	2	1634148					50
51	Drawer Pull	1	1699412					51
52	Silverware Drawer Set	1	1634405					52
53	Silverware Drawer Front	1	Reference					53
54	Drawer Set	2	1634395					54
55	Drawer Front	2	Reference					55
56	Drawer Latch Strike	2	1634149					56
57	Drawer Latch	2	1634148					57
58	Drawer	2	Reference					58
59	Access Door Latch	2	1634224					59
60	Access Door Retainer	2	1644312					60
61	Access Door	1	Reference					61
62	Overhead Cabinet Separator	3	1649340					62
63	Radio Rear Speaker (Kit)	1	1638313					63
	Radio Speaker (Only)	1	2098000					
64	Trim Strip	1	1644304					64
65	Trim Strip Screw	AR	COMM					65
66	Rear Speaker Fader Control	1	896490					66
67	Rear Door Curtain	1	1618988					67
68	Rear Door Curtain Snap Fastener	11	1617113					68

# CORTEZ DIVISION



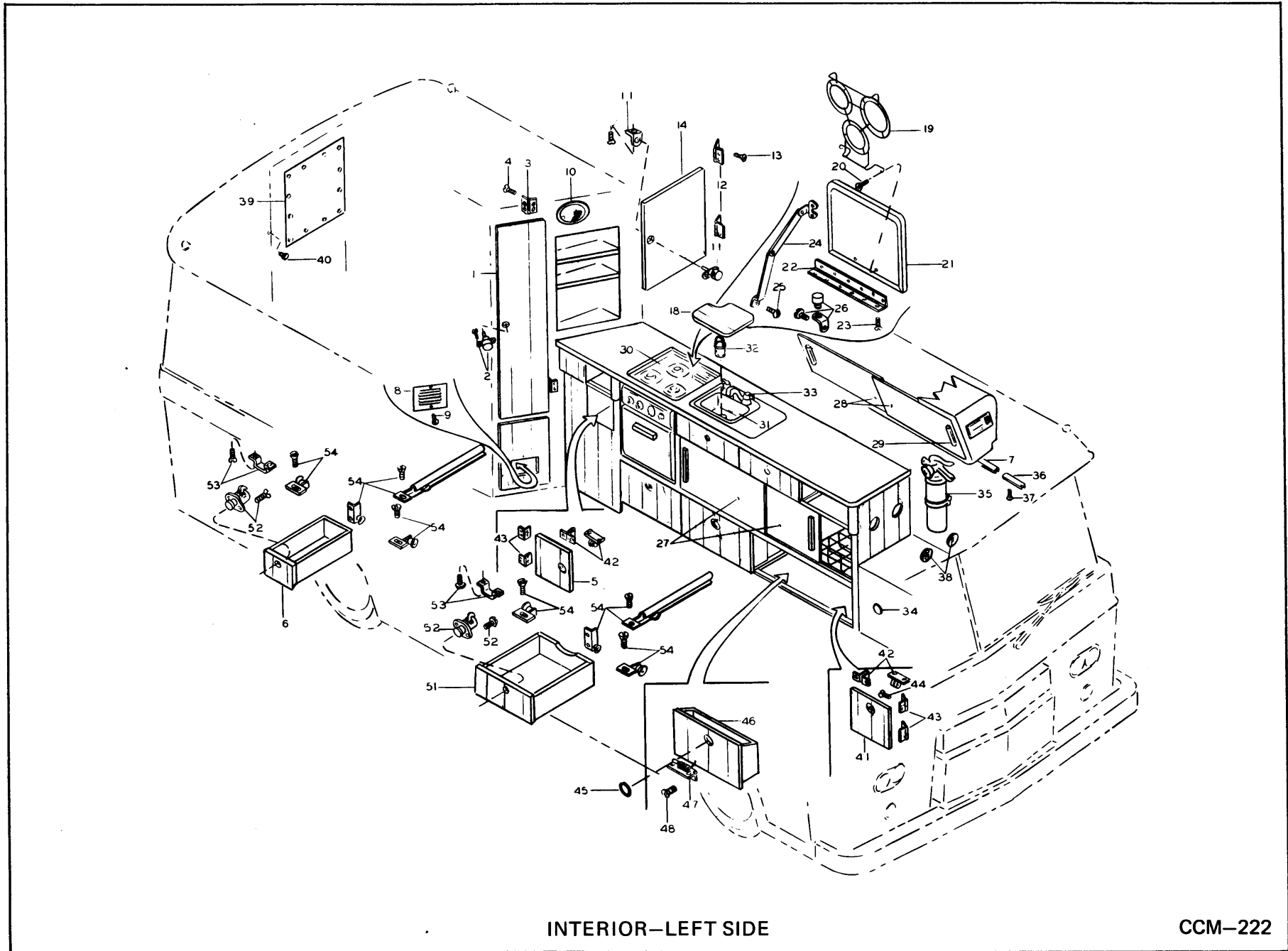
INTERIOR-LEFT SIDE

CCM-221

ITEM	INTERIOR — LEFT SIDE (Use Illustration CCM-221)	REQUIRED	Serial No. 501-607	Serial No. 608-905					ITEM
	DESCRIPTION								
1	Broom Closet Door	1	Reference						1
2	Latch Assembly	1	1634076						2
3	Hinge	1	1654186						3
4	Screw	20	57G-408						4
5	Closet Vent	1	1699331						5
6	Heater Door	1	Reference						6
7	Latch	1	1634076						7
8	Heater Grille	1	1654180						8
9	Screw	2	18G-1008J						9
10	Radio Speaker (Kit)	1	1654114						10
	Radio Speaker (Only)	1	2098000						
11	Latch	1	1634076						11
12	Hinge	2	1699399						12
13	Screw	20	51G-412J						13
14	Dish Cabinet Door	2	Reference						14
15	Cup Rack (Opt.)	1	1638364						15
16	Mug Rack (Opt.)	1	1638363						16
17	Can Rack (Opt.)	1	1638365						17
18	Cutting Board	1	1654108						18
19	Stove Guard (Opt.)	1	1634331						19
20	Screw (Opt.)	2	1623849						20
21	Cover Assembly—Gray (Includes Items 22 thru 25)	1	1651041						21
	Cover Assembly—Orange (Includes Items 22 thru 25)	1	1651042						
22	Hinge	1	1628352						22
23	Screw	6	51G-412N						23
24	Lid Support	1	1651034						24
25	Screw	1	57G-812N						25
26	Stove Lid Bumper	2	1699402						26
27	L.H. Overhead Cabinet Assembly	1	1634025						27
28	Overhead Cabinet Door	2	1651062						28
29	Door Pull	2	1699407						29
30	Stove and Oven	1	336818						30
31	Kitchen Sink	1	1654107						31
32	Kitchen Sink Strainer Basket	1	1634203						32
33	Sink Faucet	1	1634008						33
34	Aisle Light	1	1633457						34
35	Fire Extinguisher w/Bracket	1	337096						35
36	Cover	1	1649327		Not Used				36
37	Screw	10	1623849		Not Used				37

ITEM	INTERIOR — LEFT SIDE (CONT'D) (Use Illustration CCM-221)	REQUIRED	Serial No. 501-905						ITEM
	DESCRIPTION								
38	Screened Vents	3	1699401						38
39	Rear Door Curtain	1	1618988						39
40	Male Snap	11	1617113						40
41	Access Door	1	Reference						41
42	Access Door Catch w/Screws	2	1634162						42
43	Access Door Hinge	2	1699404						43
44	Access Door Hinge Screw	10	51G-412J						44
45	Door and Bin Pull	5	1699406						45
46	Bin	3	Reference						46
47	Bin Hinge	6	1634151						47
48	Bin Hinge Screw	36	51G-508						48
52	Drawer Latch	3	1634148						52
53	Drawer Strike	3	1634149						53
54	Drawer Slide Assembly	3	1699403						54
55	Access Door	1	Reference						55
56	Drawer Assembly	1	Reference						56
57	Left Hand Drapery Track—Rear	1	1634290						57
	Left Hand Drapery Track—Front	1	1634292						
58	Track Mounting Clip	10	1634294						58
59	Screw	10	57G-608						59
60	Cabinet Sliding Doors—Oak	2	1654115						60
	Cabinet Sliding Doors—Pecan	2	1654116						
61	Cabinet Divider	1	1649340						61

# CORTEZ DIVISION



INTERIOR-LEFT SIDE

CCM-222

CC-139

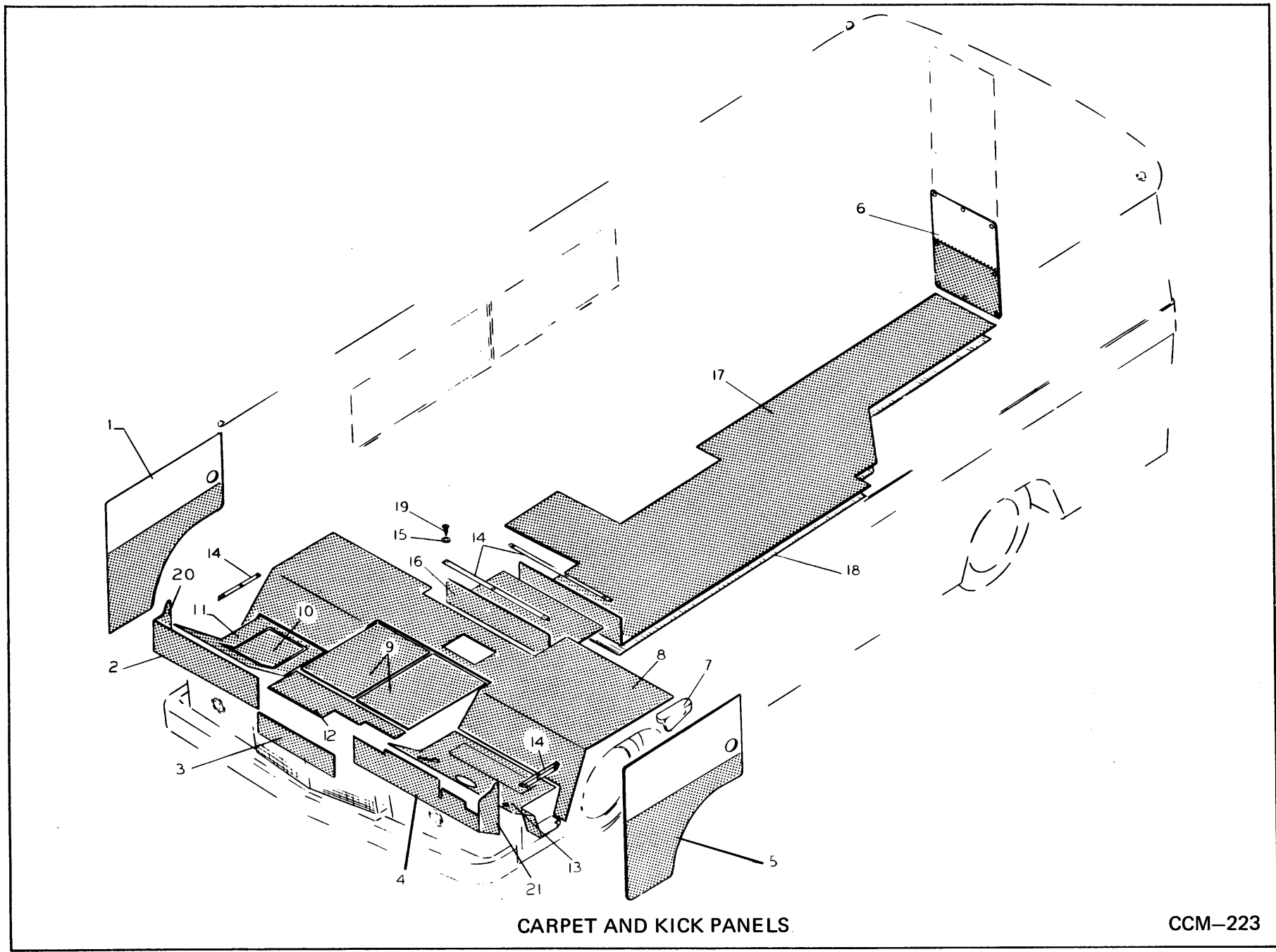
222

January 1, 1968

ITEM	INTERIOR — LEFT SIDE (Use Illustration CCM-222)	REQUIRED	Serial No. 906-1405	Serial No. 1406-2200					ITEM
	DESCRIPTION								
1	Broom Closet Door	1	Reference						1
2	Latch Assembly	1	1634076						2
3	Hinge	3	1669871						3
4	Screw	15	57G-408						4
5	Access Door	1	Reference						5
6	Drawer Assembly	1	Reference						6
7	Left Hand Drapery Track	1	1634290						7
8	Heater Grille	1	1654180						8
9	Screw	2	18G-1008J						9
10	Radio Speaker (Kit)	1	1638313						10
	Radio Speaker (Only)	1	2098000						
11	Latch	1	1634076						11
12	Hinge	2	1669871						12
13	Screw	10	51G-412J						13
14	Dish Cabinet Door	1	Reference						14
18	Cutting Board	1	1654108						18
19	Stove Guard (Opt.)	1	1634331						19
20	Screw (Opt.)	2	1623849						20
21	Cover Assembly—Gray (Includes Items 22 thru 25)	1	1651041						21
	Cover Assembly—Orange (Includes Items 22 thru 25)	1	1651042						
22	Hinge	1	1628352						22
23	Screw	6	51G-412N						23
24	Lid Support	1	1651034						24
25	Screw	1	57G-812N						25
26	Stove Lid Bumper	2	1699402						26
27	Cabinet Sliding Doors—Oak	2	1654115						27
	Cabinet Sliding Doors—Pecan	2	1654116						
28	Overhead Cabinet Door	2	1672239						28
29	Door Pull	2	1670745						29
30	Stove and Oven	1	336818	1722104					30
31	Kitchen Sink	1	1654107						31
32	Kitchen Sink Strainer Basket	1	1623847						32
33	Sink Faucet	1	1634008						33
34	Aisle Light	1	1633457						34
35	Fire Extinguisher w/Bracket	1	337096						35
36	Track Mounting Clip	10	1634294						36
37	Screw	10	57G-608						37
38	Screened Vents	3	1699401						38



ITEM	INTERIOR — LEFT SIDE (CONT'D) (Use Illustration CCM-222)	REQUIRED	Serial No. 906-2200						ITEM
	DESCRIPTION								
39	Rear Door Curtain	1	1618988						39
40	Male Snap	11	1617113						40
41	Access Door	1	Reference						41
42	Access Door Catch w/Screens	2	1634162						42
43	Access Door Hinge	4	1669871						43
44	Access Door Hinge Screw	20	51G-412J						44
45	Door and Bin Pull	5	1699406						45
46	Bin	3	Reference						46
47	Bin Hinge	6	1634151						47
48	Bin Hinge Screw	36	51G-508						48
51	Drawer Assembly	2	Reference						51
52	Drawer Latch	3	1634148						52
53	Drawer Strike	3	1634149						53
54	Drawer Slide Assembly	3	1699403						54



CARPET AND KICK PANELS

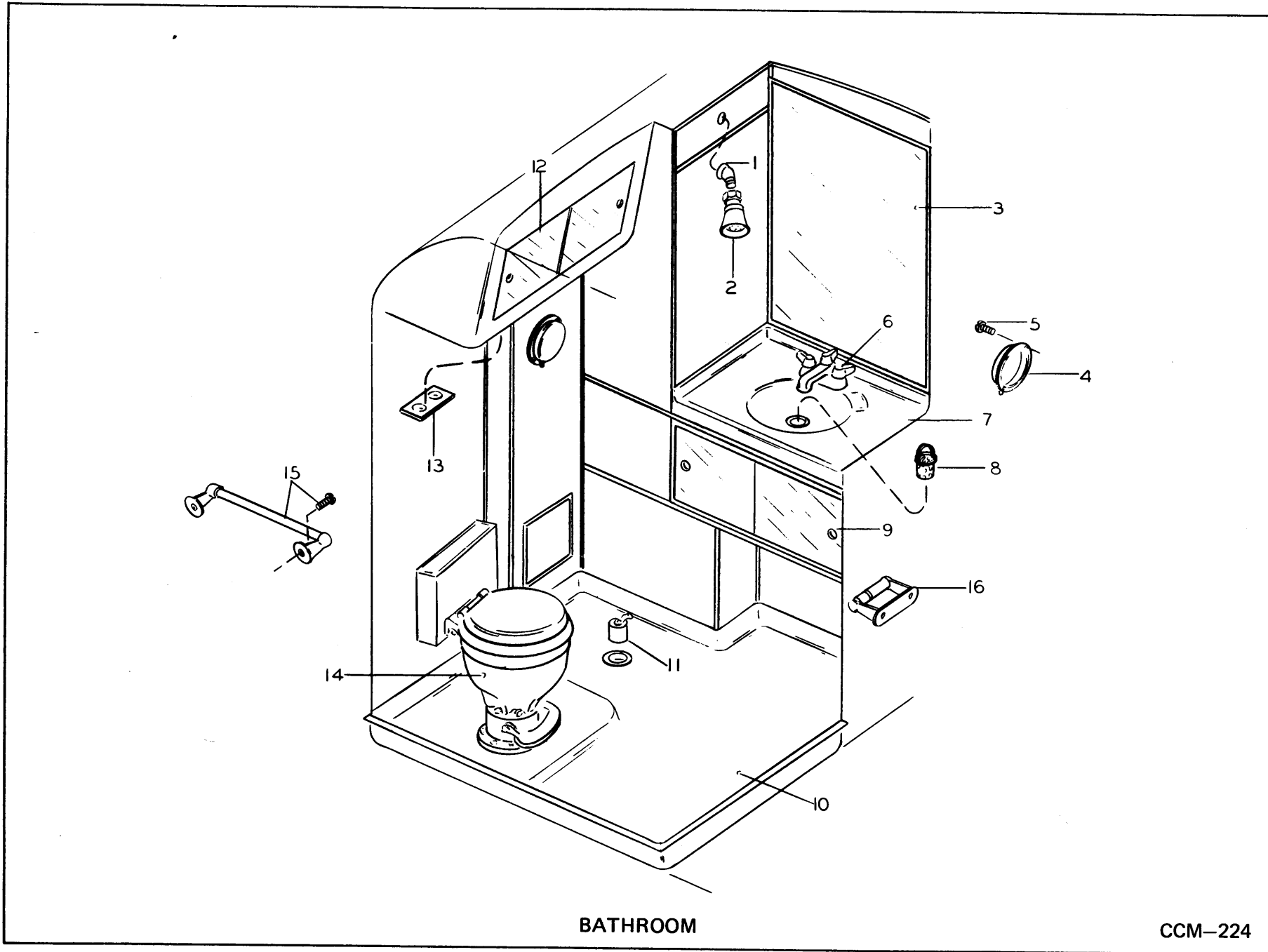
CCM-223

ITEM	CARPET AND KICK PANELS (CONT'D) (Use Illustration CCM-223)	REQUIRED	Serial No.	Serial No.	Serial No.	Serial No.	Serial No.	ITEM
	DESCRIPTION		101-200	201-350 401-500	351-400	501-905	906-2200	
1	R.H. Door Kick Panel—Green Carpet	1	1629205	1629243	1633469	1651016		1
	R.H. Door Kick Panel—Brown Carpet	1	1629206	1629244		1651017		
	R.H. Door Kick Panel—No Carpet	1	1629131	1629253				
2	R.H. Front Kick Panel—Green Carpet	1	1629201		1633471	1651020		2
	R.H. Front Kick Panel—Brown Carpet	1	1629202			1651021		
	R.H. Front Kick Panel—No Carpet	1	1629134					
3	Front Center Kick Panel—Green Carpet	1	1629203		1633472	1651026		3
	Front Center Kick Panel—Brown Carpet	1	1629204			1651027		
	Front Center Kick Panel—No Carpet	1	1629136					
4	L.H. Front Kick Panel—Green Carpet	1	1629199		1633474	1651018		4
	L.H. Front Kick Panel—Brown Carpet	1	1629200			1651019		
	L.H. Front Kick Panel—No Carpet	1	1629135					
5	L.H. Door Kick Panel—Green Carpet	1	1629209	1629249	1633470	1651000		5
	L.H. Door Kick Panel—Brown Carpet	1	1629210	1629250		1651001		
	L.H. Door Kick Panel—No Carpet	1	1629130	1629252				
6	Rear Door Kick Panel—Green Carpet	1	1629207	1629246	1633468	1651014		6
	Rear Door Kick Panel—Brown Carpet	1	1629208	1629247		1651015		
	Rear Door Kick Panel—No Carpet	1	1629132	1629251				
7	Arm Rest—Sand Color	1	1629213		1633474	1629213	1678307	7
	Arm Rest—Mocha	1	1629214			1678308		
8	Seat Area Carpet—Green	1	1629290		1634283	1651090	1672123	8
	Seat Area Carpet—Brown	1	1629291			1672124		
9	Engine Cover Carpet—Green	2	1629296		1634282	1649378	1672125	9
	Engine Cover Carpet—Brown	2	1629297			1649379	1672126	
10	Battery Cover Carpet—Green	1	1629299		1634281	1629299		10
	Battery Cover Carpet—Brown	1	1633400					
11	R.H. Front Floor Carpet—Green	1	1633402		1634280	1651085		11
	R.H. Front Floor Carpet—Brown	1	1633403			1651086		
12	Heater Area Carpet—Green	1	1629293		1634276	1651082	1672136	12
	Heater Area Carpet—Brown	1	1629294			1672137		
13	L.H. Front Floor Carpet—Green	1	1654141		1638217	1651083		13
	L.H. Front Floor Carpet—Brown	1	1654142			1651084		
14	Trim Moulding—Specify Length	AR	1624713					14
15	Plastic Fastener	10	1624722					15
16	Step Area Carpet—Green	1	1633405		1634284	1651087	1672127	16
	Step Area Carpet—Brown	1	1633406			1672128		
17	Rear Area Carpet—Green	1	1629287		1634285	1651088	1672098	17
	Rear Area Carpet—Brown	1	1629288			1651089	1672099	
	Rear Area Carpet—Green (Opt.)	1				1654128		
	Rear Area Carpet—Brown (Opt.)	1				1654129		

CORTEZ DIVISION

**CORTEZ DIVISION**

ITEM	CARPET AND KICK PANELS (Use Illustration CCM-223)	REQUIRED	Serial No.	Serial No.					ITEM
	DESCRIPTION		101-905	906-2200					
18	Carpet Underlayment	1	1617161	1612570					18
19	Trim Screws	58	1623856						19
20	Cowl Kick Panel—R.H. Side (Green Carpet)	1	1662332						20
	Cowl Kick Panel—R.H. Side (Brown Carpet)	1	1662333						
21	Cowl Kick Panel—L.H. Side (Green Carpet)	1	1662335						21
	Cowl Kick Panel—L.H. Side (Brown Carpet)	1	1662336						

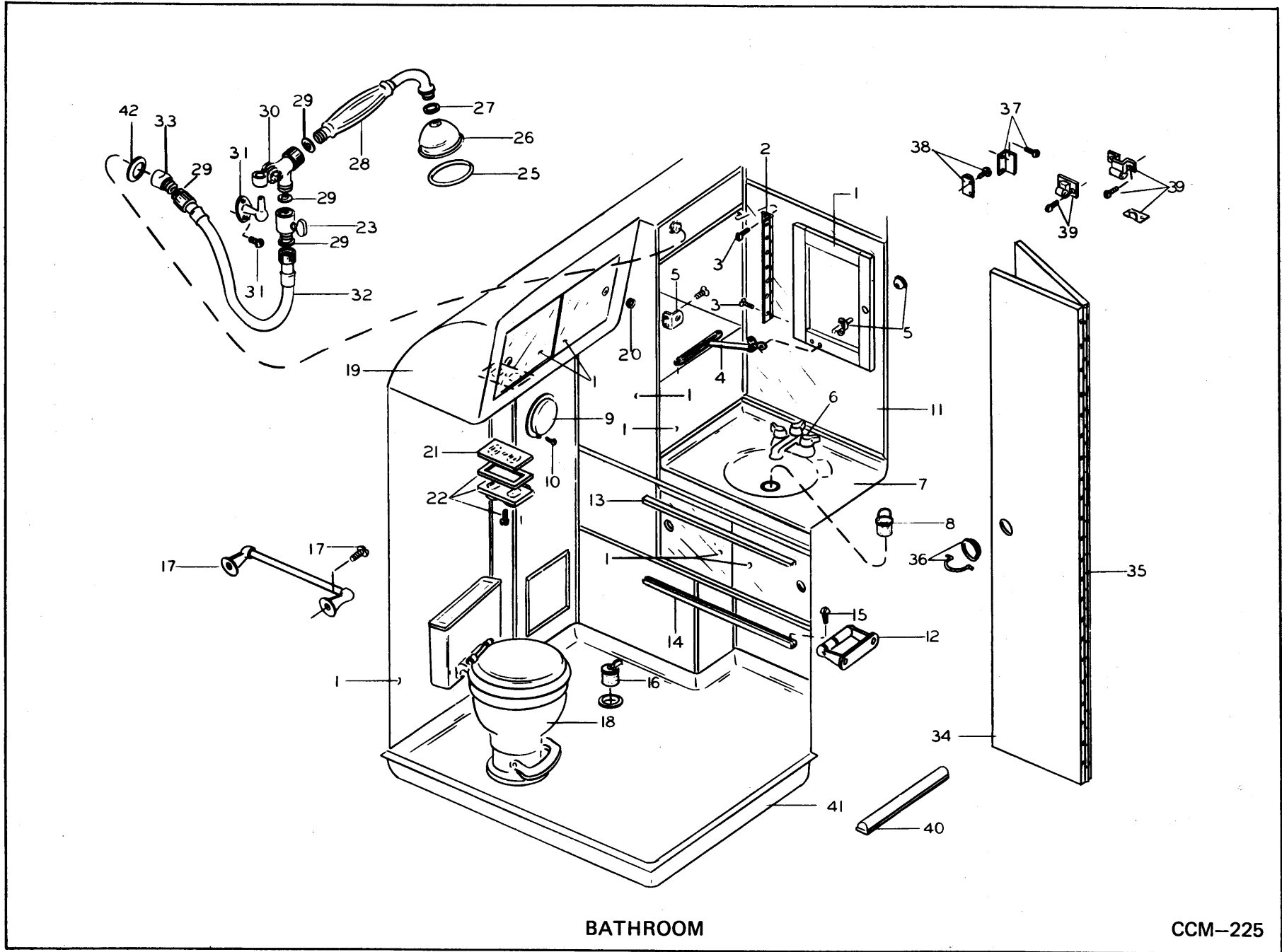


BATHROOM

CCM-224

ITEM	BATHROOM (Use Illustration CCM-224)	REQUIRED	Serial No. 351-400	Serial No. 351-400					ITEM
	DESCRIPTION								
1	Shower Head Elbow	1	1303998						1
2	Shower Head	1	1699379						2
3	Bathroom Mirror	1	1624720						3
4	Light Assembly	2	1614436						4
5	Light Mounting Screw	4	58G-610						5
6	Bathroom Sink Faucet	1	1699426						6
7	Bathroom Sink	1	1634164						7
8	Sink Strainer	1	1623847						8
9	Sliding Door	2	Reference						9
10	Shower Pan	1	1634115						10
11	Shower Plug	1	1628343						11
12	Overhead Cabinet Door	2	1638322						12
13	Receptacle Cover	1	1634462						13
14	Toilet	1	1634096						14
15	Towel Rack	1	336821						15
16	Paper Hanger	1	336863						16

CORTEZ DIVISION



CORTEZ DIVISION

ITEM	BATHROOM (Use Illustration CCM-225)	REQUIRED	Serial No. 501-905						ITEM
	DESCRIPTION								
1	Golden Fleece Tile Board 48" x 72" Sheet	AR	1631346						1
2	Hinge Cabinet Door	1	1649306						2
3	Screw	10	51G-412J						3
4	Lid Support	1	1649343						4
5	Latch	1	1634076						5
6	Faucet	1	1699426						6
7	Lavatory Sink	1	1634164						7
8	Lavatory Sink Strainer Bucket	1	1623847						8
9	Bathroom Light	2	1614436						9
	Bathroom Light Bulb	2	506475						
10	Light Mounting Screw	4	58G-610J						10
11	Bathroom Mirror	1	1624720						11
12	Toilet Paper Holder	1	336863						12
13	Sliding Door Upper Track	1	1699395						13
14	Sliding Door Lower Track	1	1699396						14
15	Track Screw	12	51G-412J						15
16	Shower Drain Plug	1	1628343						16
17	Towel Rack	1	336821						17
18	Toilet	1	1634096						18
19	Bathroom Linen Cabinet	1	1628375						19
20	Door Pull	2	1699407						20
21	Bathroom Receptacle	1	1616376						21
22	Cover Plate	1	1634462						22
23	Shower Regulator	1	1649347						23
24	Shower Head Assembly (Includes Items 25 thru 32)	1	1649346						24
25	Spray Head Rubber Ring	1	896190						25
26	Spray Head	1	896191						26
27	Gasket	1	896192						27
28	Spray Handle	1	896193						28
29	Connection Washers	4	896194						29
30	Swivel Joint Connection	1	896195						30
31	Shower Hook	1	896196						31
32	Hose (25")	1	896197						32
33	Elbow	1	1699424						33
34	Folding Bathroom Door	1	Reference						34
35	Continuous Hinge	2	1620378						35
36	Bathroom Door Pull	2	1699486						36



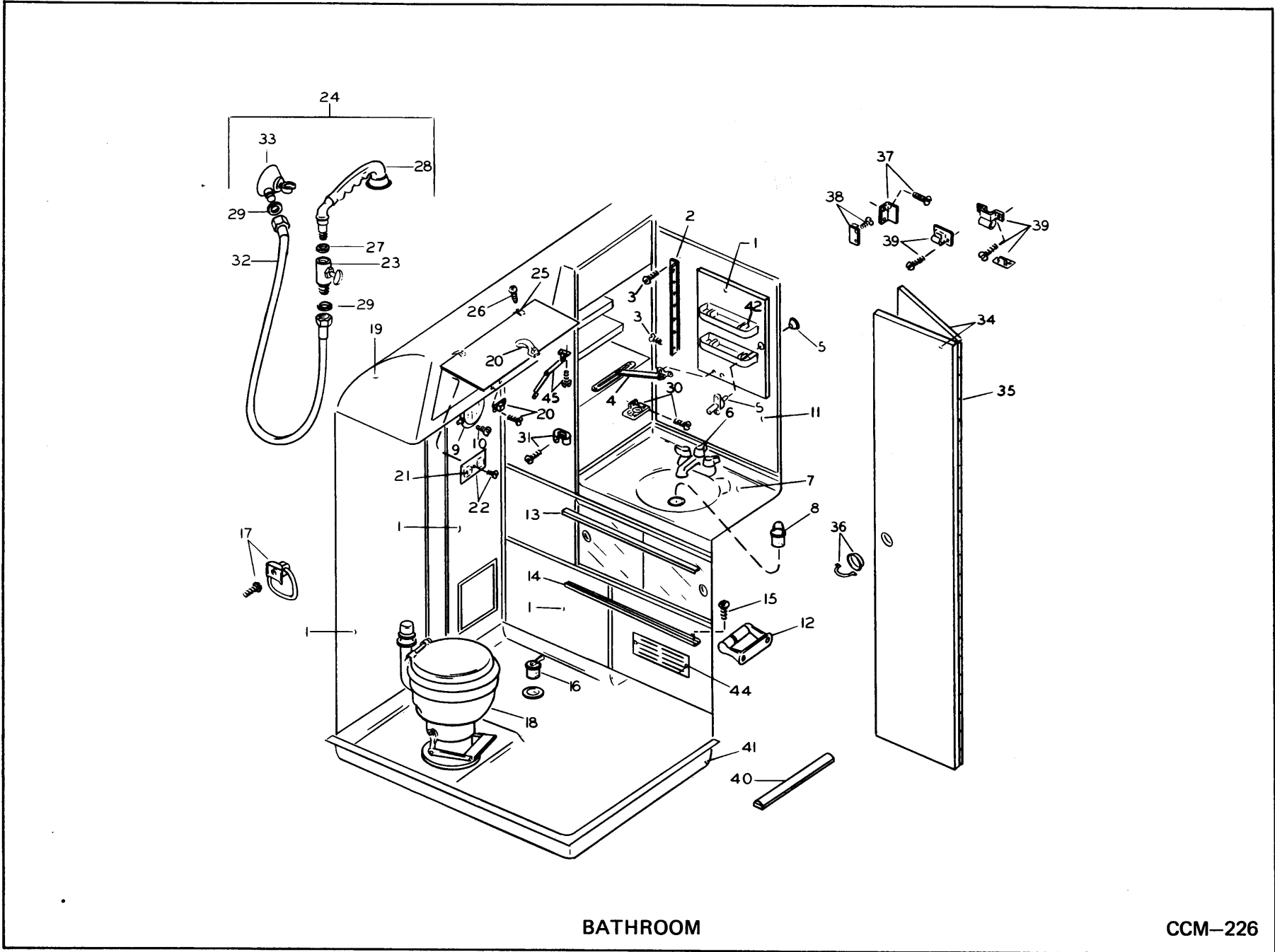
**CORTEZ DIVISION**

ITEM	BATHROOM (CONT'D) (Use Illustration CCM-225)	REQUIRED	Serial No. 501-905						ITEM
	DESCRIPTION								
37	Magnetic Catch Strike w/Screws	1	1699375						37
38	Magnetic Catch w/Screw	1	1623879						38
39	Bathroom Door Latch w/Screws	2	1634224						39
40	Bathroom Door Threshold	1	1699451						40
41	Shower Pan	1	1638382						41
42	Shower Escutcheon	1	1662454						42
43	Water Heater Access. Door Catch (Not Shown)	2	1634162						43

CC-139

234

January 1, 1968



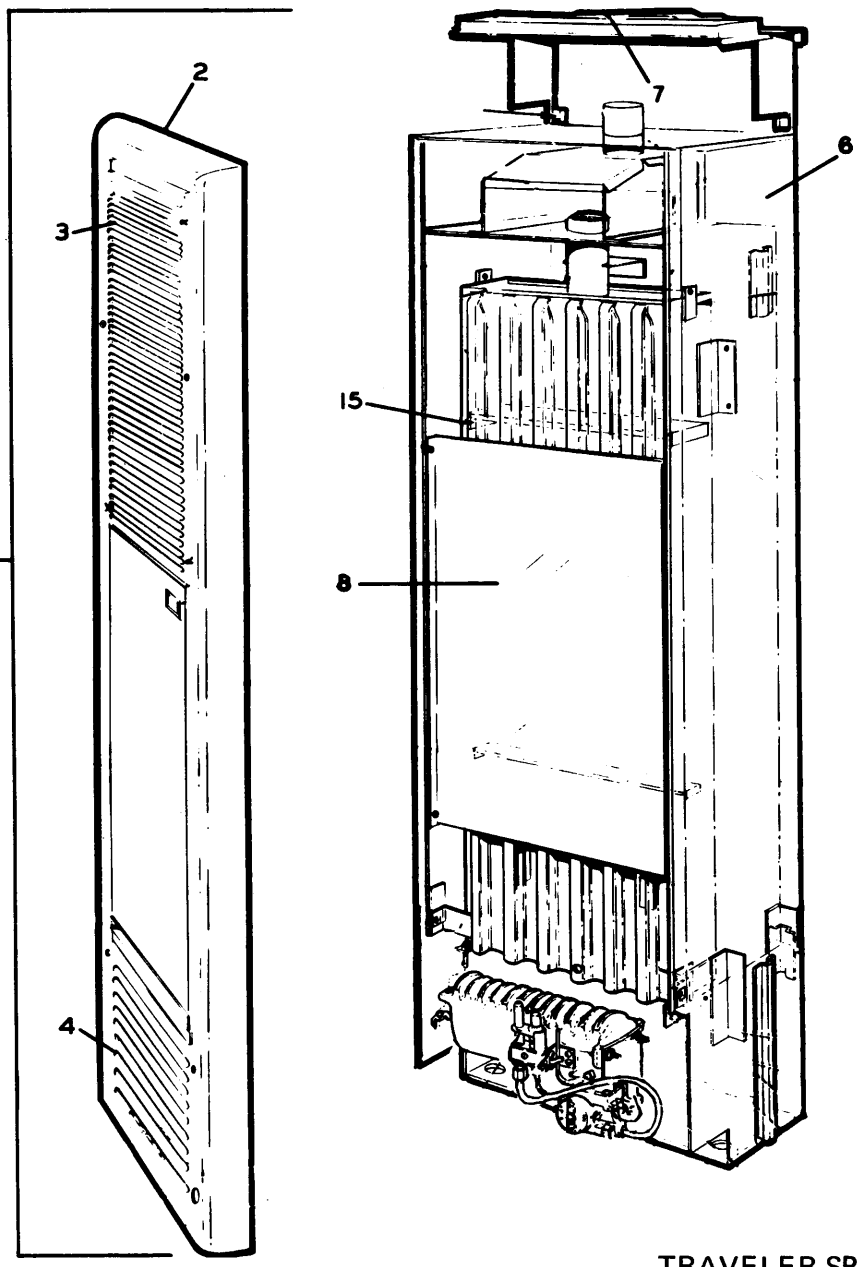
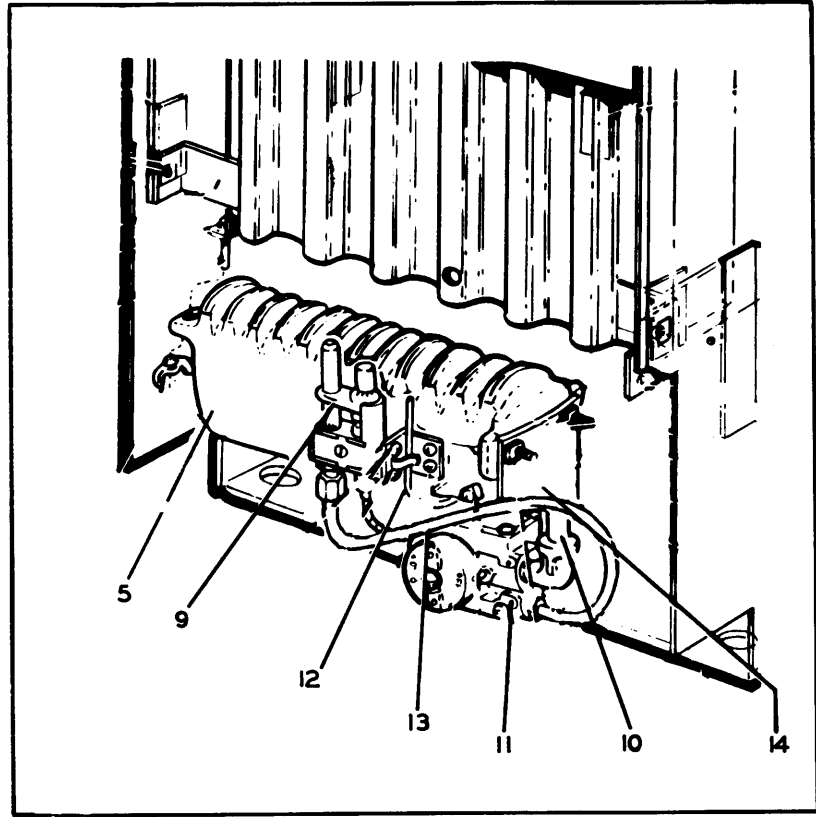
CORTEZ DIVISION

ITEM	BATHROOM (Use Illustration CCM-226)	REQUIRED	Serial No. 906-1800	Serial No. 1801-2200					ITEM
	DESCRIPTION								
1	Golden Fleece Tile Board 48" x 72" Sheet	AR	1631346						1
2	Hinge Cabinet Door	1	1649306						2
3	Screw	10	51G-412J						3
4	Lid Support	1	1649343						4
5	Latch	1	1634076						5
6	Faucet	1	1699426						6
7	Lavatory Sink	1	1634164						7
8	Lavatory Sink Strainer Bucket	1	1623847						8
9	Bathroom Light	2	1624822						9
	Bathroom Light Bulb	2	506475						
10	Light Mounting Screw	4	58G-610J						10
11	Bathroom Mirror	1	1670093						11
12	Toilet Paper Holder	1	336863						12
13	Sliding Door Upper Track	1	1699395						13
14	Sliding Door Lower Track	1	1699396						14
15	Track Screw	12	51G-412J						15
16	Shower Drain Plug	1	1628343						16
17	Towel Rack	4	1669023						17
18	Toilet	1	1667873	1689401					18
19	Bathroom Linen Cabinet	1	1669570						19
20	Door Pull (Includes Screws)	1	1670044						20
21	Bathroom Receptacle	1	1616376						21
22	Cover Plate	1	1616377						22
23	Shower Regulator	1	1649347						23
24	Shower Head Assembly (Includes Items 27 thru 29, 32, 33)	1	1672250						24
25	Hinge	2	1669871						25
26	Screw	4	57G-806						26
27	Gasket	1	898742						27
28	Spray Handle	1	898740						28
29	Connection Washers	2	896194						29
30	Tumbler & Tooth Brush Holder	1	1675698						30
31	Shower Hook	1	1681378						31
32	Hose (25")	1	896197						32
33	Shower Mount	1	898741						33
34	Folding Bathroom Door	1	Reference						34
35	Continuous Hinge	2	1620378						35
36	Bathroom Door Pull	2	1699486						36

CORTEZ DIVISION

ITEM	BATHROOM (CONT'D) (Use Illustration CCM-226)	REQUIRED	Serial No. 906-2200						ITEM
	DESCRIPTION								
37	Magnetic Catch Strike w/Screws	1	1699375						37
38	Magnetic Catch w/Screw	1	1623879						38
39	Bathroom Door Latch w/Screws	2	1634224						39
40	Bathroom Door Threshold	1	1699451						40
41	Shower Pan	1	1669214						41
42	Tray	2	1680374						42
43	Water Heater Access. Door Catch (Not Shown)	2	1634162						43
44	Bathroom Register	1	1673399						44
45	Lid Support	1	1649343						45

CORTEZ DIVISION



TRAVELER SPACE HEATER.

CCM-227

# CORTEZ DIVISION

ITEM	TRAVELER SPACE HEATER (Use Illustration CCM-227)	REQUIRED	Serial No. 1-300						ITEM
	DESCRIPTION								
1	Space Heater Complete	1	336812						1
2	Front Panel Assembly	1	***						2
3	Upper Grill	1	***						3
4	Lower Grill	1	894288						4
5	Burner Assembly Complete (Includes Items 9 thru 14)	1	894289						5
6	Casing Assembly	1	***						6
7	Vent Adaptor Gasket	1	894290						7
8	Combustion Chamber Shield	1	***						8
9	Pilot w/Thermocouple	1	894291						9
10	Gas Manifold	1	894292						10
11	Gas Control	1	894293						11
13	Vent Tube w/Fittings	1	894294						12
13	Pilot Tube	1	894295						13
14	Orifice	1	894296						14
15	Combustion Chamber Assembly	1	***						15
	NOTE: *** Parts Not Carried In Stock								

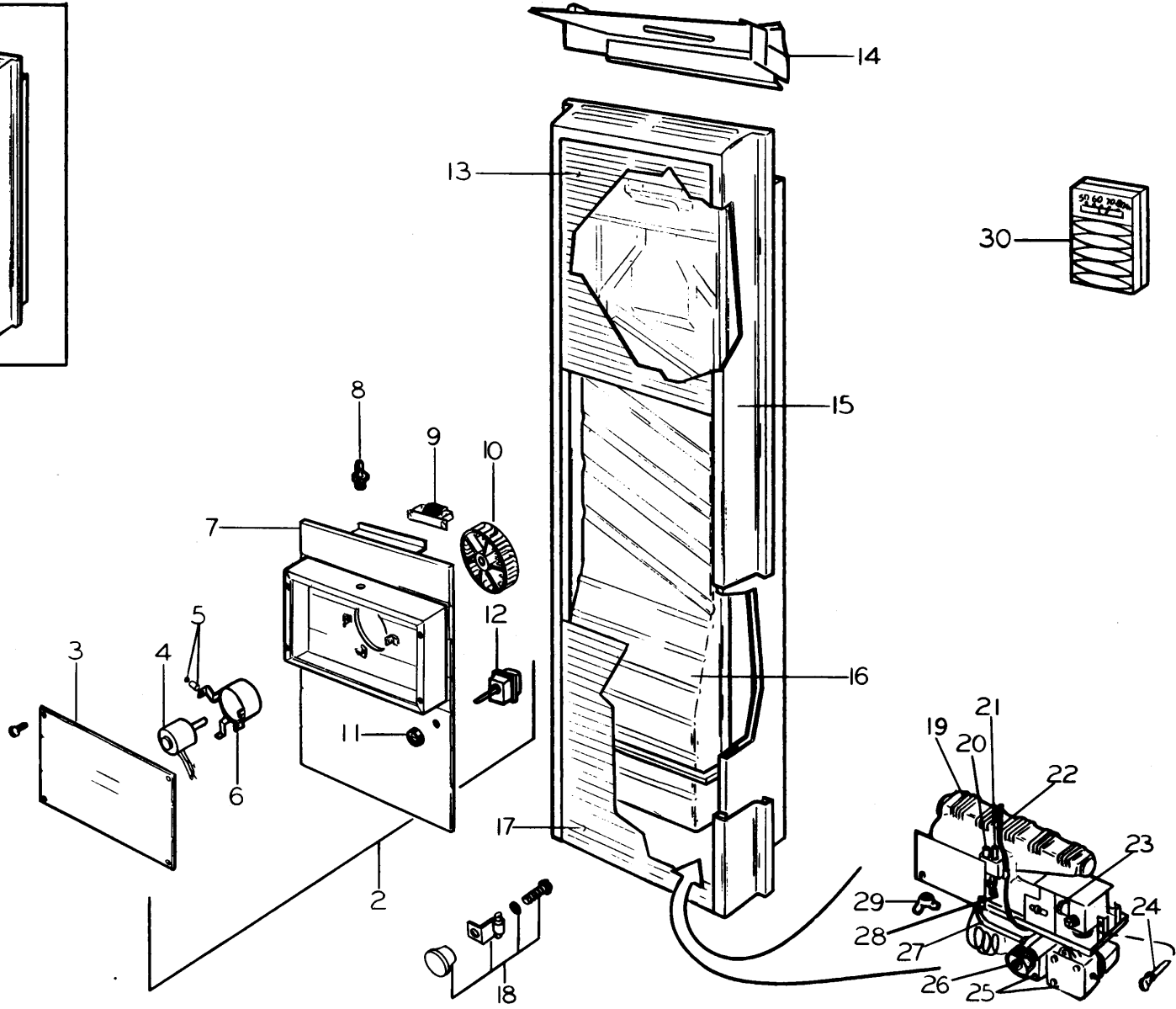
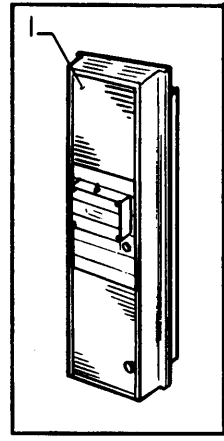
CC-139

241

January 1, 1968

ITEM	COLEMAN SPACE HEATER (Use Illustration CCM-228)	REQUIRED	Serial No. 301-350 401-500						ITEM
	DESCRIPTION								
1	Space Heater Assembly Complete	1	1634419						1
2	Blower Assembly Complete (Includes Items 3 thru 12)	1	1634489						2
3	Blower Cover	1	N.S.S.						3
4	Blower Motor	1	894953						4
5	Motor Mount Package (Rubber)	1	894954						5
6	Bracket, Motor Mounting	1	N.S.S.						6
7	Front Cover & Baffle	1	N.S.S.						7
8	Toggle Switch	1	894955						8
9	Transformer	1	894956						9
10	Impeller	1	894957						10
11	Thermoswitch Knob	1	894958						11
12	Thermoswitch	1	894959						12
13	Upper Grill	1	894960						13
14	Header Plate	1	N.S.S.						14
15	Front Side Panel Assembly	1	N.S.S.						15
16	Heat Exchanger	1	N.S.S.						16
17	Lower Grill (Includes Item 18)	1	894961						17
18	Knob Assembly	1	894962						18
19	Burner	1	894963						19
20	Thermocouple	1	894964						20
21	Pilot Burner	1	894965						21
22	Bleed Tube	1	894966						22
23	Orifice Spud	1	894967						23
24	Burner Support Pin	1	894968						24
25	Gas Valve	1	894969						25
26	Safety—Manual Reset	1	894970						26
27	Pilot Tube	1	N.S.S.						27
28	Pilot Spud	1	894971						28
29	Wing Nut	1	19D-10						29
30	Thermostat	1	893942						30

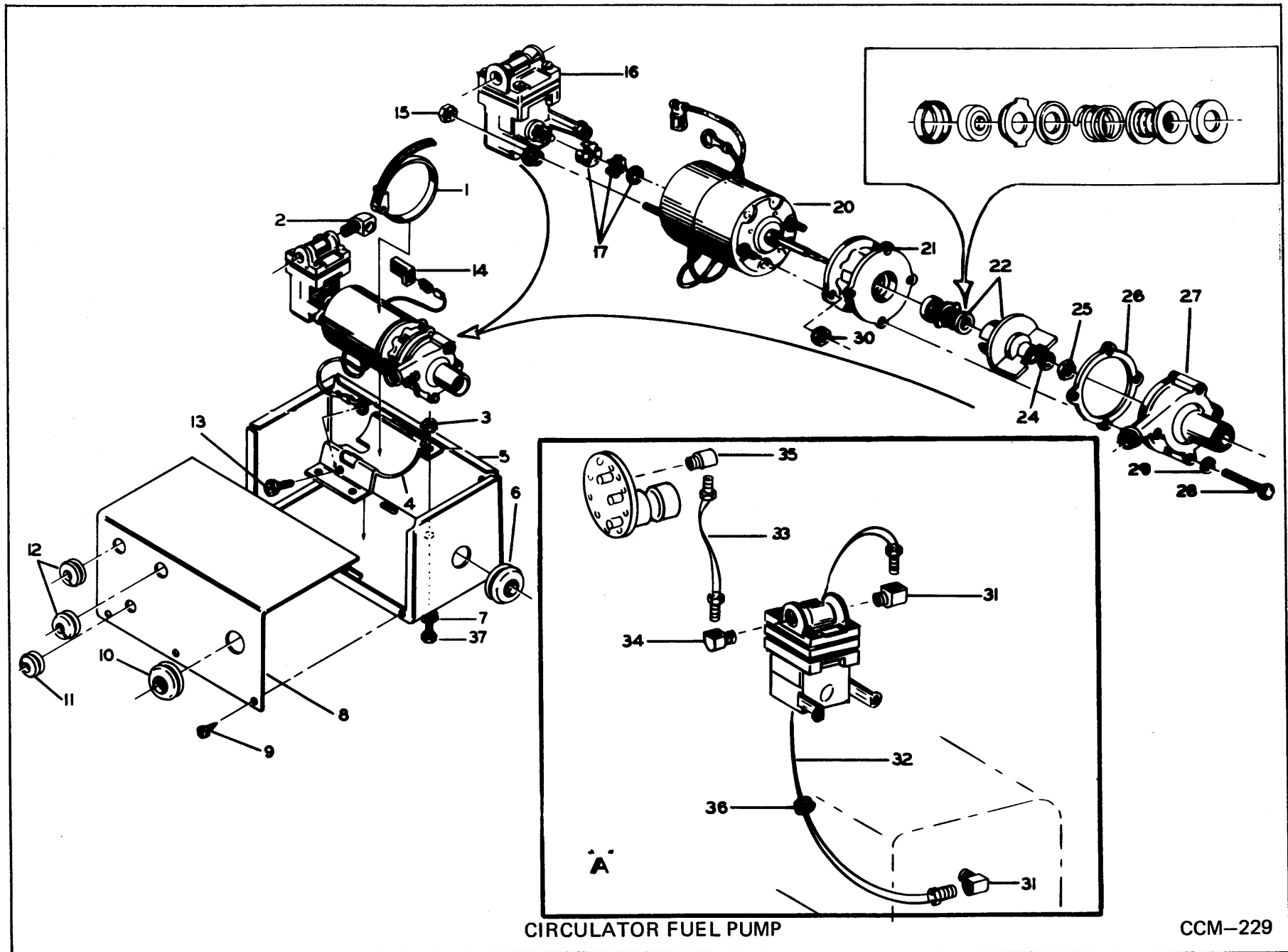
CORTEZ DIVISION



COLEMAN SPACE HEATER.

CCM-228

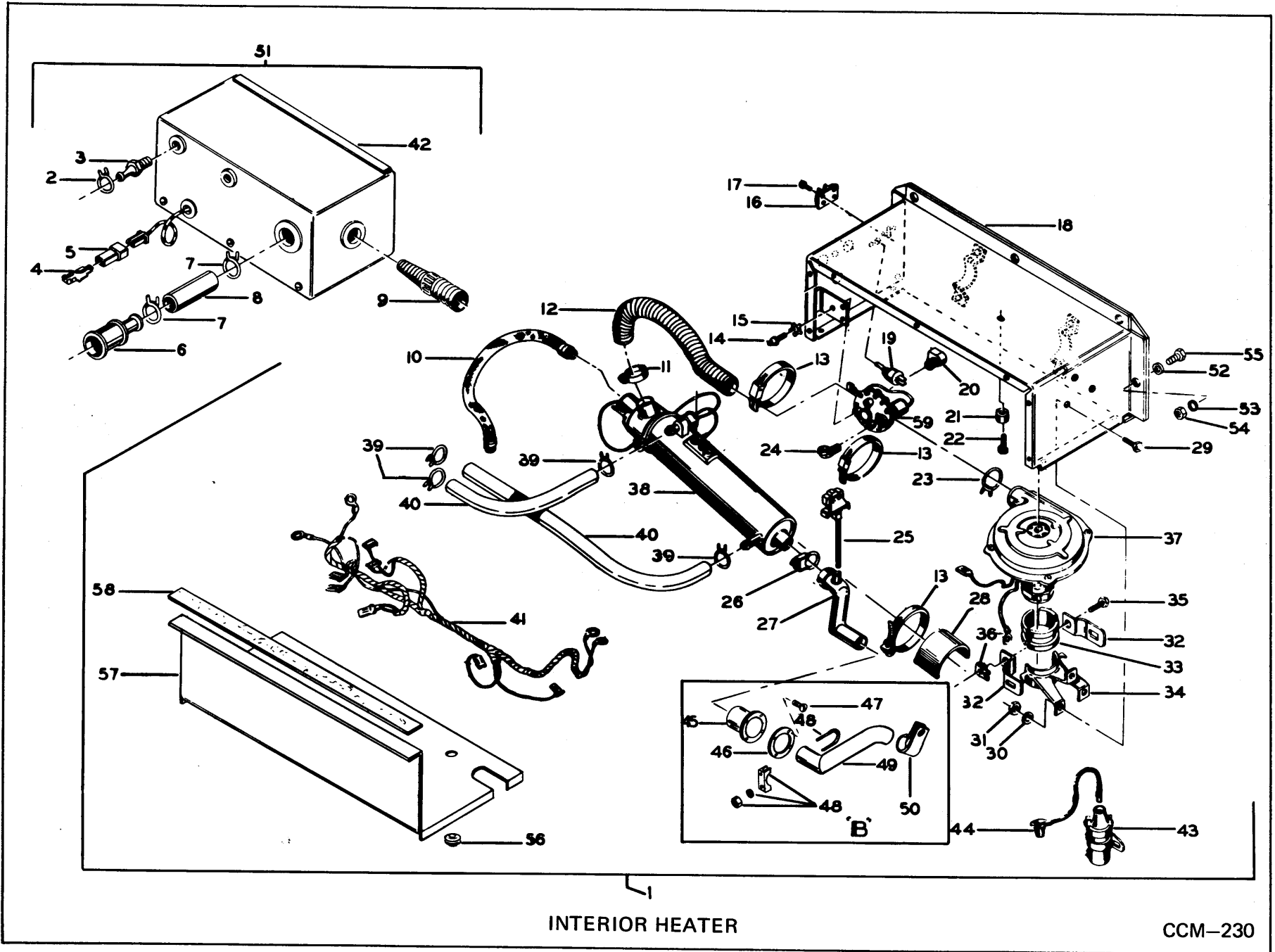




CIRCULATOR FUEL PUMP

CCM-229

ITEM	CIRCULATOR FUEL PUMP (Use Illustration CCM-229)	REQUIRED	Serial No. 351-400						ITEM
	DESCRIPTION								
1	Clamp	1	942792						1
2	90° Elbow	1	62F-2						2
3	Nut	4	7D-04J						3
4	Bracket	1	894432						4
5	Wrap	1	894433						5
6	Grommet	1	1307544						6
7	Screw	4	1C-408J						7
8	Cover	1	894434						8
9	Screw	3	14G-604						9
10	Grommet	1	1307544						10
11	Grommet	1	894435						11
12	Grommet	2	304915						12
13	Screw	1	14G-1406						13
14	Connector	1	894436						14
15	Nut	2	14D-10J						15
16	Fuel Pump	1	894437						16
17	Coupling Kit	1	894438						17
20	Motor	1	894439						20
21	Base	1	894440						21
22	Water Pump Repair Kit	1	894441						22
24	Washer	1	956187						24
25	Nut	1	14D-10R						25
26	Gasket	1	894442						26
27	Housing	1	894443						27
28	Screw	4	894444						28
29	Washer	4	17E-10						29
30	Nut	2	14D-10J						30
31	Elbow	1	62F-2						31
32	Fuel Line	1	1638279						32
33	Fuel Line	1	1638280						33
34	Elbow	1	62F-2						34
35	Elbow	1	620558						35
36	Grommet	1	1306762						36
37	Mounting Pad	4	1638267						37



CC-139

246

January 1, 1968

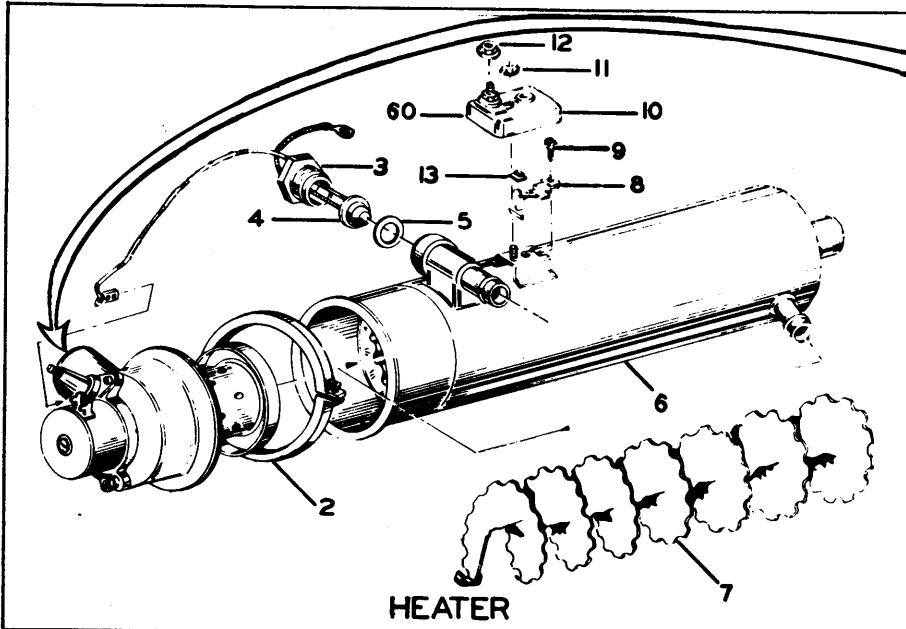
INTERIOR HEATER

CCM-230

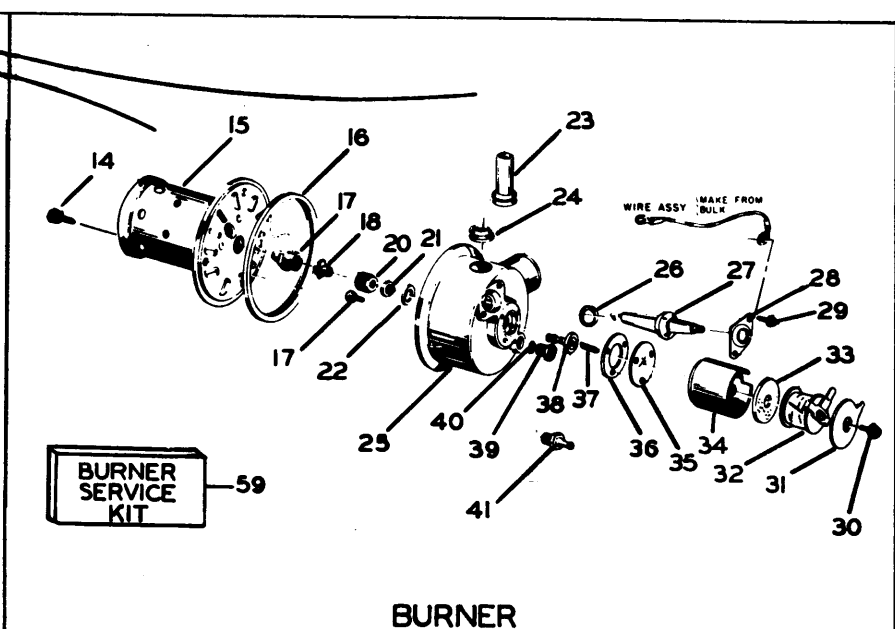
ITEM	INTERIOR HEATER (Use Illustration CCM-230)	REQUIRED	Serial No. 351-400						ITEM
	DESCRIPTION								
1	Heater Assembly—Complete	1	1638278						1
2	Fuel Line Clamp	1	17H-06						2
3	Fuel Connector	1	894380						3
4	Male Terminal	1	N.S.S.						4
5	Insulator	1	894381						5
6	Adaptor	1	894382						6
7	Hose Clamp	2	17H-15						7
8	Hose (2-1/2")	1	889269						8
9	Adaptor	1	351508						9
10	Fuel Line	1	894383						10
11	Hose Clamp	1	522633						11
12	Air Duct	1	894384						12
13	Clamp	3	763814						13
14	Screw	3	46G-1006R						14
15	Lockwasher	3	14E-10						15
16	Terminal Board	1	894385						16
17	Screw	2	18G-612						17
18	Heater Case	1	N.S.S.						18
19	Safety Valve Reset Switch	1	894386						19
20	Fuel Elbow	1	620558						20
21	Bumper	1	894387						21
22	Screw	1	14G-1410						22
23	Clamp	1	522633						23
24	Fuel Elbow	1	62F-2						24
25	Flame Detector Switch	1	894388						25
26	Clamp	1	710705						26
27	Exhaust Elbow	1	894389						27
28	Heat Shield	1	894390						28
29	Screw	3	1C-408J						29
30	Lockwasher	3	9E-04						30
31	Nut	3	1D-04R						31
32	Motor Clamp	2	894391						32
33	Mounting Pad	1	894392						33
34	Bracket	1	894393						34
35	Screw	1	14G-1016J						35
36	Speed Nut	1	894394						36
37	Blower (See Separate Parts List)	1							37
38	Exchanger & Burner (See Separate Parts List)	1							38
39	Hose Clamp	4	17H-15						39

ITEM	INTERIOR HEATER (CONT'D) (Use Illustration CCM-230)	REQUIRED	Serial No. 351-400						ITEM
	DESCRIPTION								
40	Hose (17")	2	889269						40
41	Wiring Harness	1	894395						41
42	Water Pump Box (See Separate Parts List)								42
43	Coil	1	894396						43
44	Ignition Cable	1	894397						44
45	Insulator	1	1638260						45
46	Gasket	1	1638262						46
47	Bolt	4	58G-1006						47
48	Clamp	1	710705						48
49	Tail Pipe	1	1638265						49
50	Clamp	1	754205						50
51	Water and Fuel Pump Kit	1	1638277						51
52	Mounting Pad—Rear	1	1638259						52
	Mounting Pad—Front	1	1638258						
53	Lockwasher	3	17E-10						53
54	Nut	3	12D-10						54
55	Bolt	3	45G-1010						55
56	Grommet	1	1638255						56
57	Access Panel	1	1638246						57
58	Access Panel Gasket	1	1638253						58
59	Fuel Safety Valve	1	894483						59

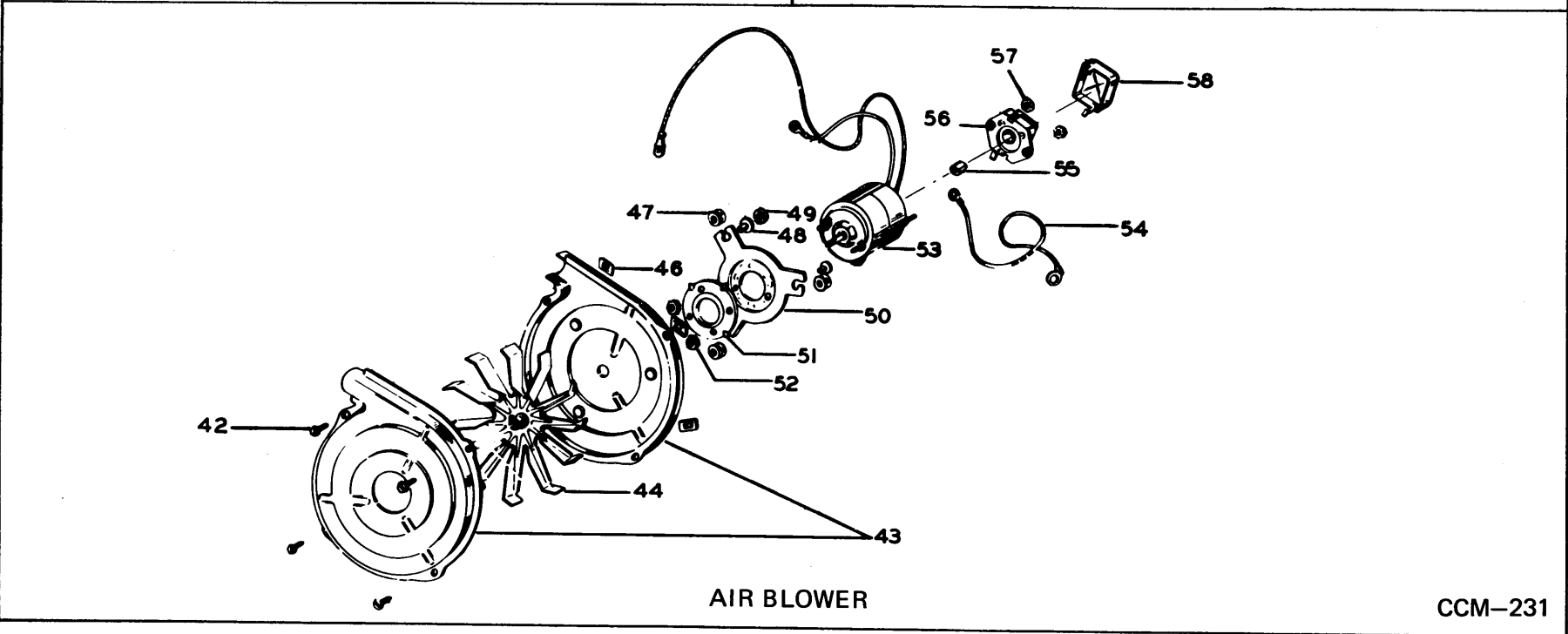
CORTEZ DIVISION



HEATER



BURNER



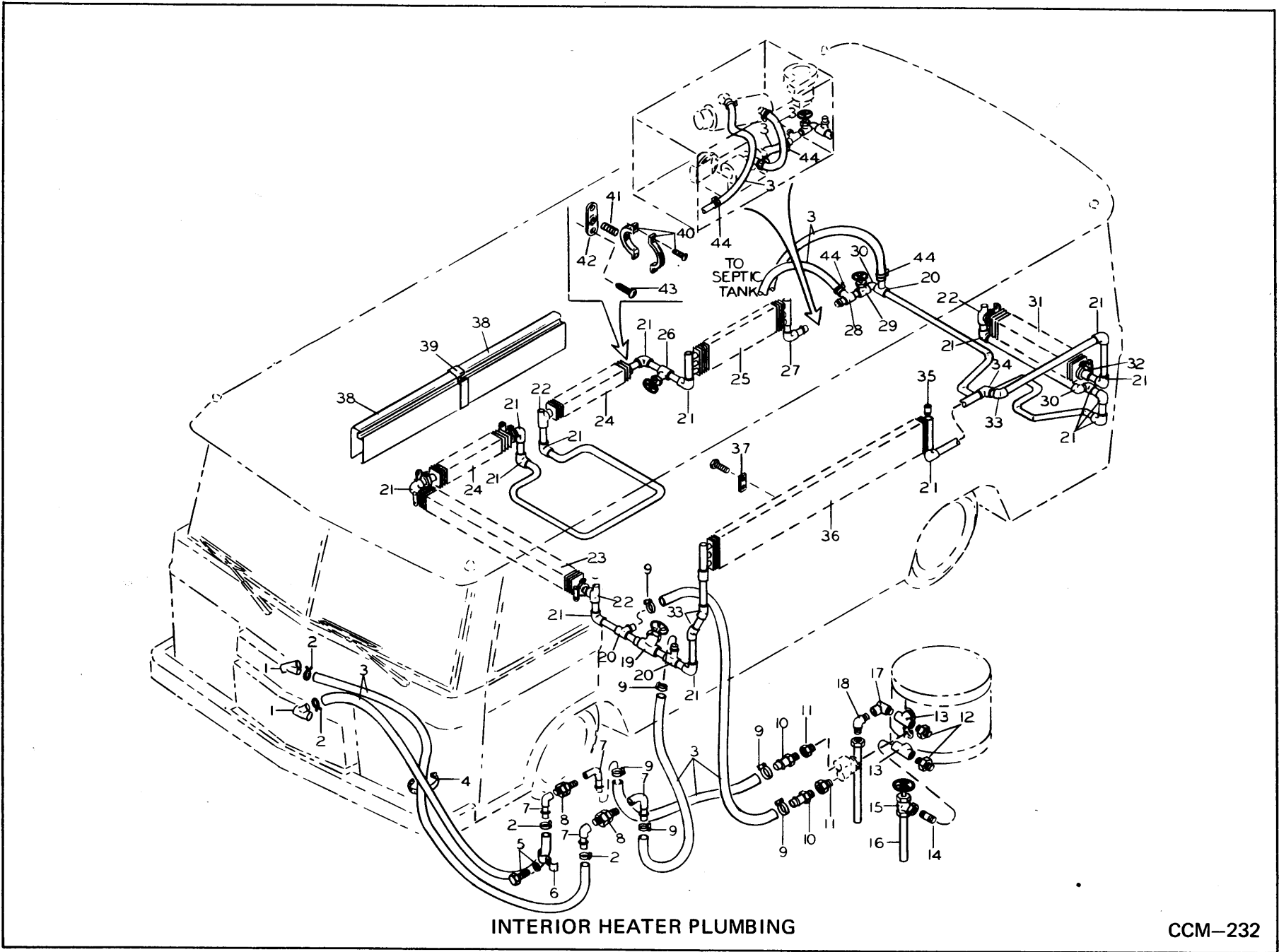
AIR BLOWER

ITEM	AIR BLOWER (Use Illustration CCM-231)	REQUIRED	Serial No. 351-400						ITEM
	DESCRIPTION								
2	Burner Clamp	1	894398						2
3	Nut	1	894399						3
4	Thermal Switch Kit (Includes Item 5)	1	894400						4
5	Gasket	1	894401						5
6	Heat Exchanger	1	894402						6
7	Baffle Assembly	1	894403						7
8	Switch Spring	1	894404						8
9	Screw	1	14G-804						9
10	Safety Switch Cover	1	894405						10
11	Nut	1	12D-8J						11
12	Nut	1	12D-8J						12
13	Safety Switch Link	1	894406						13
14	Screw	3	45G-806J						14
	Lockwasher	3	14E-8						
15	Mixer Assembly	1	894407						15
16	Burner Gasket (Ref: Item 59)	1	N.S.S.						16
17	Fuel Nozzle	1	894408						17
	Low Output Fuel Nozzle	1	898955						
18	Spacer (Ref: Item 59)	1	N.S.S.						18
19	Screw	3	45G-610J						19
	Lockwasher	3	14E-6						
20	Valve Seat Retainer	1	894409						20
21	Valve Seat (Ref: Item 59)	1	N.S.S.						21
22	Seat Gasket (Ref: Item 59)	1	N.S.S.						22
23	Vent Tube	1	894410						23
24	Vent	1	894411						24
25	Burner Base	1	894412						25
26	Spark Plug Washer	1	894413						26
27	Spark Plug Kit (Includes Item 26)	1	894414						27
28	Spark Plug Retainer	1	894415						28
29	Screw	2	45G-806J						29
	Lockwasher	2	14E-8						
30	Screw	1	45G-806J						30
	Lockwasher	1	14E-8						
31	Coil Cover	1	894416						31
32	Solenoid Coil	1	894417						32
33	Washer	1	894418						33
34	Coil Cup	1	894419						34
35	Sealing Disc (Ref: Item 59)	1	N.S.S.						35
36	Coil Cup Gasket (Ref: Item 59)	1	N.S.S.						36
37	Valve Spring (Ref: Item 59)	1	N.S.S.						37

CORTEZ DIVISION

ITEM	AIR BLOWER (CONT'D) (Use Illustration CCM-231)	REQUIRED	Serial No. 351-400						ITEM
	DESCRIPTION								
38	Fuel Valve (Ref: Item 59)	1	N.S.S.						38
39	Fuel Connector	1	59F-2						39
40	Inlet Screen (Ref: Item 59)	1	N.S.S.						40
41	Fuel Connector	1	894380						41
42	Screw	4	14G-604						42
43	Blower Housing Kit (Includes Items 42 & 46)	1	894420						43
44	Blower Wheel	1	894421						44
46	Nut	4	337146						46
47	Grommet	3	1010771						47
48	Sleeve	3	894422						48
49	Nut	3	14D-10J						49
	Lockwasher	3	14E-10						50
50	Bracket	1	894423						51
51	Stiffener	1	894424						52
52	Nut	2	14D-10J						53
	Lockwasher	2	14E-10						54
53	Motor	1	894425						55
54	Wire	1	894426						56
55	Cam	1	894427						57
56	Points Assembly	1	894428						58
57	Nut	2	14D-10J						59
	Lockwasher	2	14E-10						60
58	Cover	1	894429						
59	Burner Service Kit (Includes Items 16, 18, 21, 22, 35, 38 & 40)	1	894430						
60	Safety Switch Kit (Includes Items 8 & 13)	1	894431						





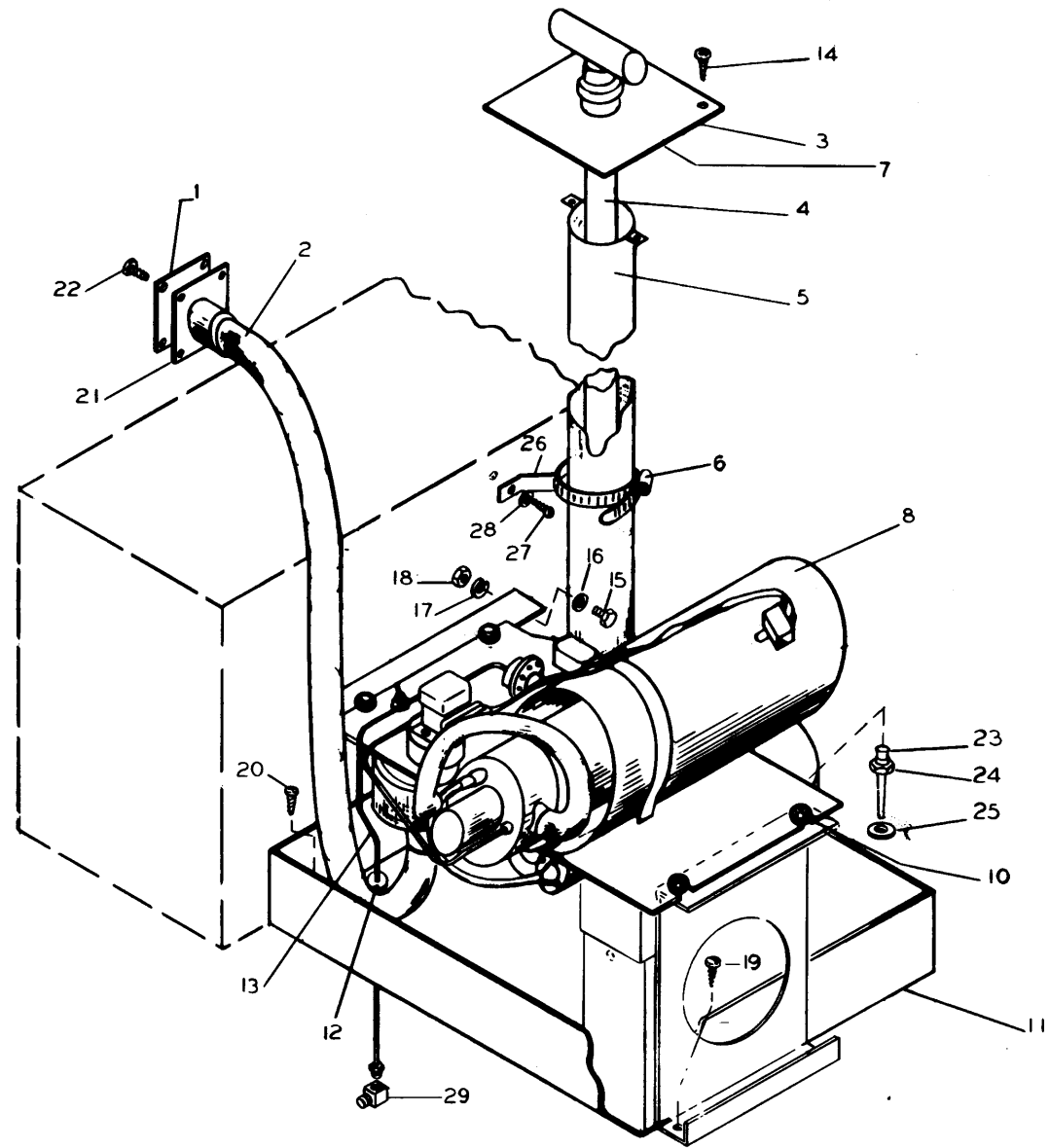
INTERIOR HEATER PLUMBING

CCM-232

ITEM	INTERIOR HEATER PLUMBING (Use Illustration CCM-232)	REQUIRED	Serial No. 351-400						ITEM
	DESCRIPTION								
1	Tee	2	1634191						1
2	Hose Clamp	6	17H-15						2
3	Hose (Bulk)	AR	889269						3
4	Rubber Strap	2	694483						4
5	Bolt	1	14G-1412						5
	Washer	1	664421						
6	Clamp	1	726220						6
7	Elbow	4	1306577						7
8	Bulkhead Fitting	2	1306573						8
9	Hose Clamp	6	4H-18						9
10	Adaptor	2	1306069						10
11	Reducer	2	620562						11
12	Connector	2	38F-10						12
13	Tee	2	20F-4						13
14	Nipple	1	5K-416						14
15	Valve	1	1305081						15
16	Nipple	1	5K-480						16
17	Valve	1	1638284						17
18	Elbow	1	742992						18
19	Valve	1	1634174						19
20	Tee	3	1306569						20
21	Elbow	15	1305996						21
22	Base Board Tee	3	1306578						22
23	Convactor	1	1633498						23
24	Convactor	2	1633496						24
25	Convactor	1	1634012						25
26	Valve	1	1306707						26
27	Elbow	1	1306793						27
28	Tee	1	1306803						28
29	Valve	1	1306707						29
30	Elbow	2	1306000						30
31	Convactor	1	1633496						31
32	Coupling	2	1305994						32
33	Elbow	4	1305995						33
34	Elbow	2	1306568						34
35	Air Vent	3	1638297						35
36	Convactor	1	1633497						36
37	Plate	2	643546						37
38	Convactor Shield	4	1634016						38
39	Shield Joint Cover	1	1634017						39

CORTEZ DIVISION

ITEM	INTERIOR HEATER PLUMBING (CONT'D) (Use Illustration CCM-232)	REQUIRED	Serial No. 351-400						ITEM
	DESCRIPTION								
40	Split Ring Hanger	11	1634175						40
41	Stud	11	611155						41
42	Plate	11	1634176						42
43	Screw	22	57G-1012						43
44	Hose Clamp	10	4H-18						44

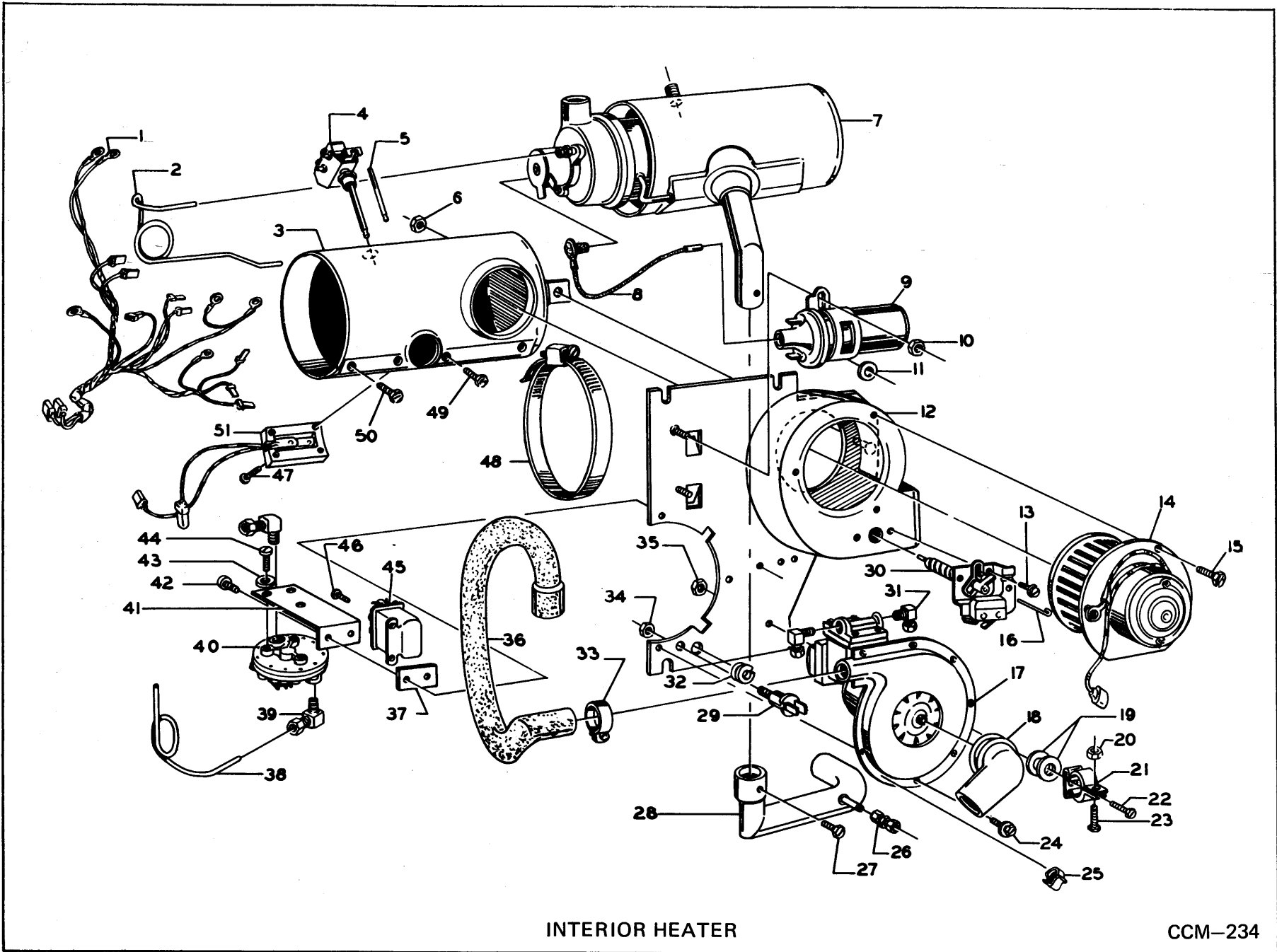


INTERIOR HEATER

CCM-233

ITEM	INTERIOR HEATER (Use Illustration CCM-233)	REQUIRED	Serial No. 501-905						ITEM
	DESCRIPTION								
1	Air Intake Louver	1	896271						1
2	Air Intake Hose		1654196						2
3	Exhaust Flashing Assembly	1	1654165						3
4	Exhaust Stack	1	1654193						4
5	Exhaust Shroud	1	1654194						5
6	Shroud Clamp	1	942792						6
7	Heater Support Cleat	1	1654168						7
8	Heater Assembly (See Separate Parts List for Components)	1	1654161						8
9	Heater Support	1	1654169						9
10	Heater Mounting Bolt	4	1C-412						10
	Heater Mounting Washer	4	664421						
	Heater Mounting Lockwasher	4	4E-04						
	Heater Mounting Nut	4	1D-04						
11	Drip Pan	1	1654171						11
12	Grommet	1	1306799						12
13	Fuel Line Assembly	1	1302528						13
14	Flashing Mounting Screw	16	58G-808						14
15	Cleat Mounting Bolt	2	1C-516						15
16	Cleat Mounting Washer	2	664422						16
17	Cleat Mounting Lockwasher	2	4E-05						17
18	Cleat Mounting Nut	2	1D-05						18
19	Support to Floor Screw	2	58G-1012						19
20	Drip Pan to Floor Screw	2	18G-608						20
21	Louver Mounting Gasket	1	1616305						21
22	Louver Mounting Screw	4	58G-1010						22
23	Exhaust Elbow Drain Tube—12"	1	2M-03						23
24	Drain Tube Nut	1	64F-2						24
25	Drain Tube Grommet	1	1306799						25
26	Bracket, Shroud	1	896290						26
27	Bracket Mounting Screw	2	66G-1012						27
28	Bracket Mounting Lockwasher	2	14E-10						28
29	Fuel Line to Tank Fitting	1	62F-2						29

CORTEZ DIVISION



INTERIOR HEATER

CCM-234

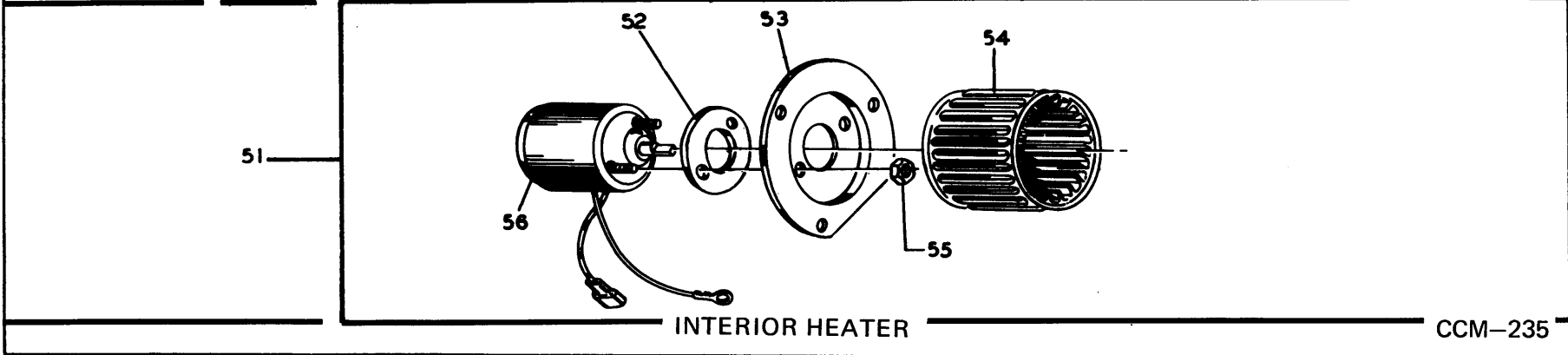
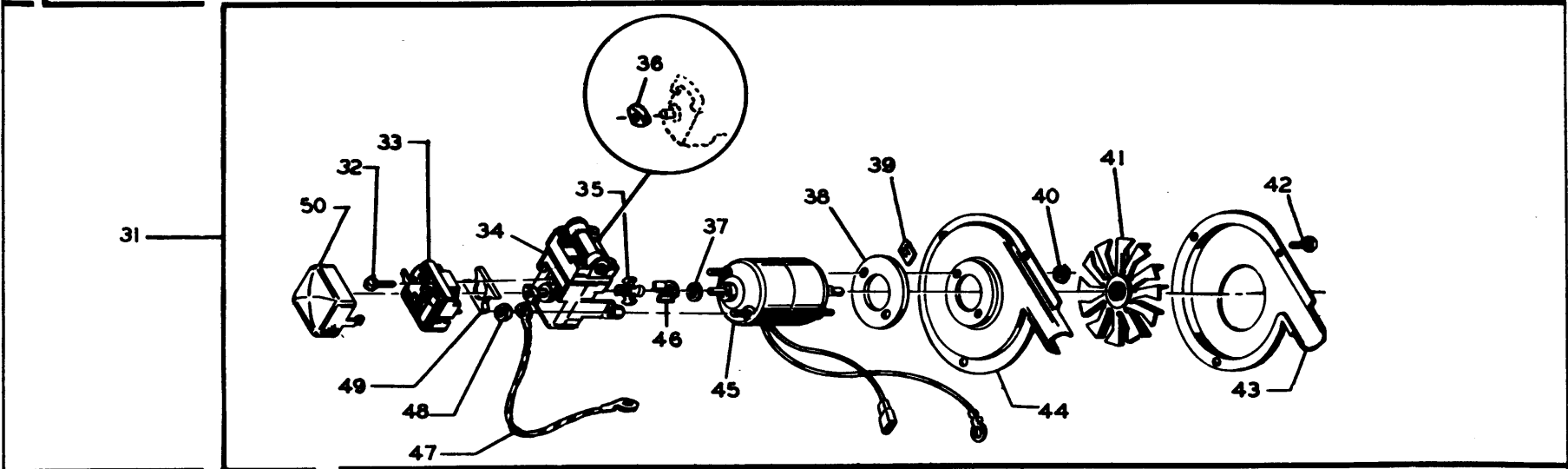
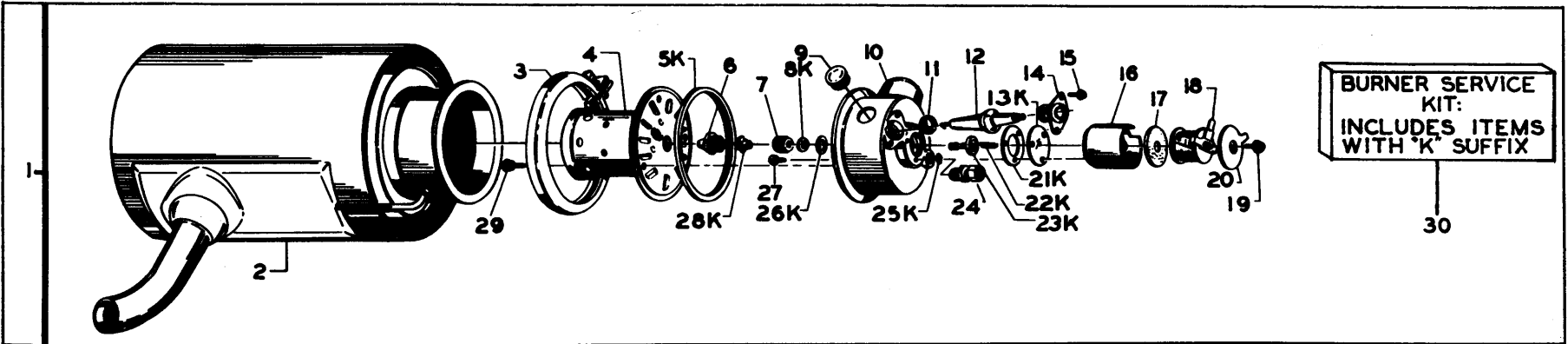
ITEM	INTERIOR HEATER (Use Illustration CCM-234)	REQUIRED	Serial No. 501-905						ITEM
	DESCRIPTION								
	Heater Assembly Complete (Includes Items 1 thru 51)	1	1654161						
1	Wiring Harness	1	896359						1
2	Safety Valve to Burner Fuel Line	1	896360						2
3	Heater Housing	1	896361						3
4	Flame Detector Switch (Includes Item 5)	1	894388						4
5	Ceramic Rod	1	899390						5
6	Nut	3	896362						6
7	Burner & Exchanger Assembly (See Separate Parts List For Components)	1	896363						7
8	Spark Plug Cable	1	894397						8
9	Coil	1	894396						9
10	Nut	2	896364						10
11	Flat Washer	1	664402						11
12	Blower Housing and Heater Bracket Assembly	1	896365						12
13	Screw	2	14G-806J						13
14	Blower Wheel and Motor Assembly	1	896355						14
15	Screw	3	14G-1006J						15
16	Control Wire	1	896366						16
17	Air Combustion Blower Assembly	1	896345						17
18	Air Inlet Adaptor	1	896367						18
19	Spacer	2	896368						19
20	Nut	1	896349						20
21	Clamp	1	896369						21
22	Screw	1	47G-416J						22
23	Screw	1	47G-424J						23
24	Screw	3	14G-806J						24
25	Clip	1	896370						25
26	Union	1	50F-2						26
27	Screw	1	14G-1008						27
28	Exhaust Elbow	1	1654193						28
29	Reset Switch	1	894386						29
30	Thermostat	1	896371						30
31	Elbow	1	896372						31
32	Grommet	1	304914						32
33	Clamp	1	522633						33
34	Nut	1	8D-07J						34

CORTEZ DIVISION

ITEM	INTERIOR HEATER (CONT'D) (Use Illustration CCM-234)	REQUIRED	Serial No. 501-905						ITEM
	DESCRIPTION								
35	Nut	1	896349						35
36	Air Duct	1	896373						36
37	Gasket	1	896374						37
38	Pump to Safety Valve Fuel Line	1	896375						38
39	Elbow	2	896372						39
40	Safety Valve	1	896376						40
41	Bracket, Valve	1	896377						41
42	Screw	2	14G-1006						42
43	Lockwasher	3	14E-10						43
44	Screw	3	46G-1006R						44
45	Relay	1	896378						45
46	Screw	2	14G-1006j						46
47	Screw	4	14G-612						47
48	Clamp	1	528651						48
49	Screw	2	14G-804j						49
50	Screw	2	18G-806j						50
51	Overheat Switch	1	896379						51

CORTEZ DIVISION

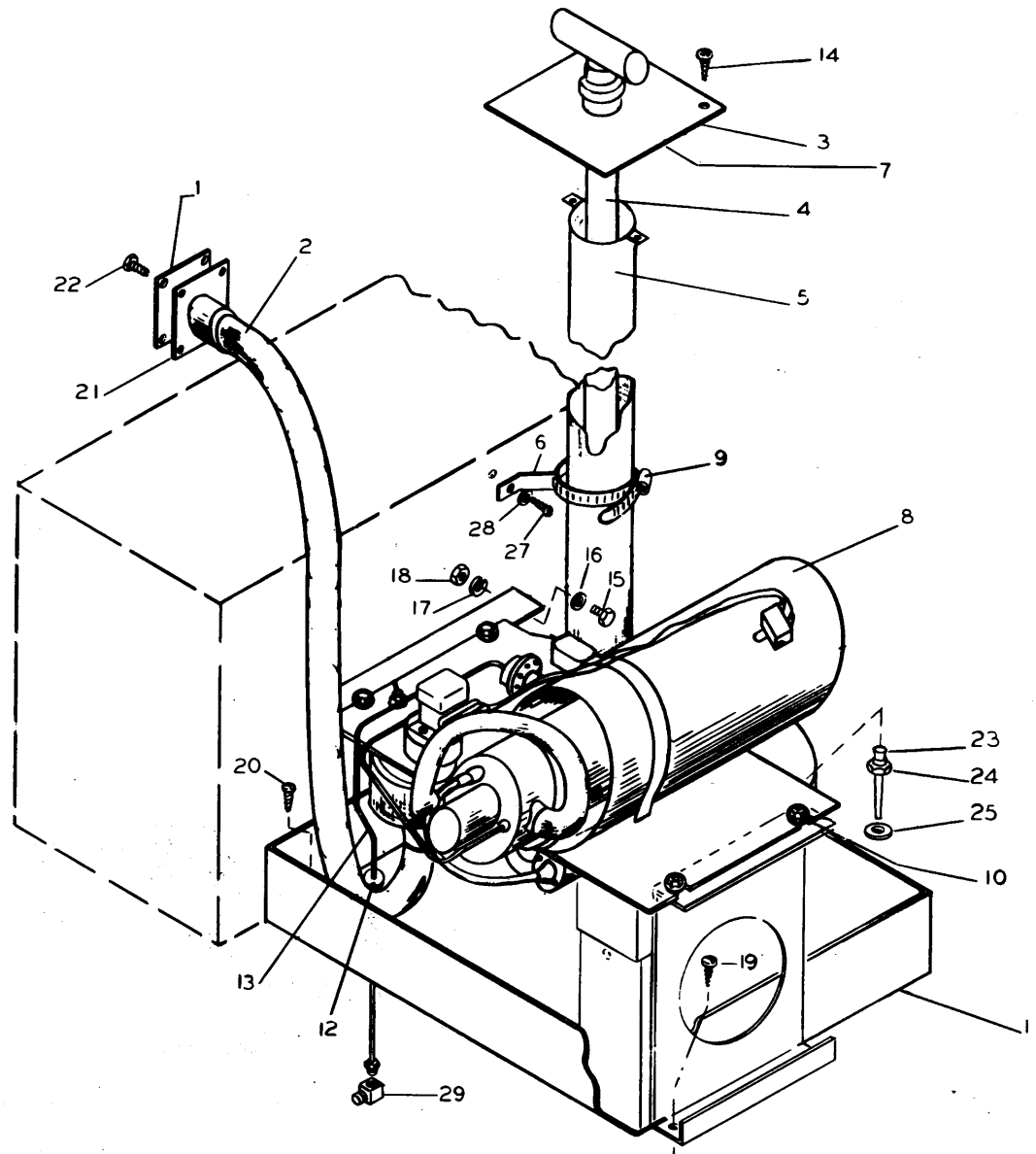




ITEM	INTERIOR HEATER (Use Illustration CCM-235)	REQUIRED	Serial No. 501-905						ITEM
	DESCRIPTION								
1	Burner and Exchanger Assembly (Includes Items 2 thru 29)	1	896363						1
2	Heat Exchanger	1	896341						2
3	Burner Clamp	1	894398						3
4	Mixer Assembly	1	894407						4
5	Burner Gasket (Ref: Item 30)	1	N.S.S.						5
6	Fuel Nozzle	1	896342						6
7	Seat Retainer	1	894409						7
8	Valve Seat (Ref: Item 30)	1	N.S.S.						8
9	Plug	1	896343						9
10	Burner Base	1	894412						10
11	Spark Plug Gasket	2	894413						11
12	Spark Plug Kit (Includes Item 11)	1	894414						12
13	Sealing Disc (Ref: Item 30)	1	N.S.S.						13
14	Spark Plug Retainer Cap	1	894415						14
15	Screw	2	45G-806J						15
16	Coil Cup	1	894419						16
17	Washer	1	894418						17
18	Fuel Solenoid Coil	1	894417						18
19	Screw	1	45G-806J						19
20	Coil Cover	1	894416						20
21	Coil Cup Gasket (Ref: Item 30)	1	N.S.S.						21
22	Valve Spring (Ref: Item 30)	1	N.S.S.						22
23	Fuel Valve (Ref: Item 30)	1	N.S.S.						23
24	Fuel Connector	1	896344						24
25	Inlet Screen (Ref: Item 30)	1	N.S.S.						25
26	Valve Seat Gasket (Ref: Item 30)	1	N.S.S.						26
27	Screw	3	45G-610J						27
28	Spacer (Ref: Item 30)	1	N.S.S.						28
29	Screw	3	45G-806J						29
30	Burner Service Kit	1	894430						30
31	Air Combustion Blower Assembly (Includes Items 32 thru 50)	1	896345						31
32	Screw	1	45G-808J						32
33	Breaker Points	1	896346						33
34	Fuel Pump	1	896347						34
35	Coupling Kit (Includes Items 37 and 46)	1	894438						35
36	Breaker Point Cam	1	894427						36
37	Washer (Ref: Item 35)	1	N.S.S.						37

CORTEZ DIVISION

ITEM	INTERIOR HEATER (CONT'D) (Use Illustration CCM-235)	REQUIRED	Serial No. 501-905						ITEM
	DESCRIPTION								
38	Motor Spacer	1	896348						38
39	Nut	6	337146						39
40	Nut	2	896349						40
41	Blower Wheel	1	896350						41
42	Screw	6	14G-604						42
43	Blower Housing	1	896351						43
44	Blower Housing	1	896352						44
45	Combustion Air Motor	1	896353						45
46	Connector (Ref: Item 35)	1	N.S.S.						46
47	Wire Assembly	1	894426						47
48	Nut	2	896349						48
49	Gasket	1	896354						49
50	Breaker Point Cover	1	894429						50
51	Blower Wheel & Motor Assembly (Includes Items 52 thru 56)	1	896355						51
52	Motor Spacer	1	896348						52
53	Blower Mounting Plate	1	896356						53
54	Ventilating Blower Wheel	1	896357						54
55	Nut	2	896349						55
56	Motor	1	896358						56

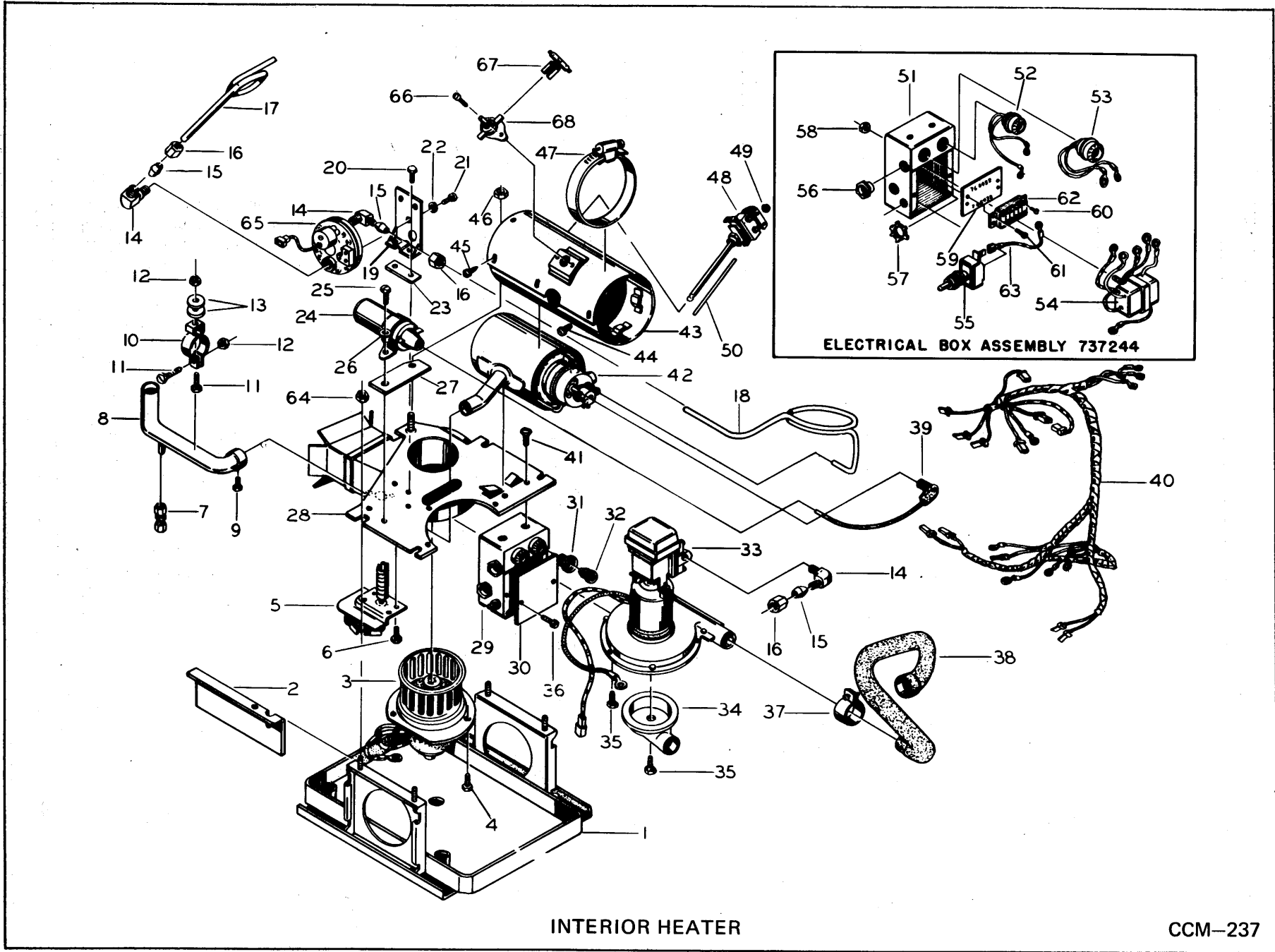


INTERIOR HEATER

CCM-236

ITEM	INTERIOR HEATER (Use Illustration CCM-236)	REQUIRED	Serial No. 906-2200						ITEM
	DESCRIPTION								
1	Air Intake Louver	1	896271						1
2	Air Intake Hose		1654196						2
3	Exhaust Flashing Assembly	1	1680475						3
4	Exhaust Stack	1	1654193						4
5	Exhaust Shroud	1	1654194						5
6	Shroud Clamp Angle	1	1654170						6
7	Exhaust Stack Clamp & Fingers	1	1680470						7
8	Heater Assembly (See Separate Parts List for Components)	1	1681099						8
9	Clamp	1	522632						9
10	Heater Mounting Bolt	4	1C-412						10
	Heater Mounting Washer	4	664421						
	Heater Mounting Lockwasher	4	4E-04						
	Heater Mounting Nut	4	1D-04						
11	Drip Pan	1	1680474						11
12	Grommet	1	1675767						12
13	Fuel Line Assembly	1	1302528						13
14	Flashing Mounting Screw	16	58G-808						14
15	Cleat Mounting Bolt	2	1C-516						15
16	Cleat Mounting Washer	2	664422						16
17	Cleat Mounting Lockwasher	2	4E-05						17
18	Cleat Mounting Nut	2	1D-05						18
19	Support to Floor Screw	2	58G-1012						19
20	Drip Pan to Floor Screw	2	18G-608						20
21	Louver Mounting Gasket	1	1616305						21
22	Louver Mounting Screw	4	58G-1010						22
23	Exhaust Elbow Drain Tube—12"	1	2M-03						23
24	Drain Tube Nut	1	64F-2						24
25	Drain Tube Grommet	1	1306799						25
27	Bracket Mounting Screw	2	66G-1012						27
28	Bracket Mounting Lockwasher	2	14E-10						28
29	Fuel Line to Tank Fitting	1	62F-2						29

CORTEZ DIVISION



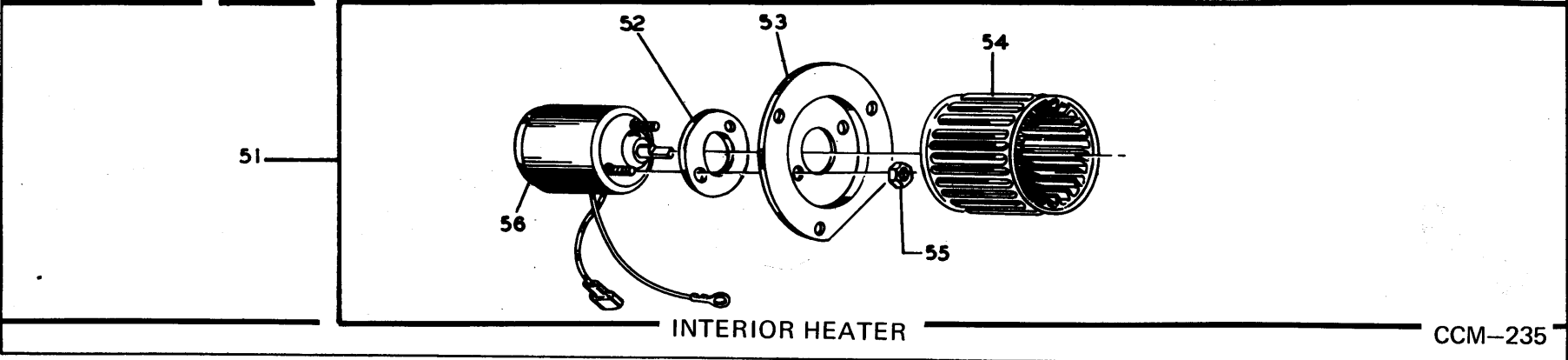
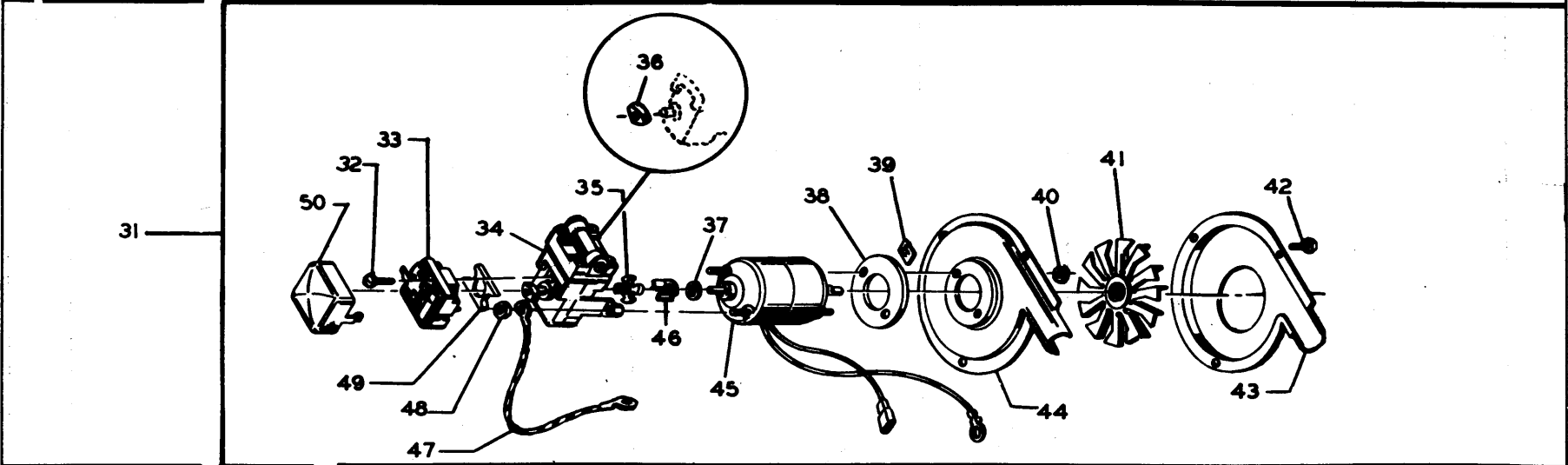
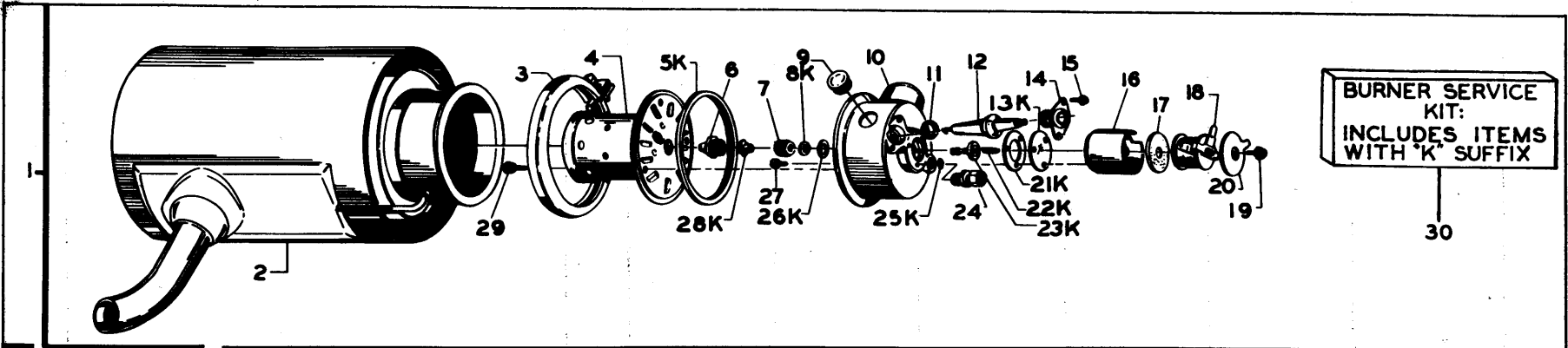
INTERIOR HEATER

ITEM	INTERIOR HEATER (Use Illustration CCM-237)	REQUIRED	Serial No. 906-2200						ITEM
	DESCRIPTION								
1	Drip Pan and Support	1	1680474						1
2	Shield	1	899022						2
3	Blower Wheel and Motor Assembly	1	899007						3
4	Screw & Lockwasher	3	14G-1006 w/14E-10						4
5	Thermostat	1	899024						5
6	Screw & Lockwasher	2	14G-806 w/14E-8						6
7	Union	1	50F-02						7
8	Exhaust Elbow	1	1654192						8
9	Screw	1	14G-1008						9
10	Clamp	1	896369						10
11	Screw & Lockwasher	2	47G-416J w/8E-04						11
12	Nut	2	896362						12
13	Spacer	2	896368						13
14	Elbow	2	51F-2						14
15	Sleeve	1	57F-2						15
16	Nut	1	58F-2						16
17	Tube	1	899015						17
18	Tube	1	899016						18
19	Bracket	1	896377						19
20	Screw & Lockwasher	2	14G-1006 w/14E-10						20
21	Screw	3	46G-1006R						21
22	Lockwasher	3	17E-10						22
23	Gasket	1	896374						23
24	Coil	1	894396						24
25	Screw & Lockwasher	2	14G-1408 w/8E-04						25
26	Flasher	2	664402						26
27	Gasket	1	899023						27
28	Bracket	1	899013						28
29	Electrical Box Assembly	1	899004						29
30	Cover Electrical Box	1	899014						30
31	Fuse Adaptor	2	899017						31
32	Fuse	2	899055						32
33	Air Combustion Blower Assembly	1	899010						33
34	Adaptor Assembly	1	899003						34

ITEM	INTERIOR HEATER (CONT'D) (Use Illustration CCM-237)	REQUIRED	Serial No. 906-2200						ITEM
	DESCRIPTION								
35	Screw & Lockwasher	3	14G-806 w/14E-8						35
36	Screw & Lockwasher	2	14G-1006 w/14E-10						36
37	Clamp	1	522633						37
38	Duct	1	899001						38
39	Spark Plug Cable	1	899025						39
40	Wiring Harness	1	899020						40
41	Screw	2	43G-408J						41
42	Burner & Exchange Assembly (See Separate Parts List of Components)	1	896363						42
43	Burner Clamp	1	899011						43
44	Screw & Lockwasher	2	14G-804 w/14E-8						44
45	Screw & Lockwasher	2	14G-806 w/14E-8						45
46	Nut	1	896362						46
47	Clamp	1	528651						47
48	Flame Detector Switch	1	899012						48
49	Nut	2	12D-6J						49
50	Ceramic Rod	1	899390						50
51	Box (Ref: Item 29)		N.S.S.						51
52	Fuse Receptacle	1	899018						52
53	Fuse Receptacle	1	899019						53
54	Relay Assembly	1	899000						54
55	Reset Switch	1	899053						55
56	Nipple Switch	2	655839						56
57	Lock Nut	2	610983						57
58	Nut, Relay Assembly	1	12D-6J w/15E-6						58
59	Marker Strip	1	899002						59
60	Screw & Lockwasher	2	67G-605J w/15E-6						60
61	Screw	4	14G-608J						61
62	Terminal Strip	1	899052						62
63	Cable	1	899054						63
64	Nut	4	896364						64
65	Safety Valve	1	899058						65



ITEM	INTERIOR HEATER (CONT'D) (Use Illustration CCM-237)	REQUIRED	Serial No. 906-2200						ITEM
	DESCRIPTION								
66	Screw & Lockwasher	1	14G-806 w/14E-8						66
67	Three Way Terminal	1	899056						67
68	Switch	1	899057						68



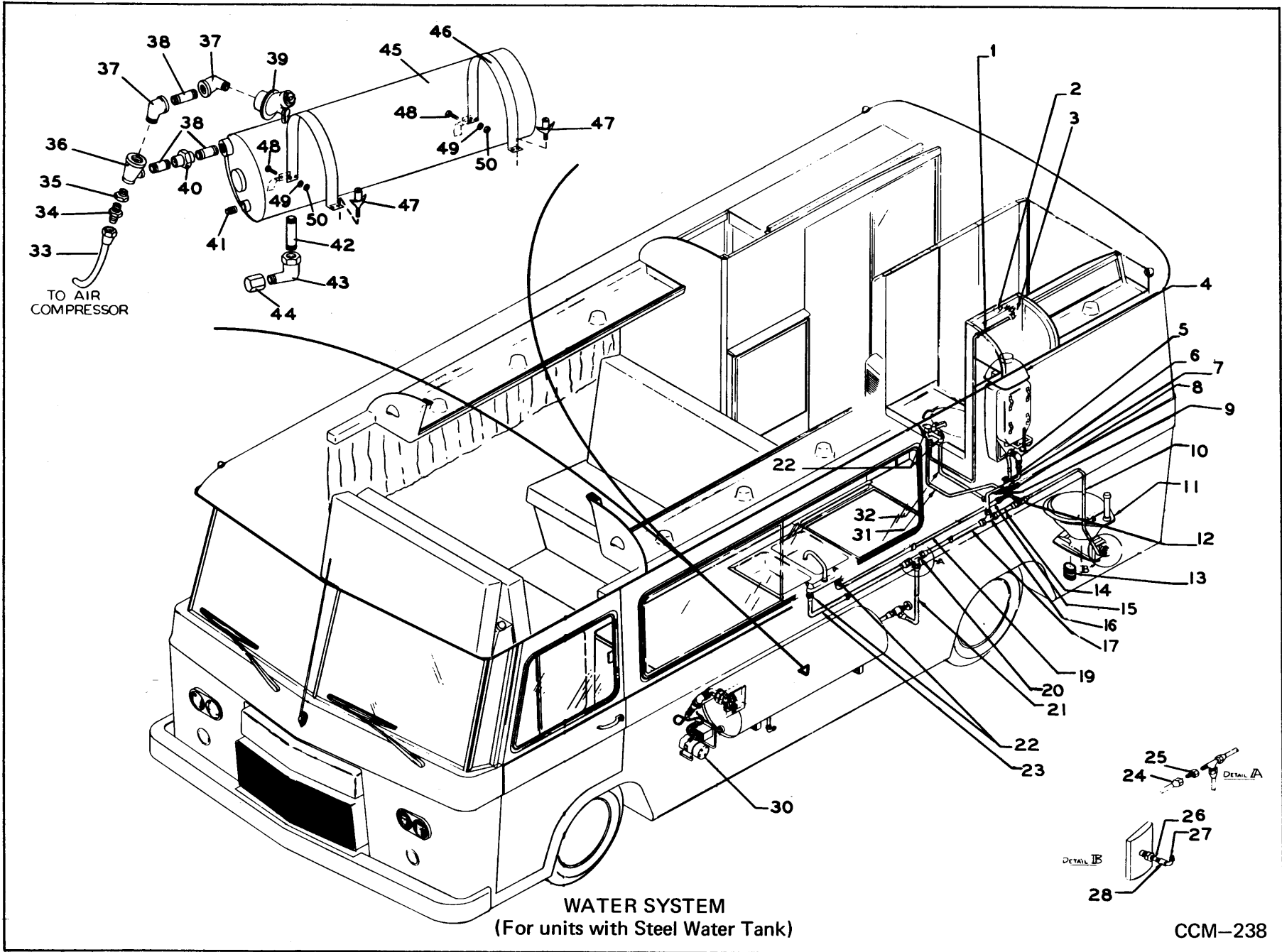
CORTEZ DIVISION

INTERIOR HEATER

ITEM	INTERIOR HEATER (Use Illustration CCM-235)	REQUIRED	Serial No. 906-2200						ITEM
	DESCRIPTION								
1	Burner and Exchange Assembly (Includes Items 2 thru 29)	1	896363						1
2	Heater Exchanger	1	896341						2
3	Burner Clamp	1	894398						3
4	Mixer Assembly	1	894407						4
5	Burner Gasket (Ref: Item 30)	1	N.S.S.						5
6	Fuel Nozzle	1	896342						6
7	Seat Retainer	1	894409						7
8	Valve Seat (Ref: Item 30)	1	N.S.S.						8
9	Plug	1	896343						9
10	Burner Base	1	894412						10
11	Spark Plug Gasket	2	894413						11
12	Spark Plug Kit (Includes Item 11)	1	894414						12
13	Sealing Disc (Ref: Item 30)	1	N.S.S.						13
14	Spark Plug Retainer Cap	1	894415						14
15	Screw & Lockwasher	2	45G-806J w/14E-8						15
16	Coil Cup	1	894419						16
17	Washer	1	894418						17
18	Fuel Solenoid Coil	1	899005						18
19	Screw & Lockwasher	1	45G-806J w/14E-8						19
20	Coil Cover	1	894416						20
21	Coil Cup Gasket (Ref: Item 30)	1	N.S.S.						21
22	Valve Spring (Ref: Item 30)	1	N.S.S.						22
23	Fuel Valve (Ref: Item 30)	1	N.S.S.						23
24	Fuel Connector	1	49F-2						24
25	Inlet Screen (Ref: Item 30)	1	N.S.S.						25
26	Valve Seat Gasket (Ref: Item 30)	1	N.S.S.						26
27	Screw & Lockwasher	3	45G-610 w/17E-6						27
28	Spacer (Ref: Item 30)	1	N.S.S.						28
29	Screw & Lockwasher	3	45G-806J w/14E-8						29
30	Burner Service Kit	1	894430						30
31	Air Combustion Blower Assembly	1	899010						31
32	Screw & Lockwasher	1	45G-808J w/14E-8						32
33	Breaker Points	1	896346						33

CORTEZ DIVISION

ITEM	INTERIOR HEATER (CONT'D) (Use Illustration CCM-235)	REQUIRED	Serial No. 906-2200						ITEM
	DESCRIPTION								
34	Fuel Pump	1	896347						34
35	Coupling Kit (Includes Items 37 and 46)	1	894438						35
36	Breaker Point Cam	1	894427						36
37	Washer (Ref: Item 35)	1	N.S.S.						37
38	Motor Spacer	1	896348						38
39	Nut	6	337146						39
40	Nut	2	896349						40
41	Blower Wheel	1	896350						41
42	Screw	6	14G-604						42
43	Blower Housing	1	899006						43
44	Blower Housing	1	896352						44
45	Combustion Air Motor	1	896353						45
46	Connector (Ref: Item 35)	1	N.S.S.						46
47	Wire Assembly	1	Not Used						47
48	Nut	2	896349						48
49	Gasket	1	896354						49
50	Breaker Point Cover	1	894429						50
51	Blower Wheel & Motor Assembly (Includes Items 52 thru 56)	1	899007						51
52	Motor Spacer	1	899021						52
53	Blower Mounting Plate	1	899009						53
54	Ventilating Blower Wheel	1	899008						54
55	Nut	2	896349						55
56	Motor	1	896358						56



CC-139

278

January 1, 1968

# CORTEZ DIVISION

ITEM	WATER SYSTEM (Use Illustration CCM-238)	REQUIRED	Serial No. 1-200						ITEM
	DESCRIPTION								
1	Tube Assembly	1	1634259						1
2	Shower Head	1	1699379						2
3	Elbow Assembly	1	1699424						3
4	Water Heater	1	See L.P.G. System						4
5	Elbow	1	43F-8						5
6	Shut-Off Valve	1	1633426						6
7	Tube Assembly	1	1634261						7
8	Tube Assembly	1	1634262						8
9	Tube Assembly	1	1634260						9
10	Tube Assembly	1	1634256						10
11	Toilet	1	See Interior						11
12	Tee	1	44F-8						12
13	Nipple	1	5K-2421						13
14	Tube Assembly	1	1634255						14
15	Tee	1	44F-7						15
16	Tee	1	1624747						16
17	Tube Assembly	1	1634254						17
19	Tube Assembly	1	1634263						19
20	Tee	1	44F-8						20
21	Tube Assembly	1	1628351						21
22	Half Union	4	1634035						22
23	Tube Assembly	1	1634253						23
24	Nut	1	48F-7						24
25	Female Half Union	1	1634034						25
26	Nipple	1	5K-320						26
27	Elbow	1	742992						27
28	Coupling	1	75F-3						28
30	Air Compressor Assembly	1	1699487						30
31	Tube Assembly	1	1634257						31
32	Tube Assembly	1	1634258						32
33	Compressor to Tank Tube	1	1620356						33
34	Male Connector	1	38F-3						34
35	Reducer	1	19F-4						35
36	Reducing Elbow	1	20F-45						36
37	Elbow	2	26F-7						37
38	Nipple	3	5K-1013						38
39	Filler Neck & Cap	1	1699439						39
40	Union	1	663467						40

CC-139

279

January 1, 1968

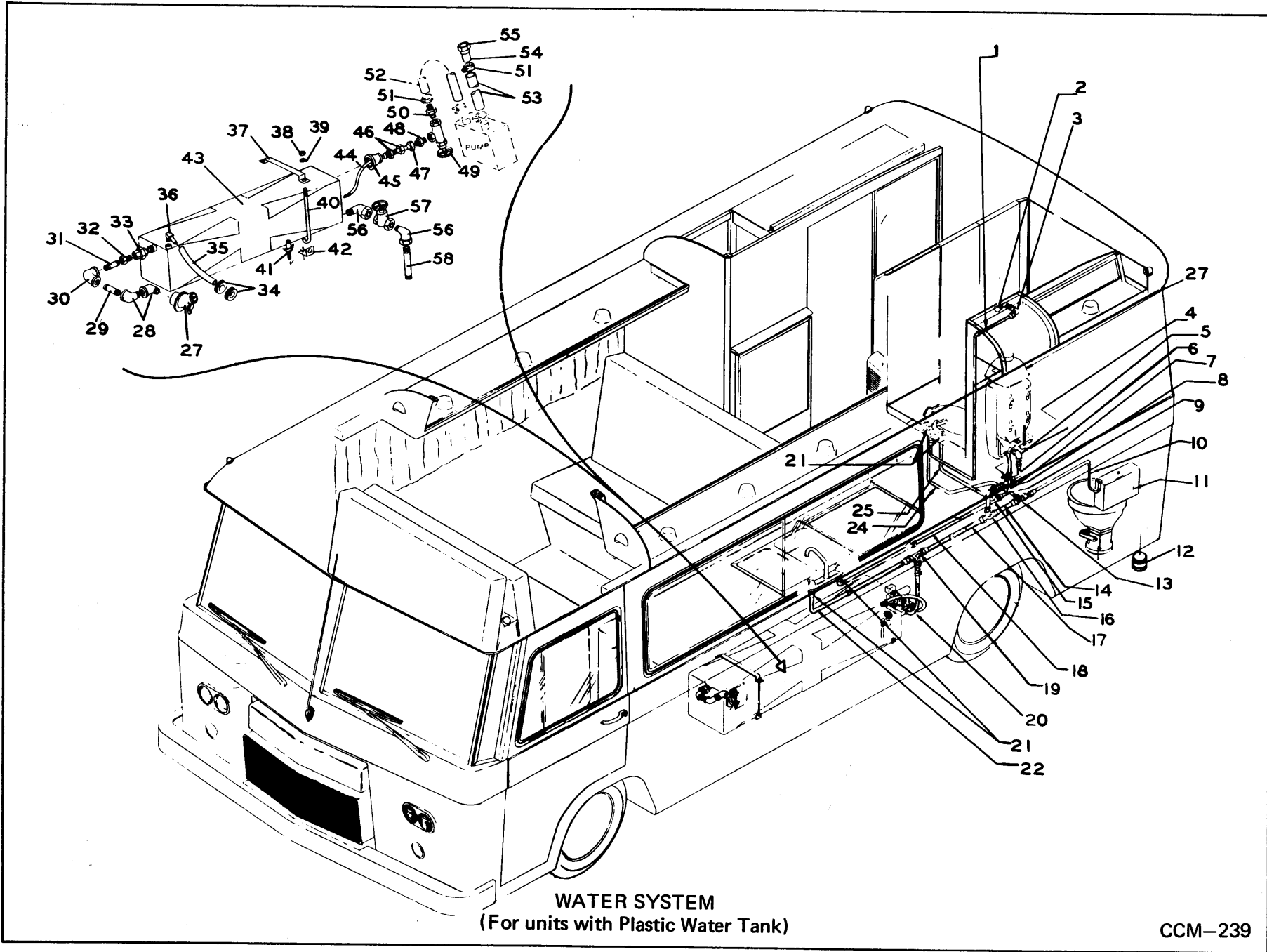
CORTEZ DIVISION

ITEM	WATER SYSTEM (CONT'D) (Use Illustration CCM-238)	REQUIRED	Serial No. 1-200						ITEM
	DESCRIPTION								
41	Pipe Plug	1	13F-12						41
42	Nipple	1	5K-642						42
43	Elbow	1	1305438						43
44	Cap	1	1305439						44
45	Water Tank	1	1699409						45
46	Tank Mounting Strap	2	1620354						46
47	Wall Grip Screw	2	1620367						47
48	Bolt	4	1C-412						48
49	Lockwasher	4	4E-04						49
50	Nut	4	1D-04						50

CC-139

280

January 1, 1968



CCM-239



**CORTEZ DIVISION**

ITEM	WATER SYSTEM (Use Illustration CCM-239)	REQUIRED	Serial No. 201-350 401-500						ITEM
	DESCRIPTION								
1	Tube Assembly	1	1634259						1
2	Shower Head	1	1699379						2
3	Elbow Assembly	1	1699424						3
4	Shut-Off Valve	1	1633426						4
5	Elbow	1	43F-8						5
6	Tube Assembly	1	1634261						6
7	Tube Assembly	1	1634262						7
8	Check Valve	1	1634098						8
9	Tube Assembly	1	1634260						9
10	Tube Assembly	1	1634097						10
11	Toilet	1	See Interior						11
12	Nipple	1	5K-2432						12
13	Tee	1	1634483						13
14	Tube Assembly	1	1634255						14
15	Tee	1	44F-7						15
16	Tee	1	44F-8						16
17	Tube Assembly	1	1634254						17
18	Tube Assembly	1	1634263						18
19	Tee	1	44F-8						19
20	Pump Assembly Complete	1	1633483						20
21	Faucet Adaptor	4	1634035						21
22	Tube Assembly	1	1634253						22
24	Tube Assembly	1	1634257						24
25	Tube Assembly	1	1634258						25
26	Water Heater	1	See L.P.G. System						26
27	Filler Neck & Cap	1	1699439						27
28	Elbow	2	26F-7						28
29	Nipple	1	5K-1020						29
30	Elbow	1	24F-7						30
31	Nipple	1	5K-1014						31
32	Reducer	1	19F-18						32
33	Union	1	1305895						33
34	Grommet	2	742588						34
35	Hose 11"	1	672405						35
36	Elbow	1	666839						36
37	Strap	2	1633484						37
38	Nut	4	61D-05						38
39	Washer	4	664422						39
40	"J" Bolt	4	1305893						40

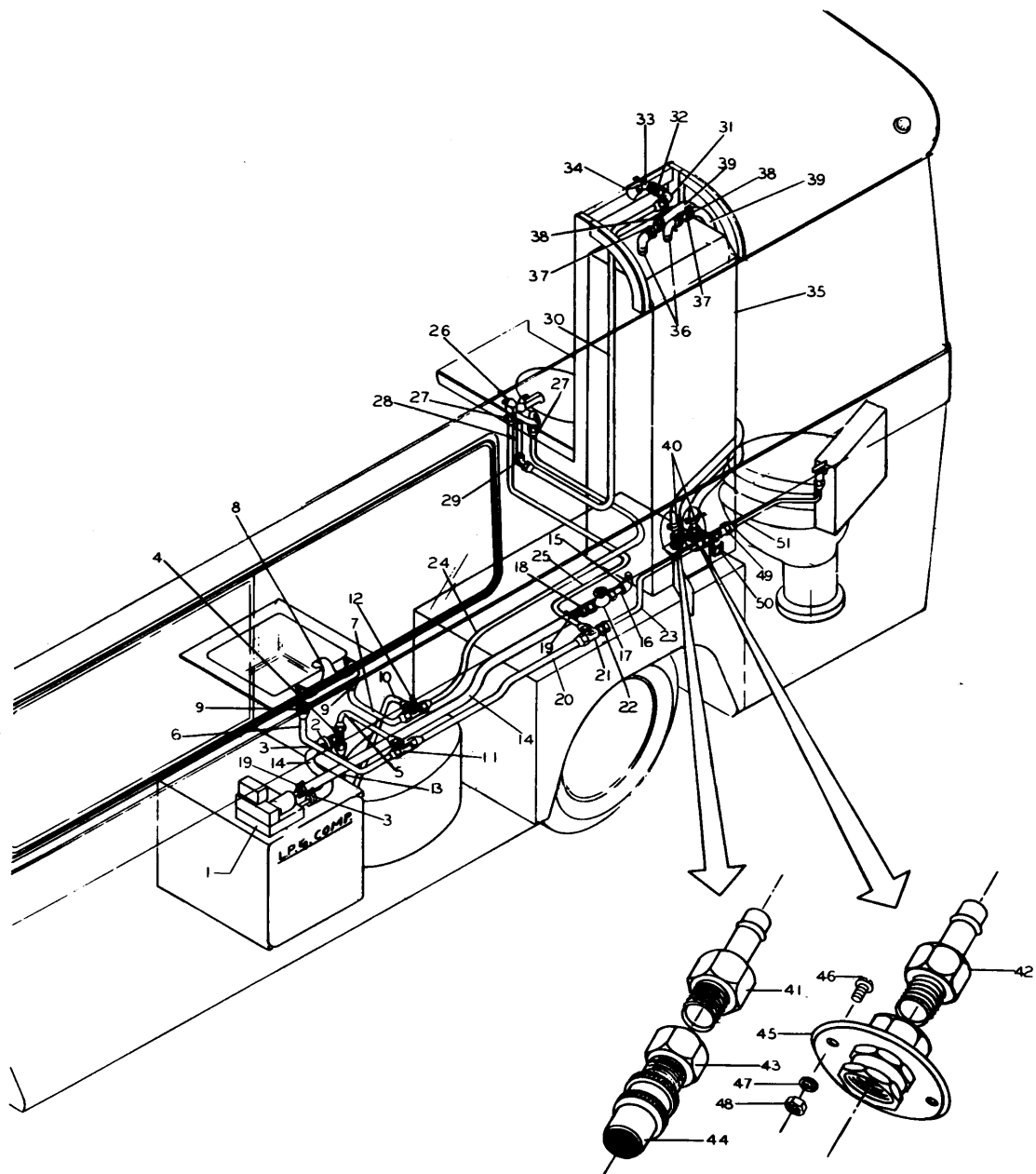
CC-139

283

January 1, 1968

ITEM	WATER SYSTEM (CONT'D) (Use Illustration CCM-239)	REQUIRED	Serial No. 201-350 401-500						ITEM
	DESCRIPTION								
41	Wall Grip Screw	4	1620367						41
42	Bracket	4	1634075						42
43	Water Tank	1	1633486						43
44	Tube	1	1634158						44
45	Reducing Coupling	1	76F-7						45
46	Slip Fitting	1	1634150						46
47	Flare Nut	1	48F-8						47
48	Tube Union	1	38F-10						48
49	Angle Valve	1	1305081						49
50	Fitting	1	1634183						50
51	Hose Clamp	2	4H-12						51
52	Hose (Furnished w/Pump)	1							52
53	Hose (Furnished w/Pump)	1							53
54	Tube	1	1634401						54
55	Flare Nut	1	48F-8						55
56	Elbow	2	26F-4						56
57	Drain Valve	1	1634095						57
58	Nipple	1	5K-444						58

CORTEZ DIVISION



WATER SYSTEM

CCM-240

# CORTEZ DIVISION

ITEM	WATER SYSTEM (Use Illustration CCM-240)	REQUIRED	Serial No. 351-400						ITEM
	DESCRIPTION								
1	Water Pump	1	1633483						1
2	Check Valve	1	1634416						2
3	Clamp	2	521874						3
4	Tee	1	44F-8						4
5	Copper Tubing (5/8 O.D. x 13L)	1	1306078						5
6	Copper Tubing (1/2 O.D. x 19L)	1	1306077						6
7	Copper Tubing (1/2 O.D. x 20L)	1	1306077						7
8	Faucet	1	1634008						8
9	Adaptor	2	1634035						9
10	Copper Tubing (5/8 O.D. x 30L)	1	1306078						10
11	Tee	1	1306761						11
12	Tee	1	1306699						12
13	Copper Tubing (5/8 O.D. x 24L)	1	1306078						13
14	Hose	AR	1638285						14
15	Elbow	1	26F-4G						15
16	Nipple	1	5K-424G						16
17	Globe Valve	1	1634095						17
18	Nipple	1	711393						18
19	Clamp	2	521874						19
20	Copper Tubing (5/8 O.D. x 42L)	1	1306078						20
21	Tee	1	1624747						21
22	Bushing	1	1634400						22
23	Copper Tubing (3/8 O.D. x 22L)	1	1619085						23
24	Copper Tubing (1 2 O.D. x 88L)	1	1306077						24
25	Copper Tubing (1 2 O.D. x 33L)	1	1306077						25
26	Faucet	1	1699426						26
27	Adaptor	2	1634035						27
28	Nipple	1	5K-348						28
29	Elbow	1	43F-7						29
30	Copper Tubing (1/2 O.D. x 74L)	1	1619185						30
31	Elbow	1	1304021						31
32	Elbow and Unit	1	1699424						32
33	Elbow	1	1303998						33
34	Head	1	1699379						34
35	Water Tank	1	1634159						35
36	Elbow	2	26F-4G						36
37	Nipple	2	711393						37
38	Clamp	2	521874						38
39	Hose	AR	1638285						39
40	Clamp	2	521874						40

CC-139

287

January 1, 1968

CORTEZ DIVISION

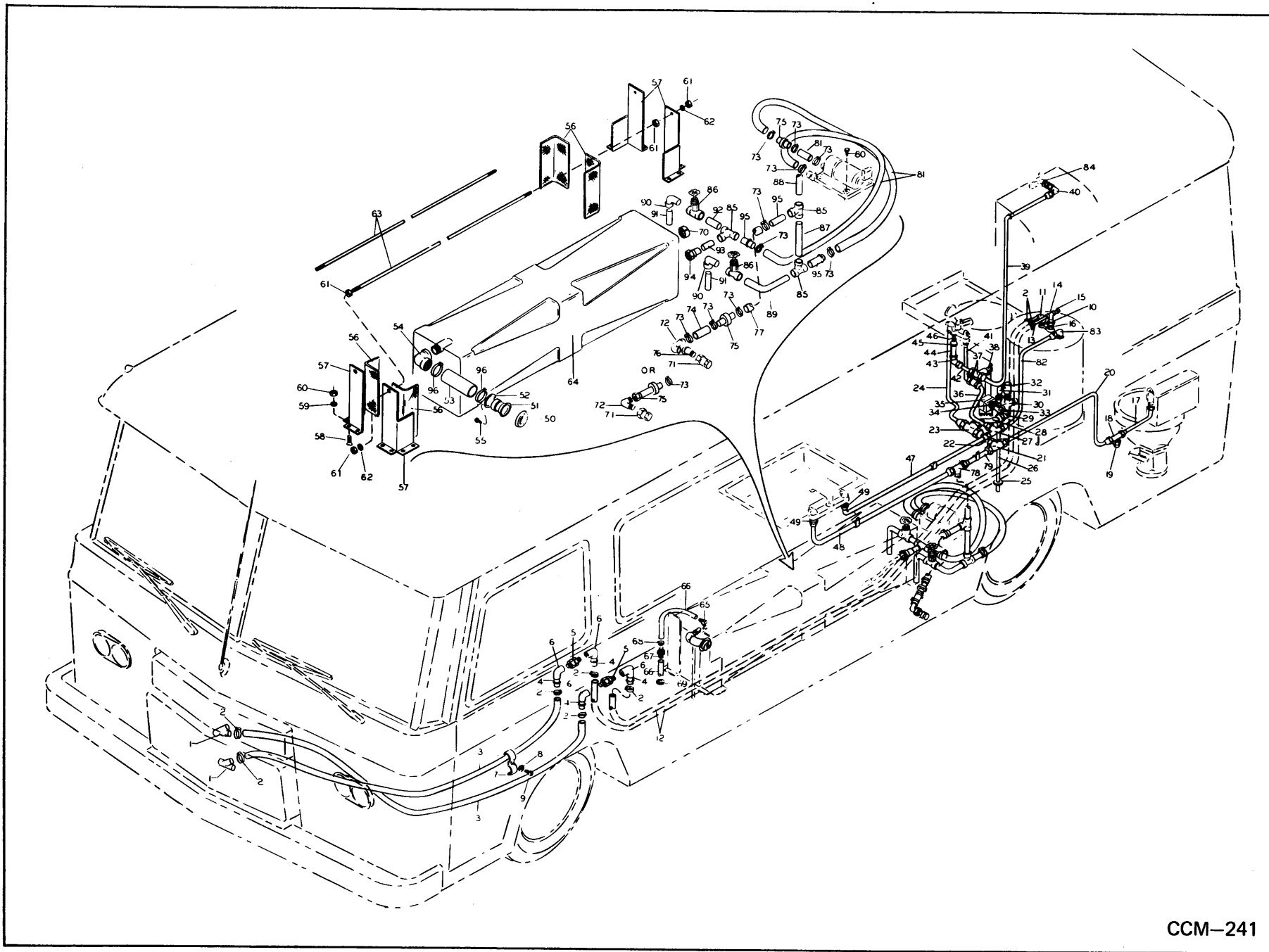
ITEM	WATER SYSTEM (CONT'D) (Use Illustration CCM-240)	REQUIRED	Serial No. 351-400						ITEM
	DESCRIPTION								
41	Nipple	1	711393						41
42	Nipple	1	655281						42
43	Nipple	1	1634211						43
44	Strainer	1	1634209						44
45	Fitting	1	1634210						45
46	Screw	2	3G-808J						46
47	Lockwasher	2	17E-08						47
48	Nut	2	12D-08						48
49	Tee	1	1306720						49
50	Cap	1	1306719						50
51	Copper Tubing (3/8 O.D. x 22L)	1	1306077						51

CC-139

288

January 1, 1968

# CORTEZ DIVISION



CCM-241

CC-139

290

January 1, 1968

ITEM	WATER SYSTEM (Use Illustration CCM-241)	REQUIRED	Serial No. 501-510						ITEM
	DESCRIPTION								
1	Fitting	2	1634191						1
2	Hose Clamp	8	521874						2
3	Hose—88"	2	889269						3
4	Nipple	2	1306078						4
5	Bulkhead Fitting	2	1306573						5
6	Elbow	2	1306577						6
7	Clamp	2	726220						7
8	Washer	2	664421						8
9	Screw	2	14G-1412						9
10	Male Adaptor	2	1307060						10
11	Elbow	1	1306793						11
12	Hose—16 ft. Long	2	889269						12
13	Tube—3"	1	1306078						13
14	Tee	1	1307063						14
15	Air Vent	1	1638297						15
16	Flush Bushing	1	1307062						16
17	Tube Assembly	1	1649339						17
18	Tee	1	1306720						18
19	Cap	1	1306719						19
20	Tube Assembly	1	1649333						20
21	Tee	1	1307064						21
22	Tube Assembly	1	1649330						22
23	Tee	1	1306761						23
24	Tube Assembly	1	1649332						24
25	Grommet	1	731610						25
26	Tube Assembly	1	1649334						26
27	Tee	1	1634483						27
28	Tube Assembly	1	1649331						28
29	Male Elbow	1	42F-9						29
30	Cross	1	1306118						30
31	Elbow	1	42F-8						31
32	Pressure Relief Valve	1	1654198						32
33	Elbow	1	774546						33
34	Reducer	1	19F-5						34
35	Pressure Switch	1	1654156						35
36	Tube Assembly	1	1649337						36
37	Tee	2	45F-8						37
38	Drain Valve	2	1307553						38
39	Tube Assembly	1	1651058						39

CORTEZ DIVISION

ITEM	WATER SYSTEM (CONT'D) (Use Illustration CCM-241)	REQUIRED	Serial No. 501-510	Serial No. 511-905					ITEM
	DESCRIPTION								
40	Elbow	1	1304021						40
41	Tube Assembly	1	1651057						41
42	Tube Assembly	1	1649336						42
43	Elbow	1	43F-7						43
44	Nipple 3/8"	1	1307132						44
45	Reducing Coupling	1	1307133						45
46	Nipple 1/4"	1	951843						46
47	Tube Assembly	1	1649338						47
48	Tube Assembly	1	1649328						48
49	Half Union	2	53K-5						49
50	Water Fill Cap	1	1644361						50
51	Filler Spout Assembly	1	1644356						51
52	Gasket	1	1644358						52
53	Flex Hose	1	1662337						53
54	Elbow	1	755354						54
55	Screw	2	5G-806						55
56	Webbing	AR	1306572						56
57	Bracket, Tank Mounting	4	1654166						57
58	Bracket Mounting Screw	18	839412						58
59	Bracket Mounting Washer	18	664421						59
60	Bracket Mounting Nut	18	26D-04						60
61	Nut	8	26D-04						61
62	Washer	4	664421						62
63	Rod	2	1308343						63
64	Fresh Water Tank	1	1633486						64
65	Elbow	1	666839						65
66	Drain Hose—22"	1	672405						66
67	Coupling and Screen	1	1649370						67
68	Hose Clamp	2	521874						68
69	Grommet	2	1010780						69
70	Cap	1	22F-5						70
71	Hose Fitting	1	1649324						71
72	Elbow—90°	1	43F-8	42F-9					72
73	Hose Clamp	10	521874						73
74	Hose—4"	1	1644334	Not Used					74
75	Check Valve	2	1644333						75
76	Elbow—45°	1	25F-4	Not Used					76
77	Hose—10"	1	1644334						77
78	Tee	1	45F-9						78

CORTEZ DIVISION



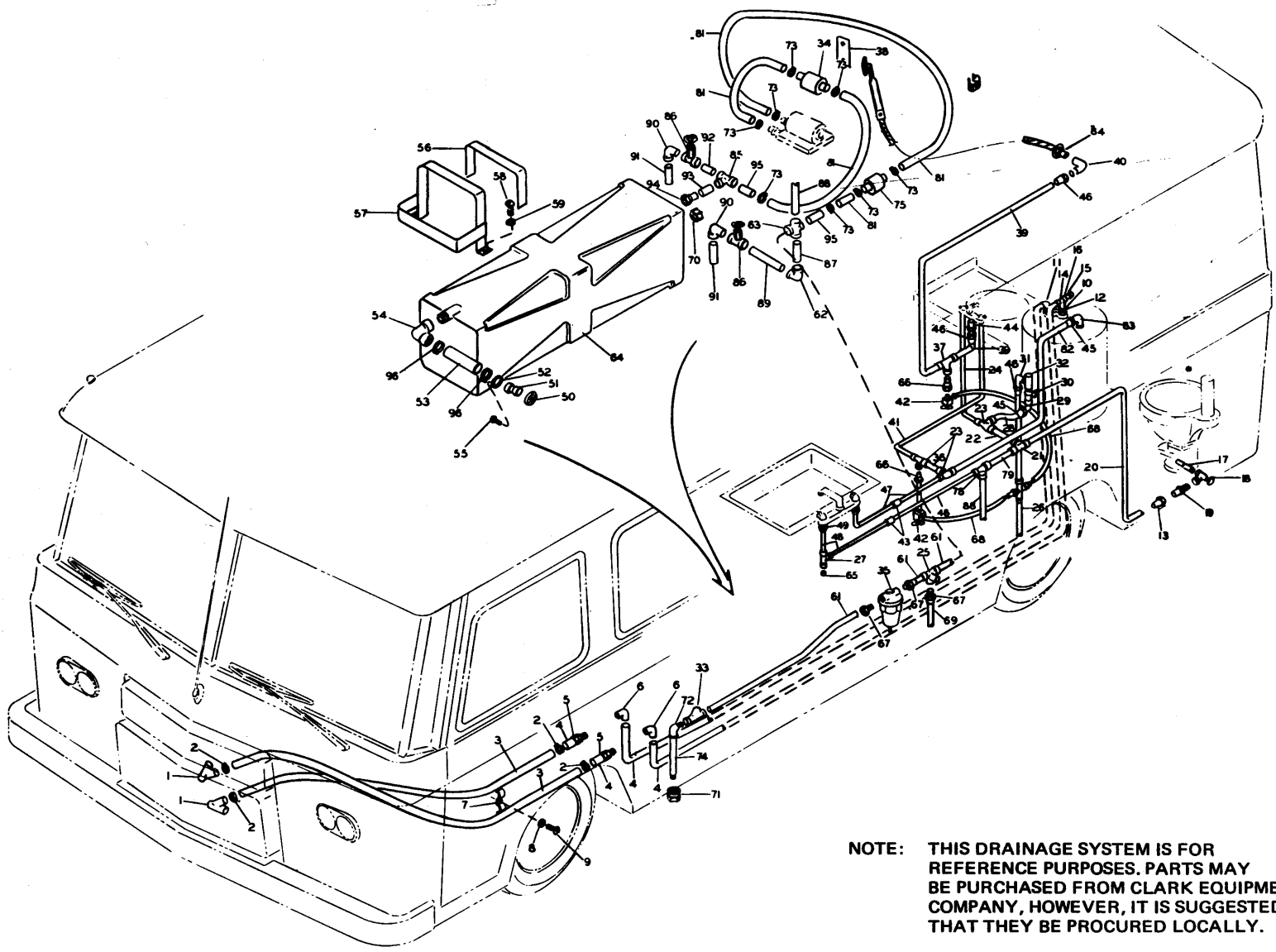
**CORTEZ DIVISION**

ITEM	WATER SYSTEM (CONT'D) (Use Illustration CCM-241)	REQUIRED	Serial No. 501-905						ITEM
	DESCRIPTION								
79	Tube Assembly	1	1649329						79
80	Pump Mounting Screw	4	1620366						80
81	Hose (Furnished w/Pump) 24" Long	2	894260						81
82	Tube Assembly	1	1649335						82
83	Elbow	1	43F-8						83
84	Elbow Assembly—Chrome	1	1699424						84
85	Tee	3	1307063						85
86	Gate Valve	2	1644308						86
87	Tube—9-1/2"	1	1306078						87
88	Tube—9-1 2"	1	1306078						88
89	Tube—12"	1	1306078						89
90	Elbow	2	1306577						90
91	Tube—5-1/4"	2	1306078						91
92	Tube—2"	1	1306078						92
93	Tube—1-1/2"	1	1306078						93
94	Female Adaptor	1	1308536						94
95	Tube—2"	3	1306078						95
96	Hose Clamp	2	879717						96

CC-139

293

January 1, 1966



NOTE: THIS DRAINAGE SYSTEM IS FOR REFERENCE PURPOSES. PARTS MAY BE PURCHASED FROM CLARK EQUIPMENT COMPANY, HOWEVER, IT IS SUGGESTED THAT THEY BE PROCURED LOCALLY.

WATER SYSTEM

CCM-242

ITEM	WATER SYSTEM (Use Illustration CCM-242)	REQUIRED	Serial No. 906-2200						ITEM
	DESCRIPTION								
1	Fitting	2	1634191						1
2	Hose Clamp	4	521874						2
3	Hose—88"	2	889269						3
4	Tube	AR	1306078						4
5	Bulkhead Fitting	2	1306573						5
6	Elbow	2	1305504						6
7	Clamp	2	726220						7
8	Washer	2	664421						8
9	Screw	2	14G-1412						9
10	Male Adaptor	2	1309694						10
11	Elbow	1	1306577						11
12	Connector	1	1307060						12
13	Nut	1	48F-7						13
14	Tee	1	1307063						14
15	Air Vent	1	1638297						15
16	Flush Bushing	1	1307062						16
17	Nipple	1	5K-480G						17
18	Valve	1	1678280						18
19	Male Half Union	1	507753						19
20	Tube	AR	1306077						20
21	Tee	1	1306073						21
22	Tube	AR	1306078						22
23	Tee	3	1309846						23
24	Tube	AR	1619085						24
25	Relief Valve	1	1673627						25
26	Tube	AR	1306077						26
27	Tee	1	1309862						27
28	Tube	AR	1306078						28
29	Male Elbow	1	42F-9						29
30	Tee	1	1309860						30
31	Elbow	1	940636						31
32	Pressure Relief Valve	1	1654198						32
33	Check Valve	1	1673611						33
34	Inline Strainer	1	1669336						34
35	Regulator Valve	1	1673626						35
36	Tube	AR	1306078						36
37	Tee	2	1306066						37
38	Bracket	1	1675765						38
39	Tube	AR	1306077						39

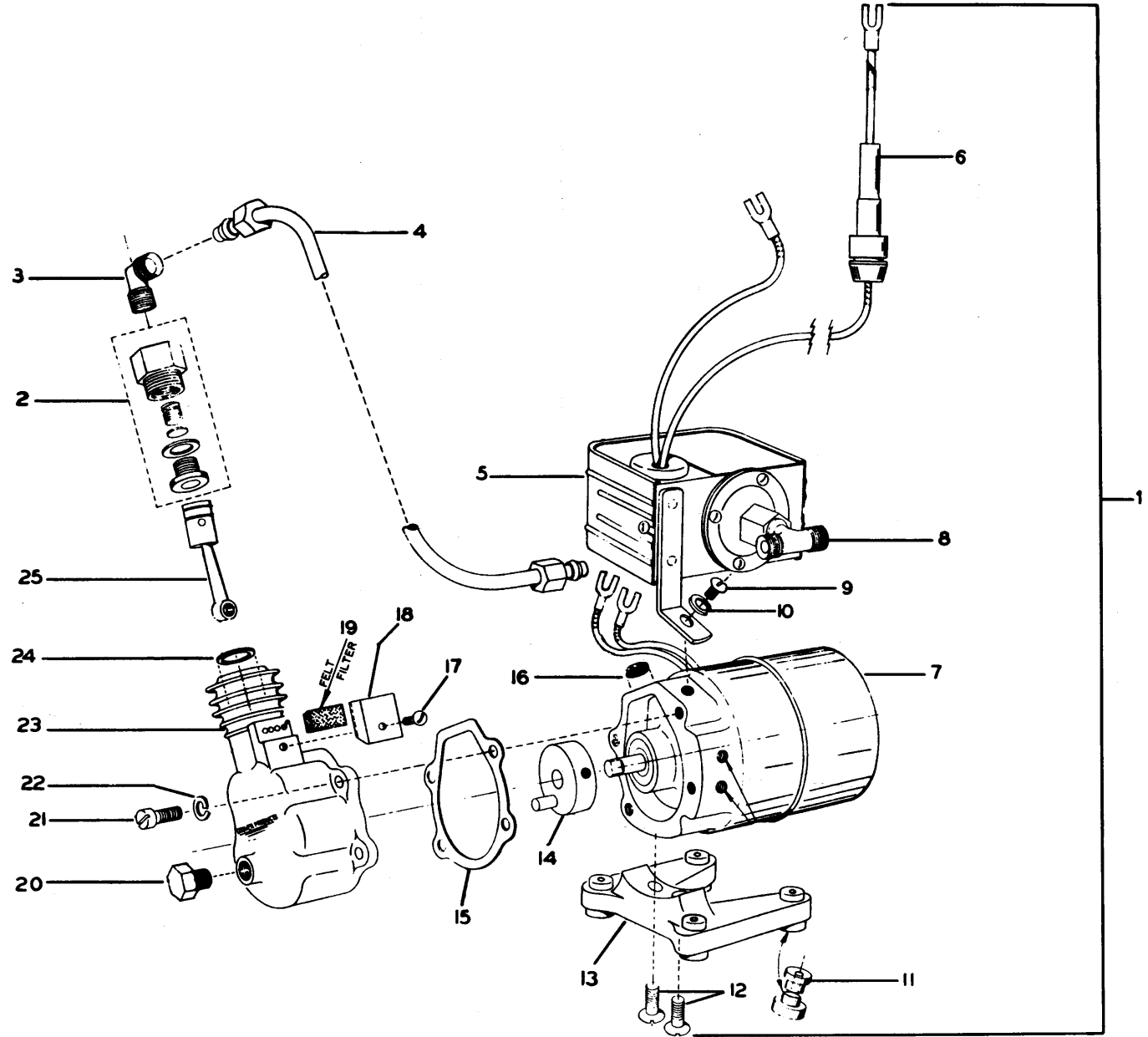
CORTEZ DIVISION

ITEM	WATER SYSTEM (CONT'D) (Use Illustration CCM-242)	REQUIRED	Serial No. 906-2200						ITEM
	DESCRIPTION								
40	Elbow	1	1306117						40
41	Tube	AR	1619085						41
42	Drain Cock	2	1307553						42
43	Coupling	2	1309864						43
44	Union	1	521429						44
45	Flare Nut	2	48F-8						45
46	Flare Nut	3	48F-7						46
47	Tube	AR	1619085						47
48	Tube	AR	1619085						48
49	Half Union	2	53K-5						49
50	Water Fill Cap	1	1644361						50
51	Filler Spout Assembly	1	1669182						51
52	Gasket	1	1670325						52
53	Flex Hose	1	1662337						53
54	Elbow	1	755354						54
55	Screw	2	5G-806						55
56	Webbing	AR	1306572						56
57	Bracket, Tank Mounting	2	1670373						57
58	Bracket Mounting Screw	8	1620366						58
59	Bracket Mounting Washer	8	664419						59
60	Core Board	AR	1675828						60
61	Tube	AR	1306078						61
62	Elbow	1	1306793						62
63	Cross	1	1307770						63
64	Fresh Water Tank	1	1633486						64
65	Plug	1	1311044						65
66	Adaptor	2	1309847						66
67	Adaptor	3	1306069						67
68	Hose	AR	662392						68
69	Tube	AR	1306078						69
70	Cap	1	22F-5						70
71	Hose Fitting	1	1649324						71
72	Elbow—90°	1	43F-8						72
73	Hose Clamp	10	521874						73
74	Nipple	1	5K-488						74
75	Check Valve	1	1644333						75
76	Bushing	2	1311045						76
77	Cross	1	1311043						77
78	Tee	1	1309846						78

CORTEZ DIVISION

ITEM	WATER SYSTEM (CONT'D) (Use Illustration CCM-242)	REQUIRED	Serial No. 906-2200						ITEM
	DESCRIPTION								
79	Tube	AR	1306078						79
80	Pump Mounting Screw	4	1620366						80
81	Hose	AR	1644334						81
82	Tube	AR	1306078						82
83	Elbow	1	42F-8						83
84	Locknut	1	1620392						84
85	Tee	1	1307063						85
86	Gate Valve	2	1644308						86
87	Tube	AR	1306078						87
88	Tube	AR	1306078						88
89	Tube—12"	1	1306078						89
90	Elbow	2	1306577						90
91	Tube—5-1/4"	2	1306078						91
92	Tube—2"	1	1306078						92
93	Union	1	1309694						93
94	Female Adaptor	1	1308536						94
95	Tube—2"	2	1306078						95
96	Hose Clamp	2	879717						96

CORTEZ DIVISION



AIR COMPRESSOR PUMP

CCM-243

CORTEZ DIVISION

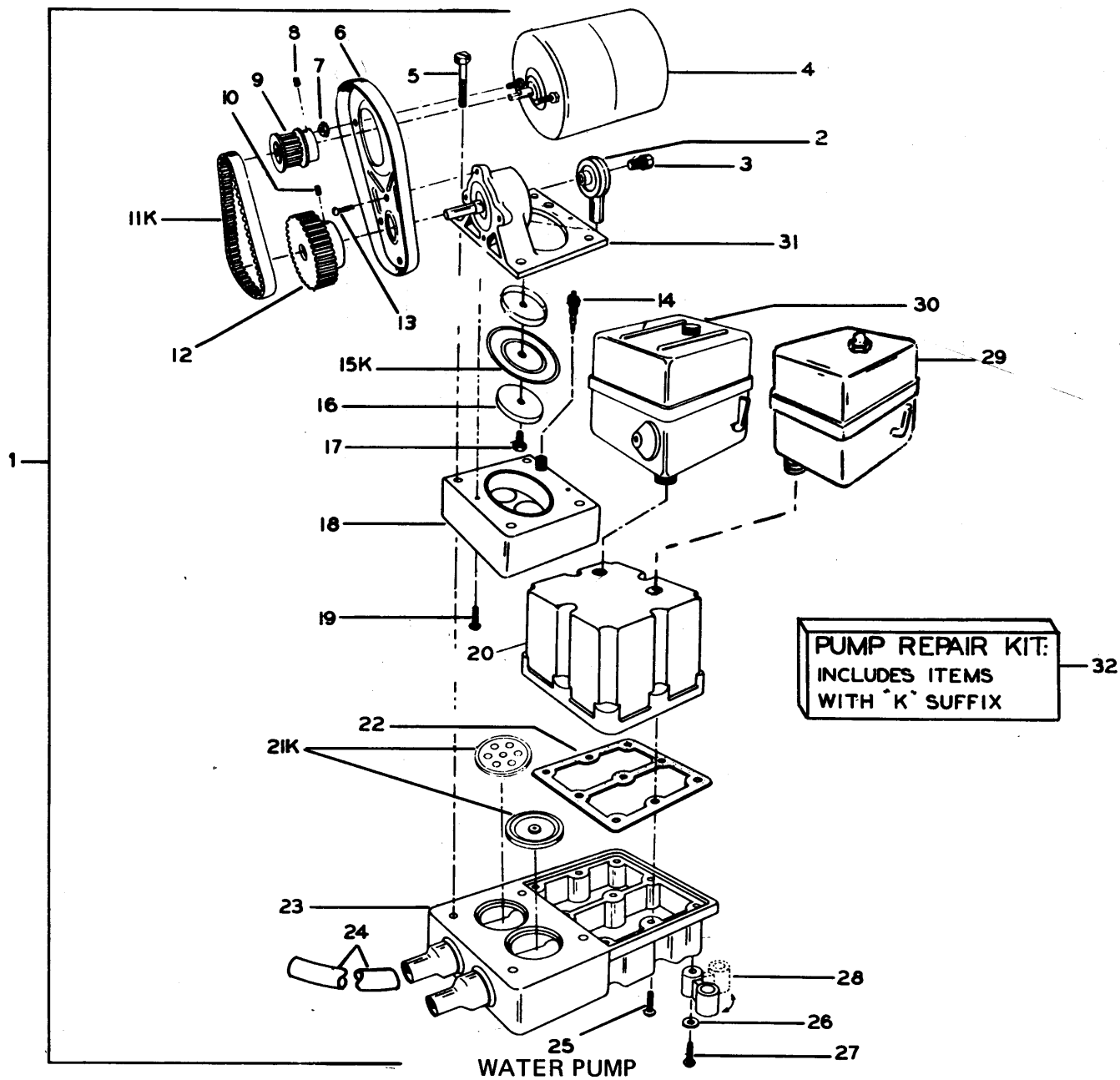
ITEM	AIR COMPRESSOR PUMP (Use Illustration CCM-243)	REQUIRED	Serial No. 1-200						ITEM
	DESCRIPTION								
1	Air Compressor Complete	1	-1699487						1
2	Head Assembly	1	894167						2
3	Check Valve Elbow	1	894168						3
4	Tube Assembly	1	894169						4
5	Pressure Switch	1	894170						5
6	Fuse Holder w/20 Amp Fuse	1	894171						6
7	Motor—12 Volt	1	894172						7
8	Tee	1	894173						8
9	Screw	1	COMM.						9
10	Lockwasher	1	COMM.						10
11	Grommet	4	894174						11
12	Screw	2	COMM.						12
13	Base	1	***						13
14	Crankshaft	1	894175						14
15	Gasket	1	894176						15
16	Screen	1	894177						16
17	Screw	1	COMM.						17
18	Retainer	1	***						18
19	Filter	1	894178						19
20	Plug	1	COMM.						20
21	Screw	4	COMM.						21
22	Lockwasher	4	COMM.						22
23	Housing	1	***						23
24	Gasket	1	894179						24
25	Piston and Rod	1	894180						25
26	Check Valve, In-Link (Not Shown)	1	894181						26

\*\*\* NOT CARRIED IN STOCK.

CC-139

299

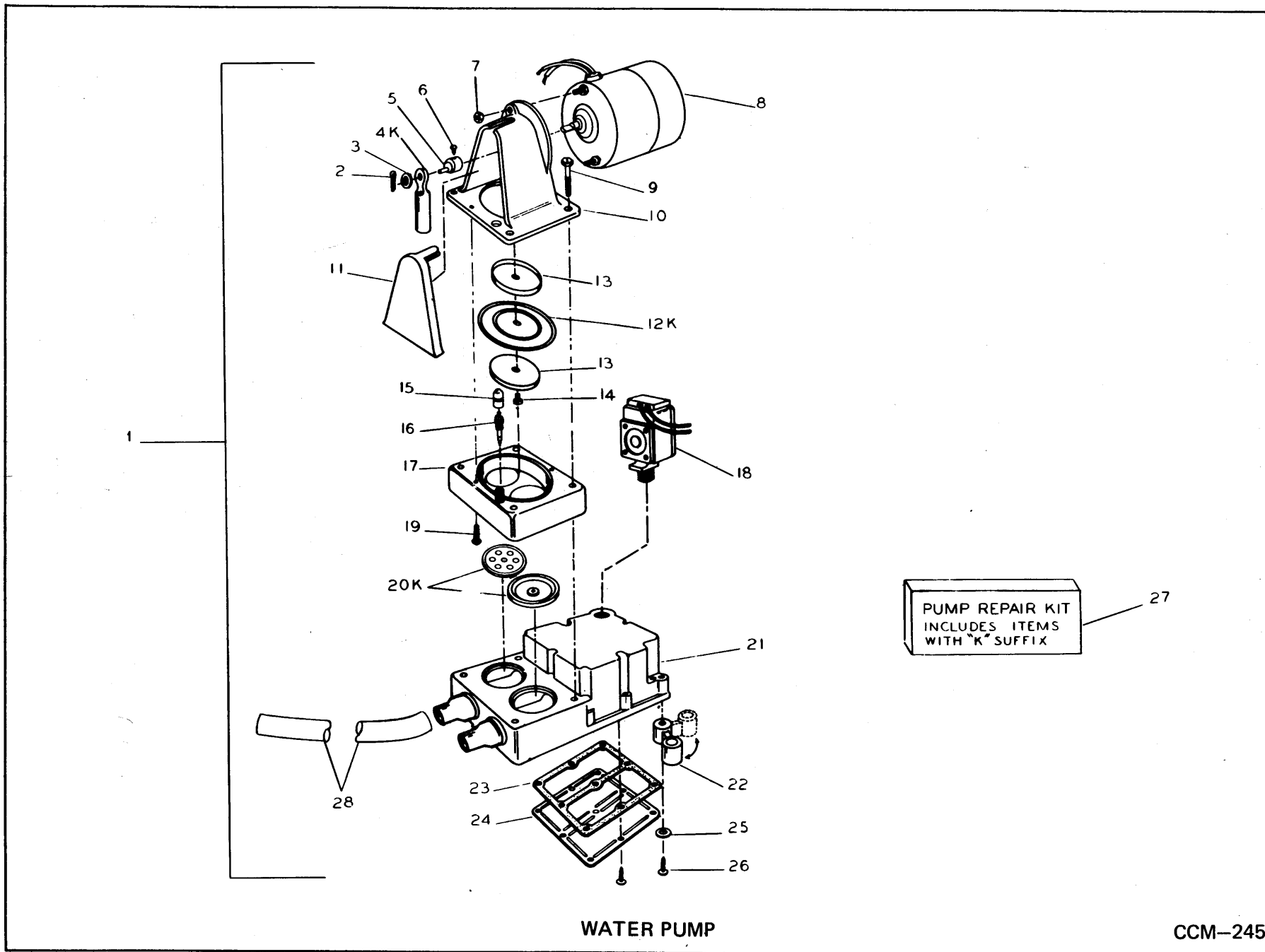
January 1, 1968





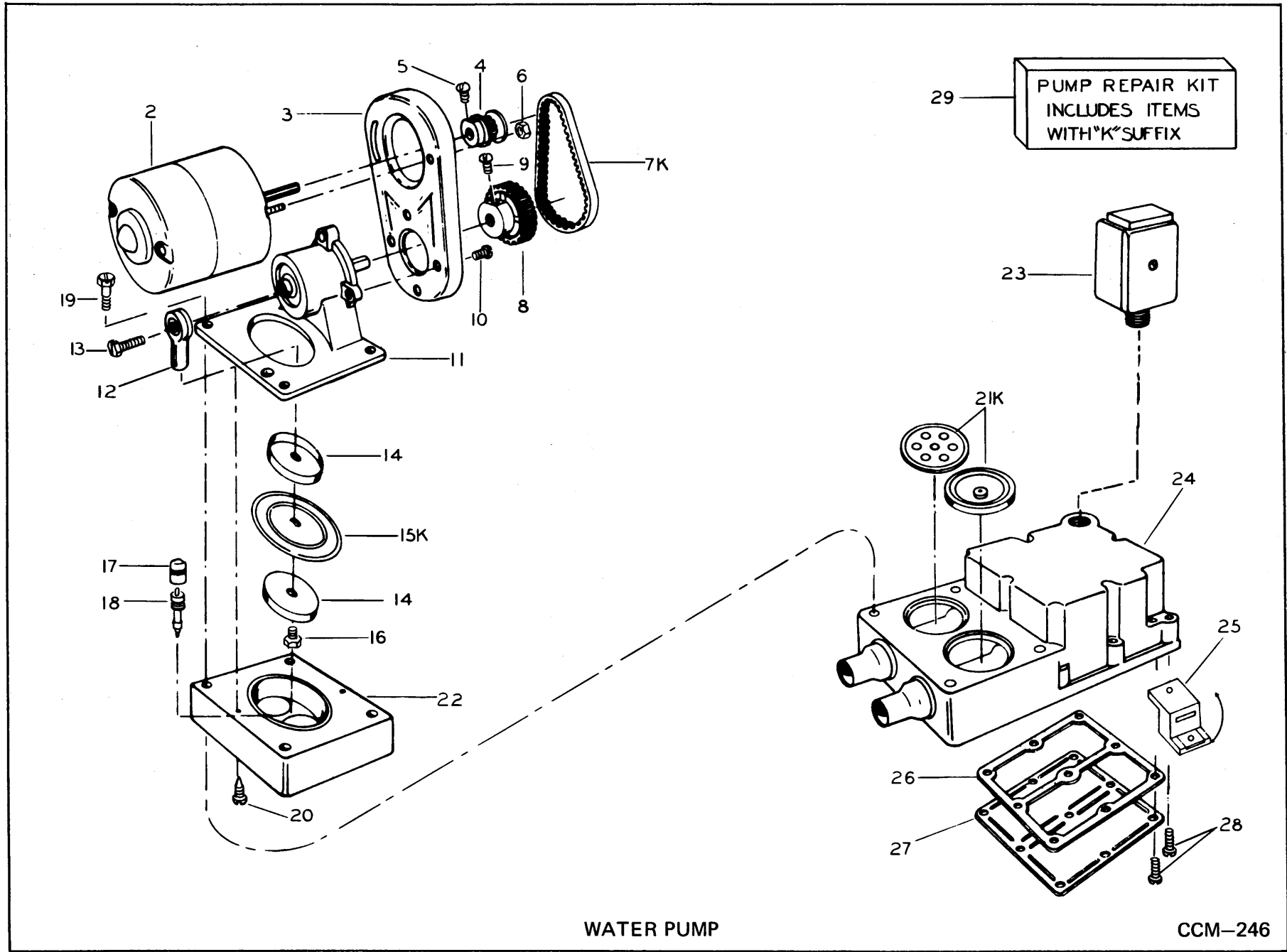
ITEM	WATER PUMP (Use Illustration CCM-244)	REQUIRED	Serial No. 201-500						ITEM
	DESCRIPTION								
1	Pump Assembly Complete	1	1633483						1
2	Connecting Rod	1	894253						2
3	Connecting Rod Screw	1	45G-1210J						3
4	Motor—12 Volt	1	894254						4
5	Bolt	4	47G-428J						5
6	Motor Mount	1	***						6
7	Motor Mount Nut	2	14D-10J						7
8	Setscrew	1	31G-406J						8
9	Pulley	1	***						9
10	Setscrew	1	3G-1006J						10
11	Belt	1	894255						11
12	Pulley	1	***						12
13	Screw	4	3G-1006J						13
14	Snifter Core	1	***						14
15	Diaphragm (Ref: Item 32)	1	N.S.S.						15
16	Diaphragm Plate	2	894256						16
17	Diaphragm Plate Screw	1	894257						17
18	Diaphragm Ring	1	894258						18
19	Screw	4	612844						19
20	Surge Chamber	1	894854						20
21	Valve Assembly (Ref: Item 32)	1	N.S.S.						21
22	Gasket	1	894259						22
23	Base	1	894853						23
24	Hose—24"	2	894260						24
25	Screw	4	79G-1018J						25
26	Washer	4	866587						26
27	Screw	4	612844						27
28	Mount	4	894261						28
29	Dry Cut-Off Switch	1	894262						29
30	Pressure Switch	1	894263						30
31	Jack Shaft Assembly	1	***						31
32	Pump Repair Kit	1	894264						32
33	In-Line Check Valve (Furnished w/Pump)	1	1634-15						33
	*** PARTS NOT CARRIED IN STOCK								

CORTIZ DIVISION



WATER PUMP

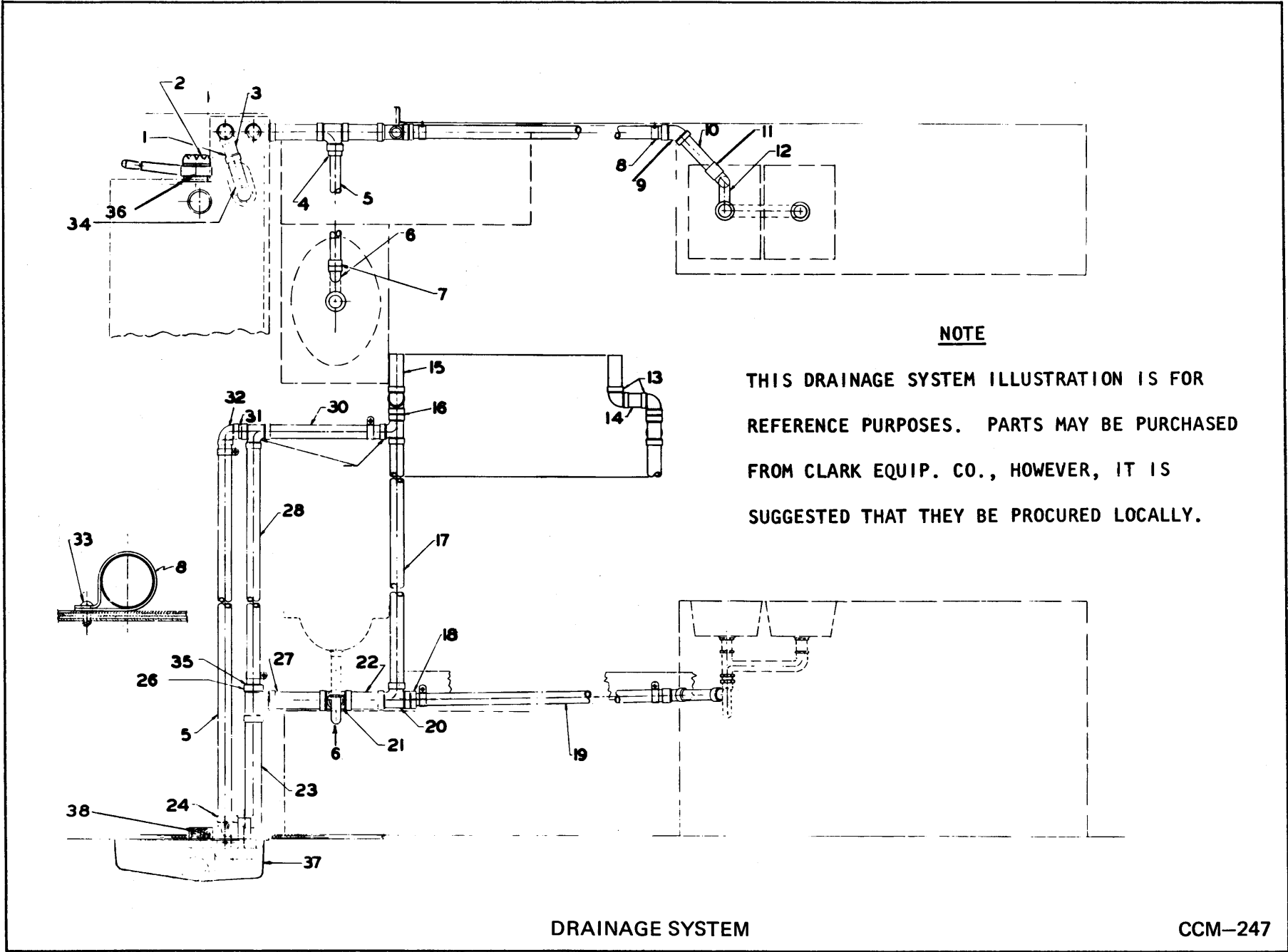
ITEM	WATER PUMP (Use Illustration CCM-245)	REQUIRED	Serial No. 501-905						ITEM
	DESCRIPTION								
1	Water Pump Assembly (Includes Items 2 thru 28)	1	1638384						1
2	Cotter	1	896320						2
3	Washer	1	866587						3
4	Connecting Rod (Ref: Item 27)	1	N.S.S.						4
5	Eccentric	1	896321						5
6	Eccentric Screw	1	3G-804J						6
7	Motor Nut	2	14D-10J						7
8	Motor	1	w/14E-10 896322						8
9	Tie-Down Screw	4	47G-428J						9
10	Motor Mount	1	***						10
11	Cover	1	896323						11
12	Diaphragm (Ref: Item 27)	1	N.S.S.						12
13	Diaphragm Plate	2	894256						13
14	Screw	1	896324						14
15	Sniffer Cap	1	***						15
17	Sniffer Core	1	***						16
17	Diaphragm Ring	1	894258						17
18	Pressure Switch	1	896325						18
19	Screw	2	612844						19
20	Valve Assembly (Ref: Item 27)	2	N.S.S.						20
21	Base Assembly	1	896326						21
22	Vibration Pad	4	894261						22
23	Gasket	1	896327						23
24	Bottom Plate	1	896328						24
25	Washer	8	866587						25
26	Screw	13	612844						26
27	Pump Repair Kit (Includes Items 4, 12 and 20)	1	896329						27
28	Hose—24"	2	894260						28
*** PARTS NOT CARRIED IN STOCK									



WATER PUMP

CCM-246

ITEM	WATER PUMP (Use Illustration CCM-246)	REQUIRED	Serial No. 906-2200						ITEM
	DESCRIPTION								
1	Water Pump Assembly (Includes Items 2 thru 28)	1	1672221						1
2	Motor	1	896322						2
3	Motor Mount	1	***						3
4	Motor Pulley	1	***						4
5	Setscrew	1	31G-406J						5
6	Motor Nut	2	14D-10J						6
	Lockwasher	2	14E-10						
7	Drive Belt (Ref: Item 29)	1	N.S.S.						7
8	Pulley	1	898753						8
9	Setscrew	1	3G-1006J						9
10	Screw	4	3G-1006J						10
11	Jack Shaft Assembly	1	898754						11
12	Connecting Rod Assembly	1	898755						12
13	Connecting Rod Screw	1	11G-416						13
14	Diaphragm Plate	2	894256						14
15	Diaphragm (Ref: Item 29)		N.S.S.						15
16	Screw	1	894257						16
17	Snifter Cap	1	***						17
18	Snifter Core	1	***						18
19	Tie Down Screw	4	47G-428J						19
20	Screw	2	612844						20
21	Valve Assembly (Ref: Item 29)	1	N.S.S.						21
22	Diaphragm Ring	1	894258						22
23	Pressure Switch	1	898756						23
24	Base Assembly	1	896326						24
25	Vibration Pad	4	898757						25
26	Gasket	1	896327						26
27	Bottom Plate	1	896328						27
28	Screw	13	612844						28
29	Pump Repair Kit (Includes Items 7, 15 and 21)	1	898758						29
	*** PARTS NOT CARRIED IN STOCK								



NOTE

THIS DRAINAGE SYSTEM ILLUSTRATION IS FOR REFERENCE PURPOSES. PARTS MAY BE PURCHASED FROM CLARK EQUIP. CO., HOWEVER, IT IS SUGGESTED THAT THEY BE PROCURED LOCALLY.

DRAINAGE SYSTEM

CCM-247

CC-139

306

January 1, 1968

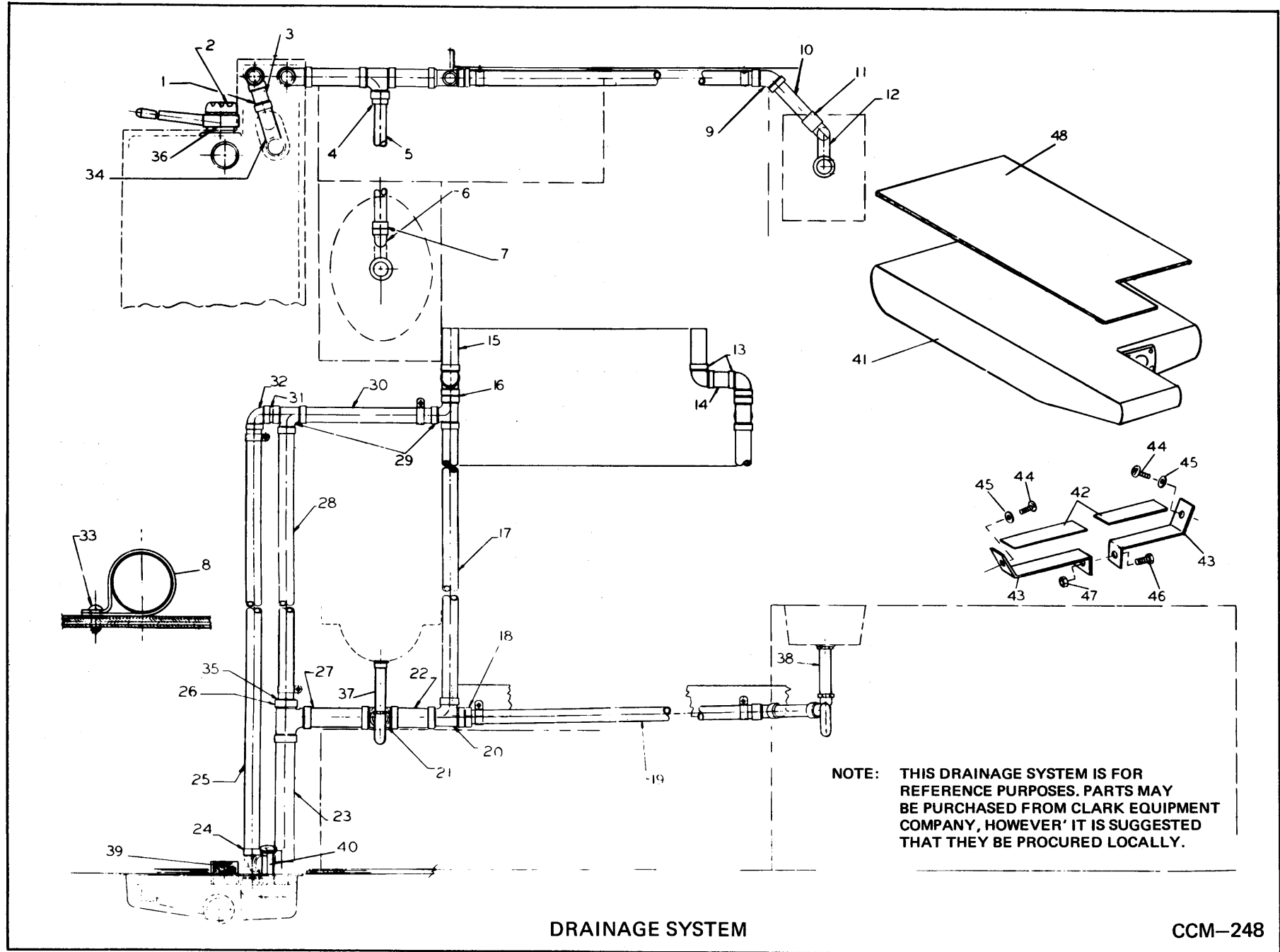
CORTEZ DIVISION

ITEM	DRAINAGE SYSTEM (Use Illustration CCM-247)	REQUIRED	Serial No. 1-200	Serial No. 201-350 401-500					ITEM
	DESCRIPTION								
1	Adaptor	1	1623814						1
2	Dump Valve	1	1699415						2
3	Plastic Draining Pipe	1	1623805						3
4	Bushing	1	1623820						4
5	Pipe	1	1623812						5
6	"P" Trap	1	1699453						6
7	Adaptor	1	1623813						7
8	Clamp	5	628823						8
9	Pipe Elbow	1	23F-8						9
10	Nipple	1	5K-1256						10
11	Coupling	1	75F-8						11
12	"P" Trap	1	1699455						12
13	90° Elbow	2	1623821						13
14	Pipe	1	1623823						14
15	Pipe	1	1623806						15
16	Nipple	1	1623804						16
17	Pipe	1	1623809						17
18	Female Adaptor	1	1629269						18
19	Pipe	1	1305773						19
20	Tee	1	1623817						20
21	Tee	1	1623816						21
22	Pipe	1	1623801						22
23	Pipe	1	1623803						23
24	Tee	1	1623817						24
25	Pipe	1	1623811						25
26	Tee	1	1623815						26
27	Pipe	1	1623802						27
28	Pipe	1	1623810						28
29	Tee	2	1623818						29
30	Pipe	1	1623807						30
31	Nipple	1	1623804						31
32	Elbow	1	1623821						32
33	Screw	5	58G-1412						33
34	"P" Trap	1	1617111						34
35	Flush Bushing	1	1623819						35
36	Dump Valve Adaptor	1	1305809						36
37	Holding Tank	1	1699371	1634077					37
38	Nipple	1	5K-2421						38

CC-139

307

January 1, 1968



CORTEZ DIVISION

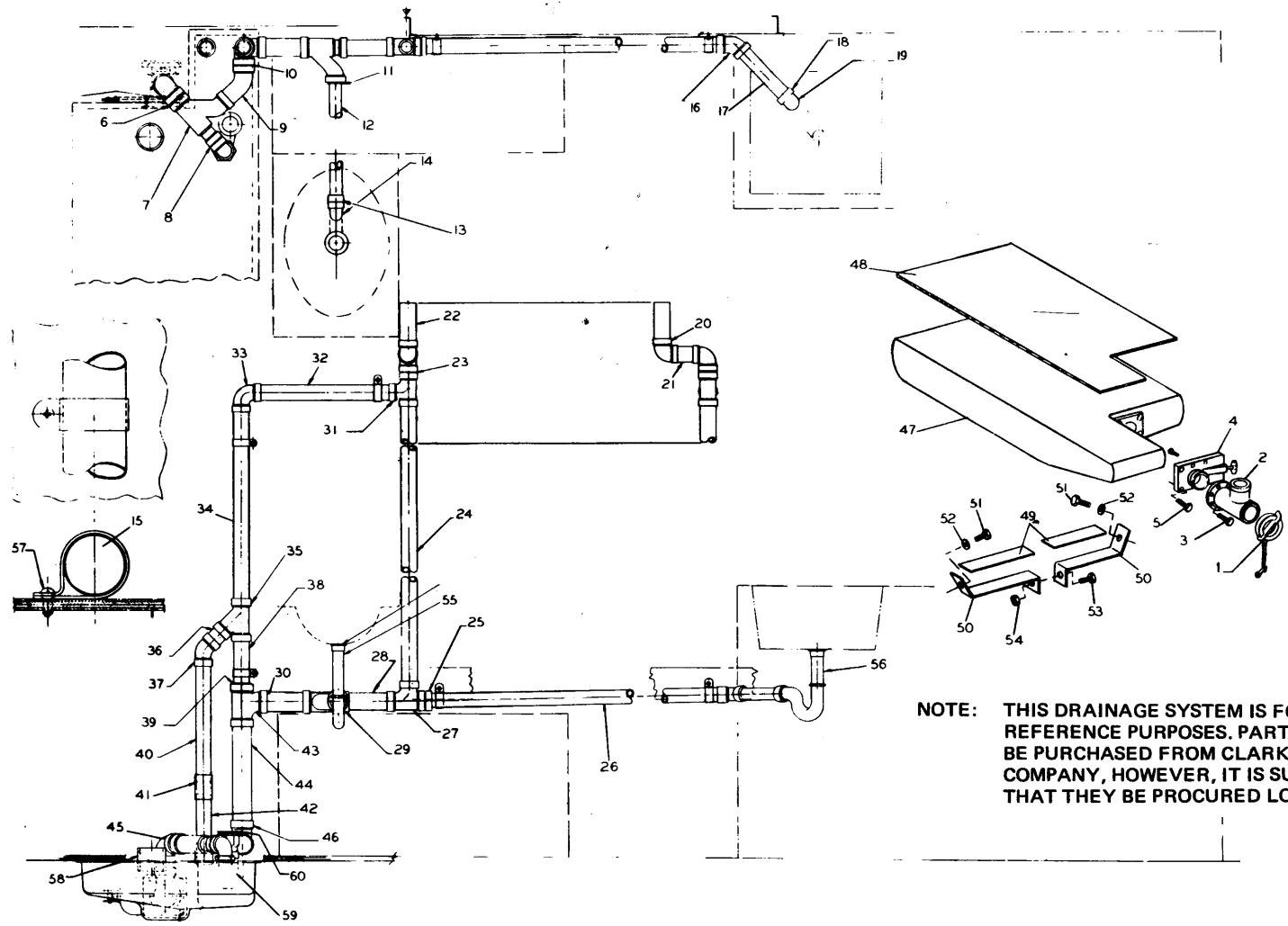
DRAINAGE SYSTEM

CCM-248



ITEM	DRAINAGE SYSTEM (Use Illustration CCM-248)	REQUIRED	Serial No. 351-400						ITEM
	DESCRIPTION								
1	Adaptor	1	1623814						1
2	Dump Valve	1	1699415						2
3	Pipe (1-1/2 x 3-1/2 L)	1	1634168						3
4	Bushing	1	1623820						4
5	Pipe	1	1634181						5
6	"P" Trap (Lavatory)	1	1699453						6
7	Adaptor	1	1623813						7
8	Clamp	5	628823						8
9	Pipe Elbow	1	23F-8						9
10	Nipple	1	5K-1280						10
11	Coupling	1	75F-8						11
12	"P" Trap (Kitchen Sink)	1	1634204						12
13	90° Elbow	2	1623821						13
14	Pipe (1-1/2 x 3 L)	1	1623823						14
15	Pipe (1-1/2 x 6-3/4 L)	1	1623806						15
16	Nipple	1	1623804						16
17	Pipe (1-1/2 x 41-1/2 L)	1	1634173						17
18	Female Adaptor	1	1629269						18
19	Pipe (1-1/2 x 40' L)	1	1305773						19
20	Tee	1	1623817						20
21	Tee	1	1623816						21
22	Pipe (2 x 6 L)	1	1634180						22
23	Pipe (2 x 18-7/8 L)	1	1634177						23
24	Tee	1	1623817						24
25	Pipe (1-1/2 x 62-3/8 L)	1	1634166						25
26	Tee	1	1623815						26
27	Pipe (2 x 10-5/8 L)	1	1623802						27
28	Pipe (1-1/2 x 41-3/8 L)	1	1634167						28
29	Tee	2	1623818						29
30	Pipe (1-1/2 x 21 L)	1	1634169						30
31	Nipple	1	1623804						31
32	Elbow	1	1623821						32
33	Screw	5	58G-1412						33
34	"P" Trap (Shower Pan Comp.)	1	1617111						34
35	Flush Bushing	1	1623819						35
36	Dump Valve Adaptor	1	1305809						36
37	Tail Piece—Lavatory	1	1623848						37
38	Tail Piece—Kitchen	1	1634205						38
39	Nipple	1	5K-2432						39

ITEM	DRAINAGE SYSTEM (CONT'D) (Use Illustration CCM-248)	REQUIRED	Serial No. 351-400						ITEM
	DESCRIPTION								
40	Shower Pan Drain Strainer and Tail Piece	1	1628346						40
41	Holding Tank	1	1634105						41
42	Belting	AR	659682						42
43	Strap	8	1623899						43
44	Bolt	8	1C-512						44
45	Washer	8	664422						45
46	Bolt	4	799545						46
47	Nut	4	2D-06						47
48	Foam Padding—Holding Tank	1	1651048						48



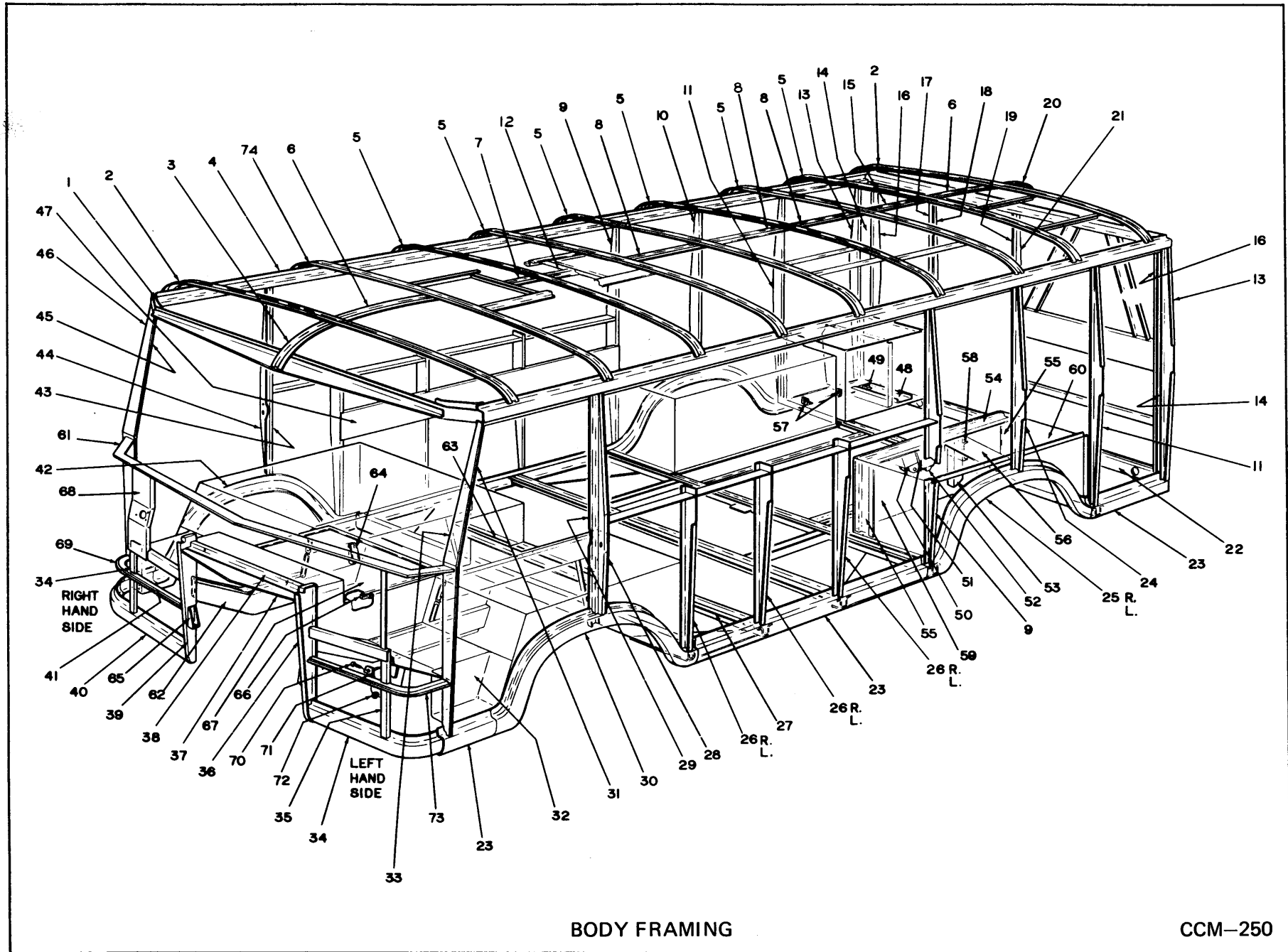
NOTE: THIS DRAINAGE SYSTEM IS FOR REFERENCE PURPOSES. PARTS MAY BE PURCHASED FROM CLARK EQUIPMENT COMPANY, HOWEVER, IT IS SUGGESTED THAT THEY BE PROCURED LOCALLY.

DRAINAGE SYSTEM

CCM-249

ITEM	DRAINAGE SYSTEM (Use Illustration CCM-249)	REQUIRED	Serial No.	Serial No.				ITEM
	DESCRIPTION		501-905	906-2200				
1	Collector Cap	1	1651065					1
2	Collector	1	1651066					2
3	Screw	3	65G-816					3
4	Sewage Tank Valve	1	1651064					4
5	Valve Mounting Screw	4	61G-0416					5
6	Pipe (2" x 1-3/4 L)	1	1307577					6
7	Pipe (2 x 1-1/2 x 2 L.T. T-Y)	1	1307570					7
8	Pipe (1-1/2 x 1-1/2 L)	1	1307576					8
9	Elbow	1	1307569					9
10	Pipe (2 x 1-3/4 L)	1	1307577					10
11	Bushing	1	1623820					11
12	Pipe (1-1/4 x 19 L)	1	1307581					12
13	Adaptor	1	1623813					13
14	"P" Trap	1	1699453					14
15	Clamp	5	628823	6H-23				15
16	Pipe Elbow	1	23F-8G					16
17	Nipple	1	5K-1256G					17
18	Coupling	1	75F-8					18
19	"P" Trap	1	1634204					19
20	Elbow	2	1623821					20
21	Pipe (1-1/2 x 3 L)	1	1307576					21
22	Pipe (1-1/2 x 6-3/4 L)	1	1307576					22
23	Pipe (1-1/2 x 1-1/2 L)	1	1307576					23
24	Pipe (1-1/2 x 42 L)	1	1307576					24
25	Female Adaptor	1	1629269					25
26	Pipe (1-1/2 x 40)	1	1305773					26
27	Tee	1	1623818					27
28	Pipe (1-1/2 x 7 L)	1	1307576					28
29	Pipe (2 x 1-1/2 x 11-1/2 L.T. T-Y)	1	1307573					29
30	Pipe (2 x 8-1/4 L)	1	1307577					30
31	Tee	1	1623818					31
32	Pipe (1-1/2 x 20-5/8 L)	1	1307576					32
33	Elbow	1	1623821					33
34	Pipe (1-1/2 x 20 L)	1	1307576					34
35	"Y" Branch	1	1307572					35
36	Pipe (1-1/2 x 2-5/8 L)	1	1307576					36
37	Elbow	1	1623822					37
38	Pipe (1-1/2 x 18 L)	1	1307576					38
39	Bushing	1	1623819					39
40	Pipe (1-1/2 x 27-1/2 L)	1	1307576					40

ITEM	DRAINAGE SYSTEM (CONT'D) (Use Illustration CCM-249)	REQUIRED	Serial No.	Serial No.					ITEM
	DESCRIPTION		501-905	906-2200					
41	Adaptor	1	1307566						41
42	Pipe (1-1/2 x 8 L)	1	1307576						42
43	Tee	1	1623815						43
44	Pipe (2 x 13-1/2 L)	1	1307577						44
45	Elbow	1	1307571						45
46	Elbow	1	1307568						46
47	Holding Tank	1	1651060	1671196					47
48	Foam Padding—Holding Tank	1	1651048						48
49	Belting	AR	659682						49
50	Strap	8	1623899	1669461					50
51	Bolt	8	1C-512	665175					51
52	Washer	8	664422						52
53	Bolt	4	799545	Not Used					53
54	Nut	4	2D-06	Not Used					54
55	Tail Piece—Lavatory	1	1623848	1675731					55
56	Tail Piece—Kitchen	1	1660665						56
57	Screw	5	58G-1412						57
58	Nipple	1	5K-2432						58
59	Shower Pan "P" Trap	1	1651067						59
60	Shower Pan Drain Strain and Tail Piece	1	1628346						60



CORTEZ DIVISION

BODY FRAMING

CCM-250

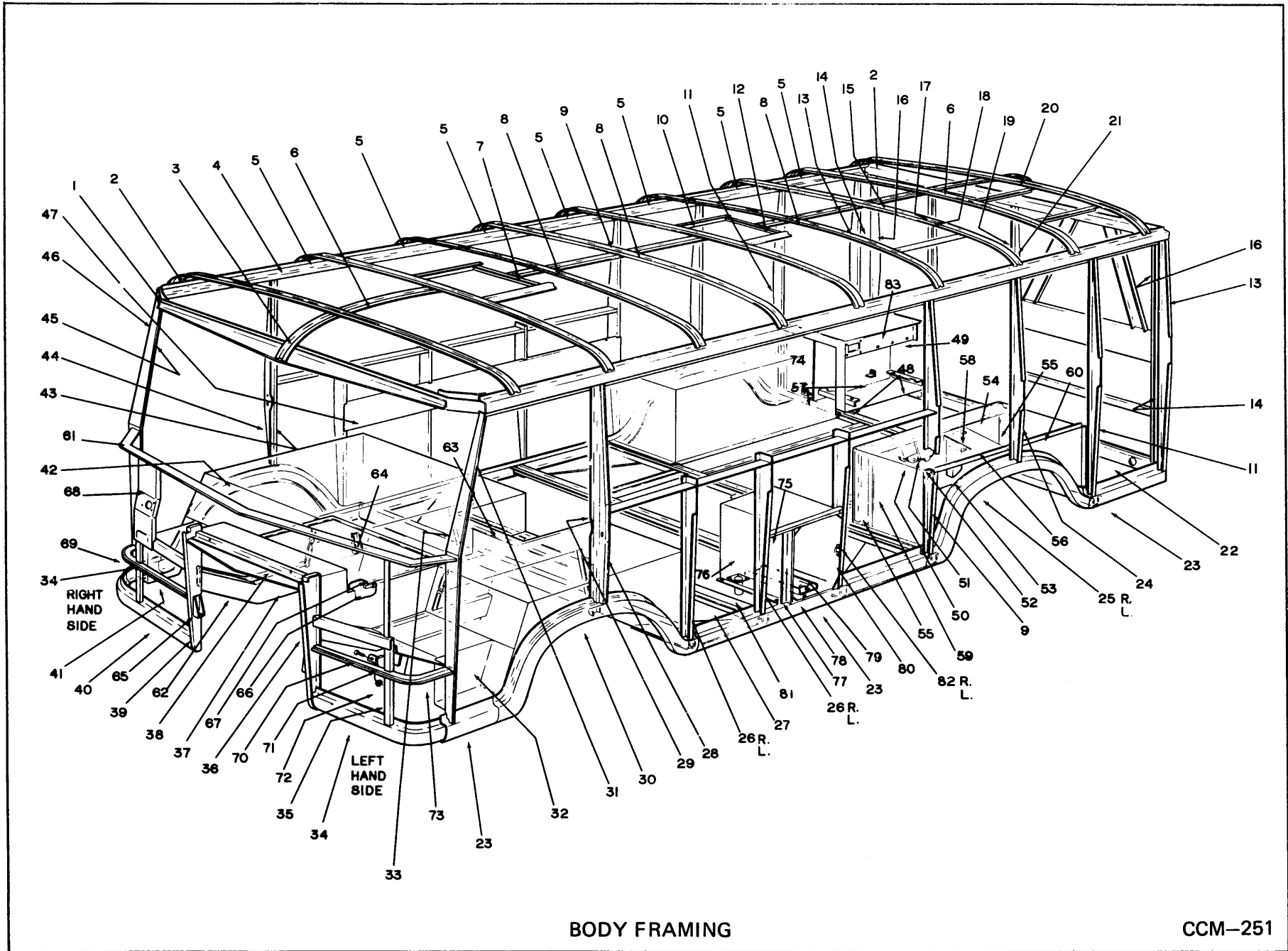
ITEM	BODY FRAMING (Use Illustration CCM-250)	REQUIRED	Serial No. 1-350 401-905	Serial No. 906-2200					ITEM
	DESCRIPTION								
1	Front Interior Roof Cap—L.H.	1	1698405						1
	Front Interior Roof Cap—R.H.	1	1698406						2
2	Front Roof Bow	2	1698442						3
3	Front Roof Center Strainer	1	1698457	1667166					4
4	Roof Support Frame	4	1698446						5
5	Roof Bow	7	1698441						6
6	Center Roof Strainer	2	1698455						7
7	Center Roof Strainer	1	1698454						8
8	Center Roof Strainer	3	1698453						9
9	Side Post	1	1698368						10
10	Side Post, Rear Wheel R.H.	1	1698371						11
11	Side Post	1	1698367						12
12	Center Roof Strainer	1	1698452	1673402					13
13	Rear Side Post	1	1698382						14
14	Rear Corner Post Reinforcement	2	1698480						15
15	Center Roof Strainer	1	1698450						16
16	Rear End Corner Post	2	1698479						17
17	Reinforcement	1	1629011						18
18	Pillar Reinforcement—R.H.	1	1629013						19
19	Pillar Reinforcement—L.H.	1	1629012						20
20	Strainer	1	1698458						21
21	Door Opening Reinforcement—L.H.	1	1634447						22
22	Reinforcement Assembly	1	1629055	1673331					23
23	Lower Side Rail (Front)	2	1638315						24
	Lower Side Rail (Center)	2	1692797						25
	Lower Side Rail (Rear)	2	1698529						26
24	Rear Wheel Side Post—L.H.	1	1698370						27
25	Rear Wheel Frame—R.H.	1	1698381						28
	Rear Wheel Frame—L.H.	1	1698373						29
26	Side Post Under Window—R.H.	2	1698303						30
	Side Post Under Window—L.H.	2	1698302						31
27	Cross Sill	1	1698369						32
28	Post Reinforcement	1	1698579						33
29	Lock Pillar—L.H.	1	1629231						34
30	Wheel Frame Front—L.H.	1	1698372						35
31	Side Post Reinforcement	1	1634443						36
32	Step Front—L.H.	1	1629002						37
33	Door Post	1	1634428						
34	Rail	1	1698335						
35	Radiator Post Reinforcement	1	1698620						
36	Radiator Post—L.H.	1	1698338						
37	Radiator Top Member	1	1698348						

CORTEZ DIVISION

ITEM	BODY FRAMING (CONT'D) (Use Illustration CCM-250)	REQUIRED	Serial No. 1-350 401-905	Serial No. 906-2200					ITEM
	DESCRIPTION								
38	Radiator Opening Reinforcement	1	1698569						38
39	Radiator Post—R.H.	1	1698337						39
40	Rail	1	1698340						40
41	Step Front—R.H.	1	1629003						41
42	Front Wheel Frame—R.H.	1	1698380						42
43	Reinforcement	1	1698576						43
44	Lock Pillar—R.H.	1	1629230						44
45	Door Post—R.H.	1	1634427						45
46	Post Reinforcement	1	1698325	1634442					46
47	Table Channel Reinforcement	1	1633447	1634383					47
48	Bracket, L. P. G. Tank Mounting	1	1634299						48
49	L. P. G. Tank Hold-Down Clip	1	1634305						49
50	Bracket, Upper Shock Mounting—Rear	2	***						50
51	Spring Seat Support	2	***						51
52	Spring Seat	2	***						52
53	Suspension Stop	2	***						53
54	Wheel Housing Top Reinforcement	2	***						54
55	Wheel Housing End Reinforcement	2	***						55
56	Wheel Housing Brace	2	***						56
57	Battery Hold-Down Clip	1	1634023						57
58	Suspension Stop Brace	2	***						58
59	Wheel Housing Side Panel	2	***						59
60	Wheel Housing Top Panel	2	***						60
61	Windshield Ledge	1	***						61
62	Longitudinal Member—R.H.	1	***						62
	Longitudinal Member—L.H.	1	***						
63	Engine Cradle Rear Cross Member	1	***						63
64	Engine Cradle Center Mount	2	***						64
65	Engine Cradle Front Mount	2	***						65
66	Engine Compartment Seal	3	1616317						66
67	Engine Cover	1	***						67
68	Wiper Motor Support	1	***						68
69	Front End Seal Assembly—R.H.	1	***						69
70	Pitman Arm Stop Bolt	2	1305959						70
71	Bracket, Pitman Arm Stop	1	***						71
72	Pitman Arm Stop Bolt Nut	2	1D-08						72
73	Front End Seal Assembly—L.H.	1	***						73
74	Roof Bow	1		1667170					74
	*** PARTS NOT CARRIED IN STOCK								

CORTEZ DIVISION





CORTEZ DIVISION

BODY FRAMING

CCM-251

ITEM	BODY FRAMING (Use Illustration CCM-251)	REQUIRED	Serial No. 351-400						ITEM
	DESCRIPTION								
1	Front Interior Roof Cap—L.H.	1	1698405						1
	Front Interior Roof Cap—R.H.	1	1698406						
2	Front Roof Bow	2	1698442						2
3	Front Roof Center Strainer	1	1698457						3
4	Roof Support Frame	4	1698446						4
5	Roof Bow	7	1698441						5
6	Center Roof Strainer	2	1698455						6
7	Center Roof Strainer	1	1698454						7
8	Center Roof Strainer	3	1698453						8
9	Side Post	1	1698368						9
10	Side Post, Rear Wheel R.H.	1	1698371						10
11	Side Post	1	1698367						11
12	Center Roof Strainer	1	1698452						12
13	Rear Side Post	1	1698382						13
14	Rear Corner Post Reinforcement	2	1698480						14
15	Center Roof Strainer	1	1698450						15
16	Rear End Corner Post	2	1698479						16
17	Reinforcement	1	1629011						17
18	Pillar Reinforcement—R.H.	1	1629013						18
19	Pillar Reinforcement—L.H.	1	1629012						19
20	Strainer	1	1698458						20
21	Door Opening Reinforcement—L.H.	1	1634447						21
22	Reinforcement Assembly	1	1629055						22
23	Lower Side Rail	1	1698528						23
24	Rear Wheel Side Post—L.H.	1	1698370						24
25	Rear Wheel Frame—R.H.	1	1698381						25
	Rear Wheel Frame—L.H.	1	1698373						
26	Side Post Under Window—R.H.	2	1698303						26
	Side Post Under Window—L.H.	2	1698302						
27	Cross Sill	1	1698369						27
28	Post Reinforcement	1	1698579						28
29	Lock Pillar—L.H.	1	1629231						29
30	Wheel Frame Front—L.H.	1	1698372						30
31	Side Post Reinforcement	1	1634443						31
32	Step Front—L.H.	1	1629002						32
33	Door Post	1	1634428						33
34	Rail	1	1698335						34
35	Radiator Post Reinforcement	1	1698620						35
36	Radiator Post—L.H.	1	1698338						36

CORTEZ DIVISION

ITEM	BODY FRAMING (CONT'D) (Use Illustration CCM-251)	REQUIRED	Serial No. 351-400						ITEM
	DESCRIPTION								
37	Radiator Top Member	1	1698348						37
38	Radiator Opening Reinforcement	1	1698569						38
39	Radiator Post—R.H.	1	1698337						39
40	Rail	1	1698340						40
41	Step Front—R.H.	1	1629003						41
42	Front Wheel Frame—R.H.	1	1698380						42
43	Reinforcement	1	1698576						43
44	Lock Pillar—R.H.	1	1629230						44
45	Door Post—R.H.	1	1634427						45
46	Post Reinforcement	1	1698325						46
47	Table Channel Reinforcement	1	1633447						47
48	Bracket, Heater Compartment Angle	1	***						48
49	Heater Compartment Front Panel	1	***						49
50	Bracket, Upper Shock Mounting—Rear	1	***						50
51	Spring Seat Support	2	***						51
52	Spring Seat	2	***						52
53	Suspension Stop	2	***						53
54	Wheel Housing Top Reinforcement	2	***						54
55	Wheel Housing End Reinforcement	2	***						55
56	Wheel Housing Brace	2	***						56
57	Battery Hold-Down Clip	1	1634023						57
58	Suspension Stop Brace	2	***						58
59	Wheel Housing Side Panel	2	***						59
60	Wheel Housing Top Panel	2	***						60
61	Windshield Ledge	1	***						61
62	Longitudinal Member—R.H.	1	***						62
	Longitudinal Member—L.H.	1	***						
63	Engine Cradle Rear Cross Member	1	***						63
64	Engine Cradle Center Mount	2	***						64
65	Engine Cradle Front Mount	2	***						65
66	Engine Compartment Seal	3	1616317						66
67	Engine Cover	1	***						67
68	Wiper Motor Support	1	***						68
69	Front End Seal Assembly—R.H.	1	***						69
70	Pitman Arm Stop Bolt	2	1305959						70
71	Bracket, Pitman Arm Stop	1	***						71
72	Pitman Arm Stop Bolt Nut	2	1D-08						72
73	Front End Seal Assembly—L.H.	1	***						73
74	Battery Compartment Back Panel	1	***						74
75	L. P. G. Compartment Header	1	1634195						75

CORTEZ DIVISION

CORTEZ DIVISION

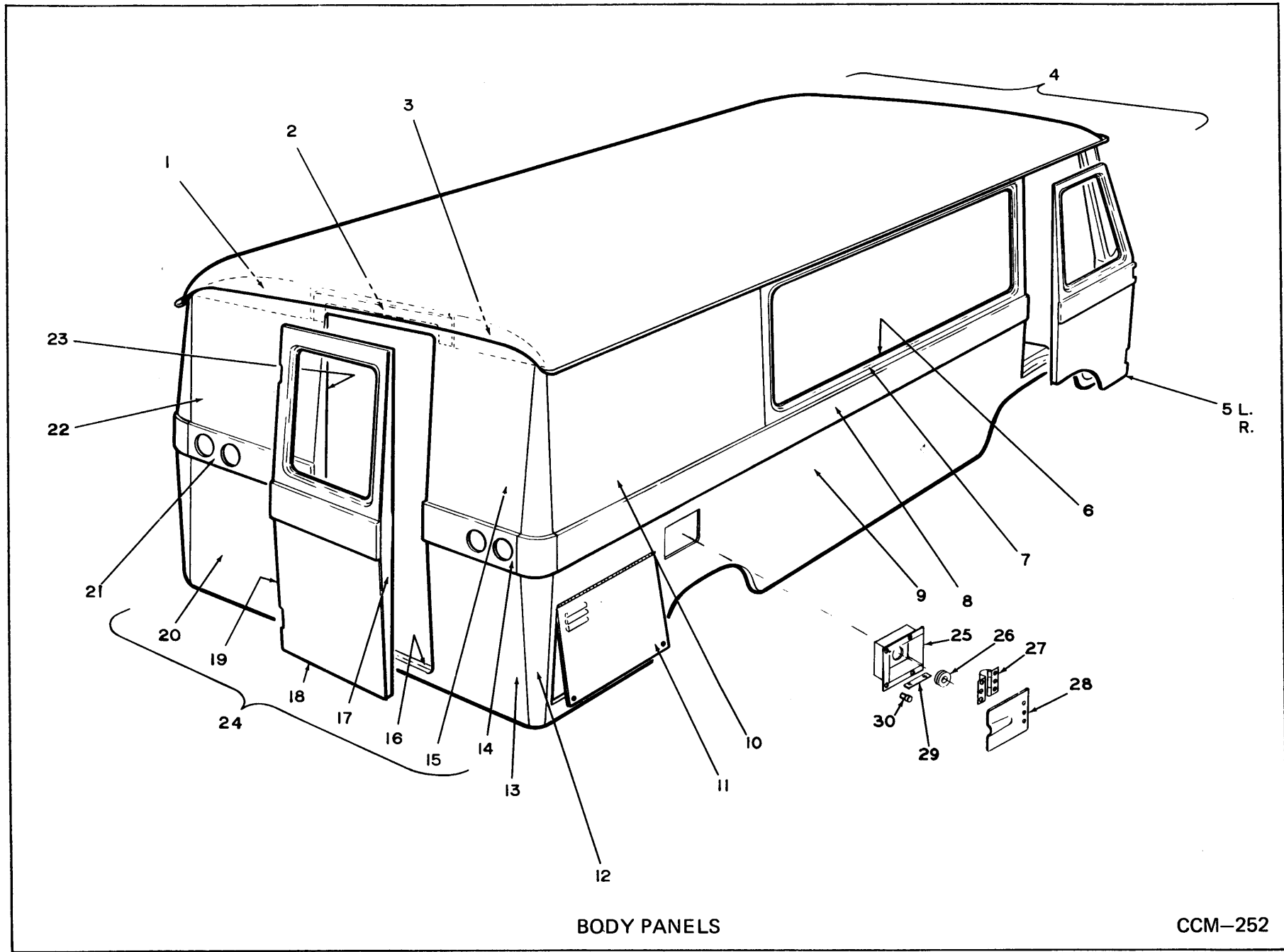
ITEM	BODY FRAMING (CONT'D) (Use Illustration CCM-251)	REQUIRED	Serial No. 351-400						ITEM
	DESCRIPTION								
76	L. P. G. Tank Compartment Complete	1	1634295						76
77	L. P. G. Compartment Spacer	1	1634196						77
78	L. P. G. Tank Support	1	1634299						78
79	"J" Bolt Clip	1	1634305						79
80	Door Latch Keeper	1	1634094						80
81	L. P. G. Compartment Vent	1	1634302						81
82	Side Post Under Window—L.H.	1	1634303						82
	Side Post Under Window—R.H.	1	1698303						
83	Interior Battery & Heater Compartment	1	***						83
	*** PARTS NOT CARRIED IN STOCK								

CC-139

323

January 1, 1968

CORTEZ DIVISION



CC-139

324

January 1, 1968

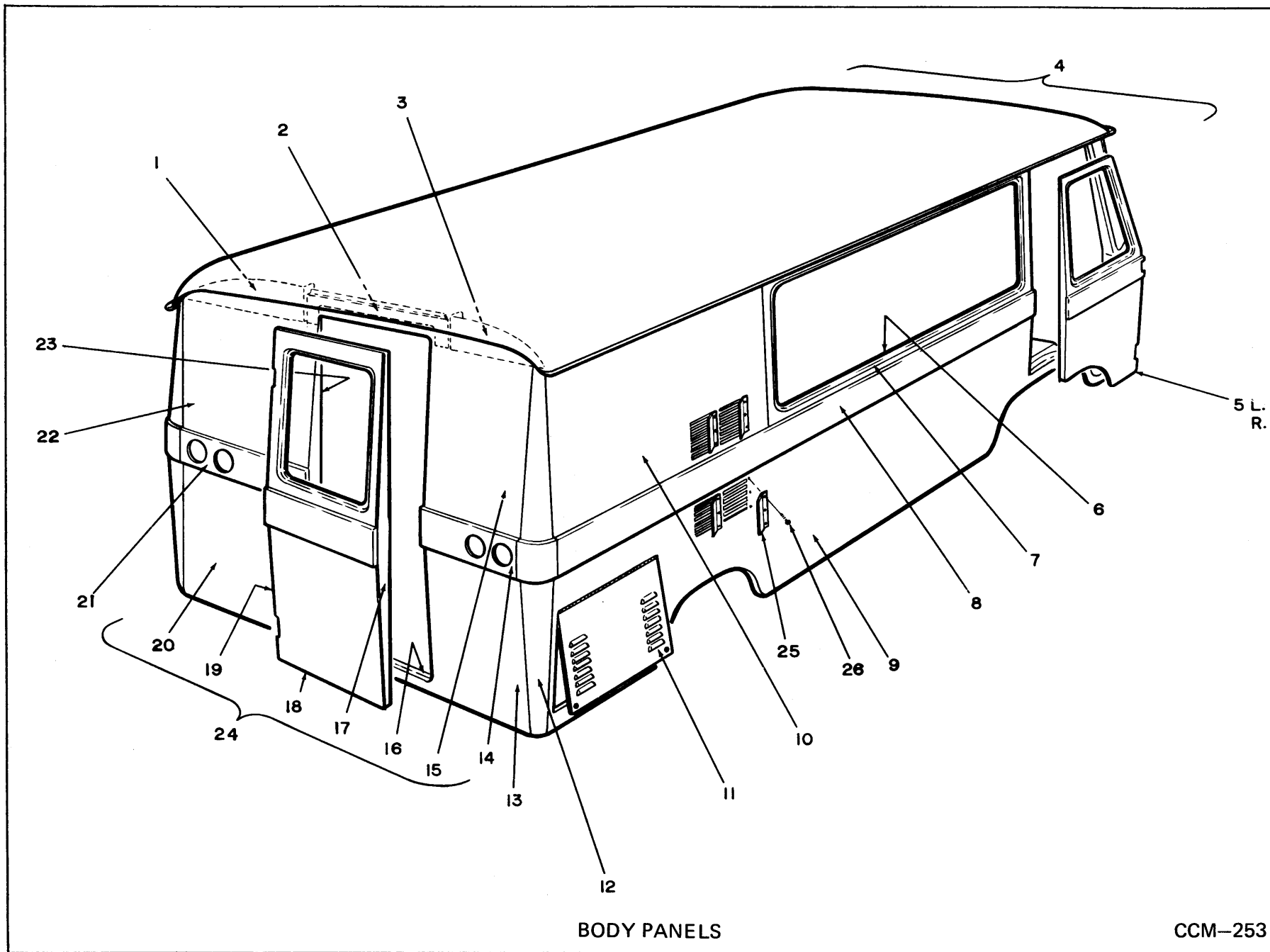
BODY PANELS

CCM-252

ITEM	BODY—PANELS (Use Illustration CCM-252)	REQUIRED	Serial No. 351-400						ITEM
	DESCRIPTION								
1	Rear Upper Extension Panel—L.H.	1	1698399						1
2	Interior Rear Door Header	1	1698617						2
3	Rear Upper Extension Panel—R.H.	1	1698398						3
4	Front End Assembly	1	1633493						4
5	Side Door—R.H.	1	1633492						5
	Side Door—L.H.	1	1634437						
6	Instrument Side Window Panel—R.H.	1	1698535						6
7	Side Window Panel—R.H.	1	1698505						7
8	Right Side Belt Panel	1	1698514						8
9	Lower Extension Side Panel—R.H.	1	1631384						9
10	Upper Rear Panel—R.H.	1	1698512						10
11	Battery Compartment Door	1	1633444						11
12	Rear Extension Corner Panel	1	1698385						12
13	Rear End Lower Panel—R.H.	1	1698389						13
14	Rear End Belt Panel—R.H.	1	1698387						14
15	Upper Rear Panel—R.H.	1	1698392						15
16	Threshold Rear End Bottom Rail Support	1	1698770						16
17	Rear Door Lock Pillar	1	1629236						17
18	Rear Door	1	1634433						18
19	Rear End Door Post—L.H.	1	1634429						19
20	Rear End Lower Panel—L.H.	1	1698390						20
21	Rear End Belt Panel—L.H.	1	1698388						21
22	Upper Rear Panel—L.H.	1	1698394						22
23	Rear Door Opening Interior Trim	1	1698471						23
24	Rear End Assembly	1	1634430						24
25	Gas Filler Box	1	1698784						25
26	Gas Filler Neck Grommet	1	337076						26
27	Filler Box Door Hinge	1	1620318						27
28	Filler Box Door	1	1698666						28
29	Gasoline Plate	1	1620302						29
30	Door Bumper (Rubber)	2	1634448						30

CORTEZ DIVISION

# CORTEZ DIVISION



CC-139

326

January 1, 1968

# CORTEZ DIVISION

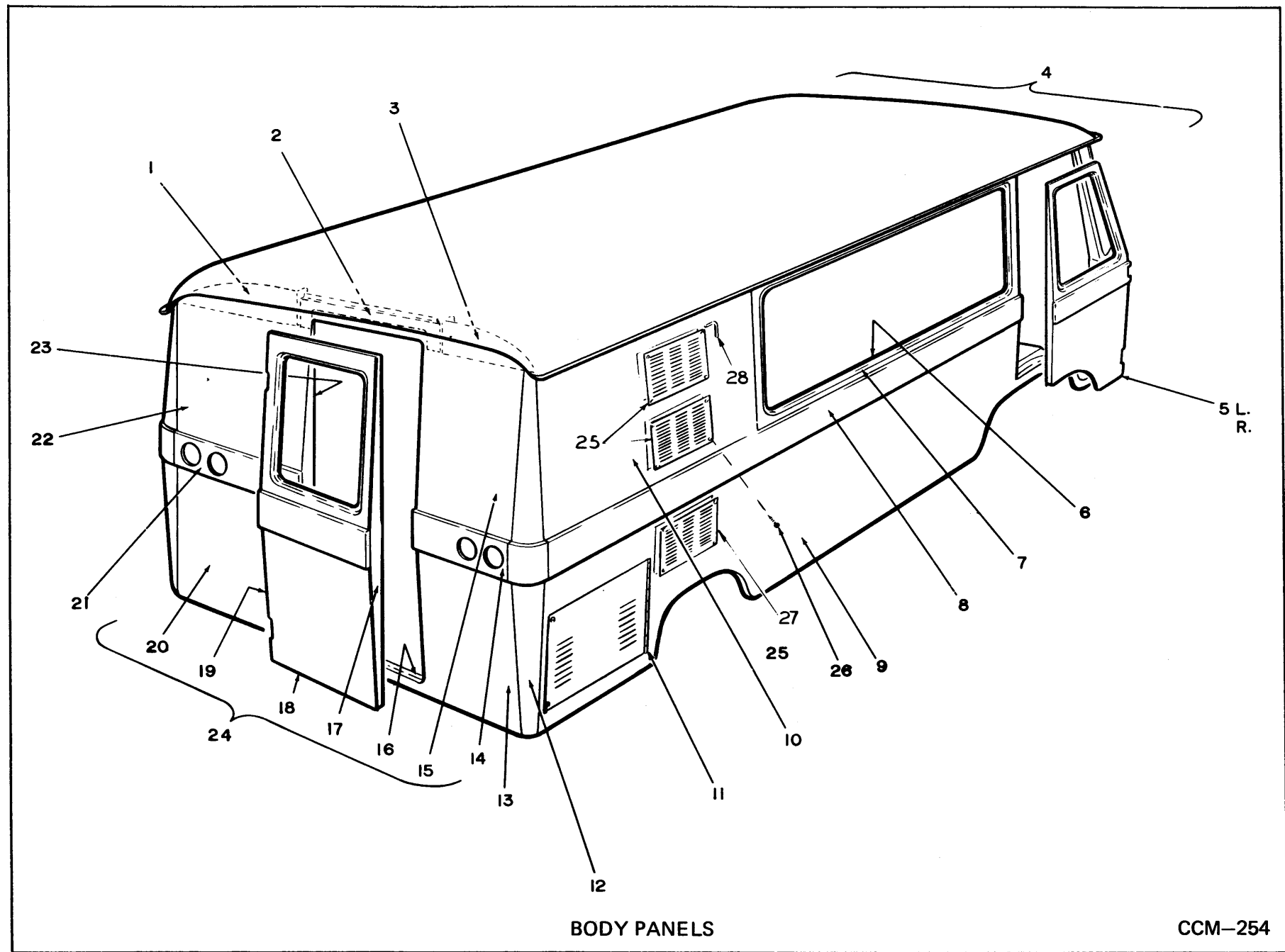
ITEM	BODY—PANELS (Use Illustration CCM-253)	REQUIRED	Serial No. 401-905						ITEM
	DESCRIPTION								
1	Rear Upper Extension Panel—L.H.	1	1698399						1
2	Interior Rear Door Header	1	1698617						2
3	Rear Upper Extension Panel—R.H.	1	1698398						3
4	Front End Assembly	1	1634431						4
5	Side Door—R.H.	1	1633492						5
	Side Door—L.H.	1	1634437						
6	Interior Side Window Panel—R.H.	1	1698535						6
7	Side Window Panel—R.H.	1	1698505						7
8	Right Side Belt Panel	1	1698514						8
9	Lower Extension Side Panel—R.H.	1	1644384						9
10	Rear Upper Panel—R.H.	1	1698398						10
11	L. P. G. & Battery Compartment Door	1	1698525						11
12	Rear Extension Corner Panel	1	1698385						12
13	Rear End Lower Panel—R.H.	1	1698389						13
14	Rear End Belt Panel—R.H.	1	1698387						14
15	Upper Rear Panel—R.H.	1	1698392						15
16	Threshold Rear End Bottom Rail Support	1	1698770						16
17	Rear Door Lock Pillar	1	1629236						17
18	Rear Door	1	1634433						18
19	Rear End Door Post—L.H.	1	1634429						19
20	Rear End Lower Panel—L.H.	1	1698390						20
21	Rear End Belt Panel—L.H.	1	1698388						21
22	Upper Rear Panel—L.H.	1	1698394						22
23	Rear Door Opening Interior Trim	1	1698471						23
24	Rear End Assembly	1	1634430						24
25	Spoiler	4	1654181						25
26	Pop Rivet	12	1623893						26

CC-139

327

January 1, 1968

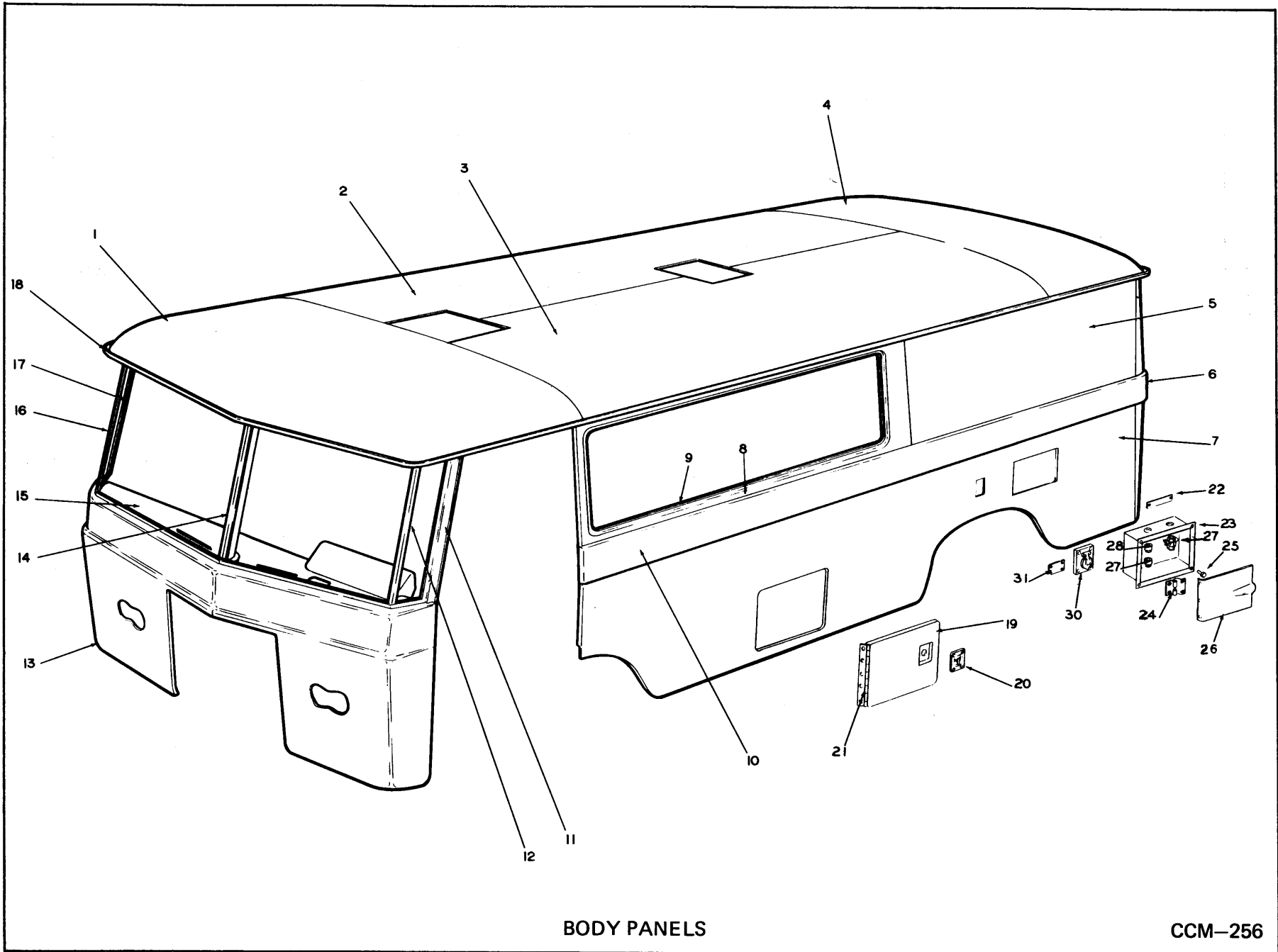




CORTEZ DIVISION

ITEM	BODY—PANELS (Use Illustration CCM-254)	REQUIRED	Serial No. 906-1800	Serial No. 1801-2200					ITEM
	DESCRIPTION								
1	Rear Upper Extension Panel—L.H.	1	1698399						1
2	Interior Rear Door Header	1	1698617						2
3	Rear Upper Extension Panel—R.H.	1	1698398						3
4	Front End Assembly	1	1667120						4
5	Side Door—R.H.	1	1633492						5
	Side Door—L.H.	1	1634437						
6	Interior Side Window Panel—R.H.	1	1698535						6
7	Side Window Panel—R.H.	1	1698505						7
8	Right Side Belt Panel	1	1698514						8
9	Lower Extension Side Panel—R.H.	1	1667121	1702697					9
10	Rear Upper Panel—R.H.	1	1667107						10
11	L. P. G. & Battery Compartment Door	1	1667119						11
12	Rear Extension Corner Panel	1	1698385						12
13	Rear End Lower Panel—R.H.	1	1698389						13
14	Rear End Belt Panel—R.H.	1	1698387						14
15	Upper Rear Panel—R.H.	1	1698392						15
16	Threshold Rear End Bottom Rail Support	1	1667113						16
17	Rear Door Lock Pillar	1	1667070						17
18	Rear Door	1	1667116						18
19	Rear End Door Post—L.H.	1	1667071						19
20	Rear End Lower Panel—L.H.	1	1698390						20
21	Rear End Belt Panel—L.H.	1	1698388						21
22	Upper Rear Panel—L.H.	1	1698394						22
23	Rear Door Opening Interior Trim	1	1698471						23
24	Rear End Assembly	1	1667108						24
25	Upper Louver Panel	2	1682616						25
26	Screw	36	1310353						26
27	Lower Louver Panel	1	1682617						27
28	Seal	AR	1682662						28

CORTEZ DIVISION

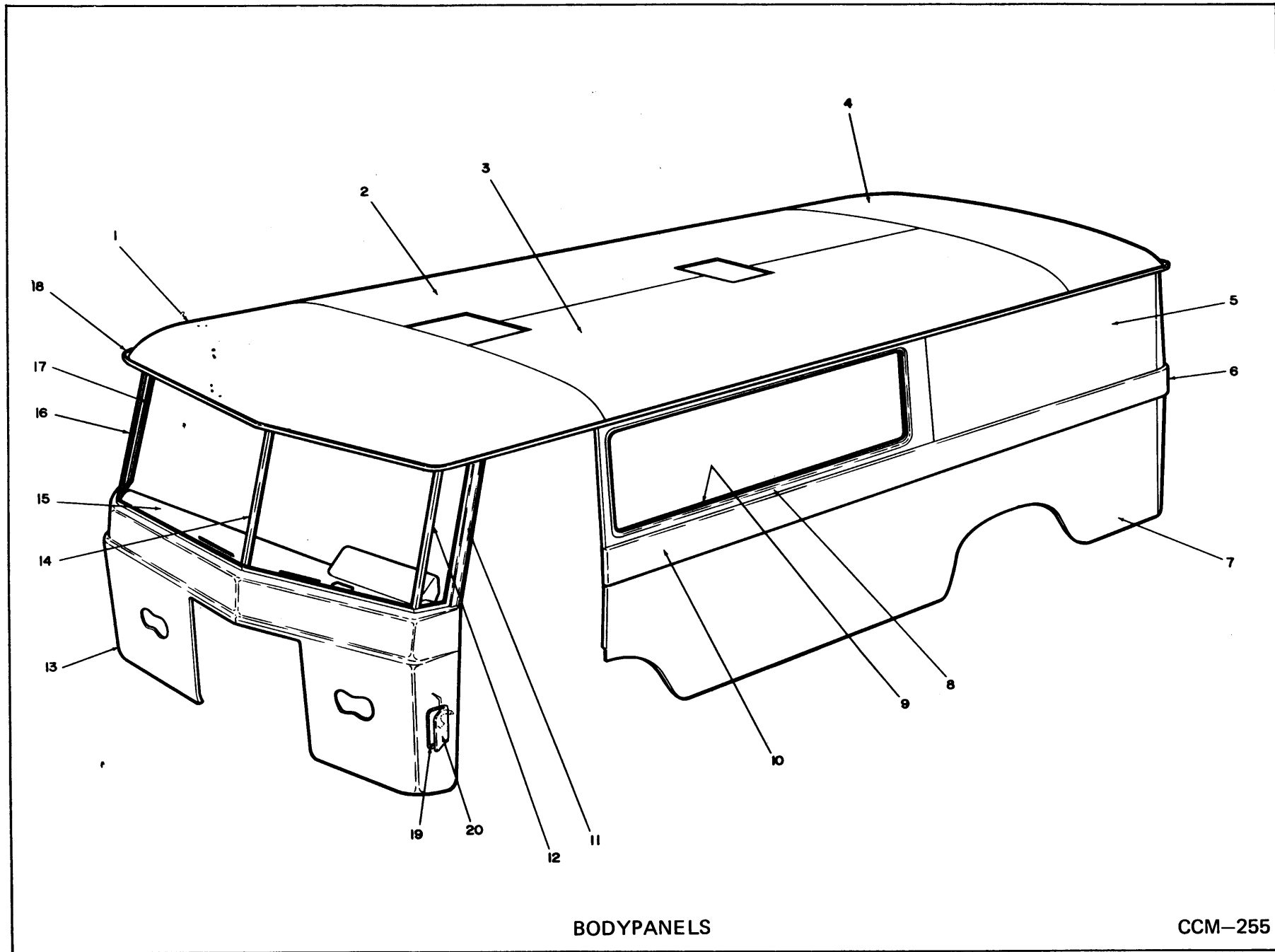


BODY PANELS

CCM-256

ITEM	BODY PANELS (Use Illustration CCM-256)	REQUIRED	Serial No. 351-400						ITEM
	DESCRIPTION								
1	Front Roof Cap	1	1698393						1
2	Exterior Roof Panel—R.H.	1	1698465						2
3	Exterior Roof Panel—L.H.	1	1698464						3
4	Rear Roof Cap	1	1698401						4
5	Upper Rear Side Panel—L.H.	1	1698511						5
6	Rear Corner Panel	2	1698385						6
7	Lower Side Panel—L.H.	1	1633446						7
8	Side Window Panel Exterior—L.H.	1	1698504						8
9	Side Window Panel Interior—L.H.	1	1698537						9
10	Left Belt Panel	1	1698513						10
11	Front Door Post Cover—L.H.	1	1698587						11
12	Windshield Corner Post—L.H.	1	1698592						12
13	Exterior Panel—Front End	1	1698341						13
14	Windshield Center Post	1	1698536						14
15	Windshield Ledge	1	1634361						15
16	Windshield Corner Post—R.H.	1	1698595						16
17	Rear Door Lock Pillar	1	1667070						17
18	Side Roof Rail	3	1698446						18
19	L. P. G. Compartment Door Assembly	1	1634319						19
20	L. P. G. Door Latch	1	1634324						20
21	L. P. G. Door Hinge	1	1634301						21
22	Water Name Plate	1	1620303						22
23	Water Filler Box	1	1634439						23
24	Door Hinge	1	1620318						24
25	Door Bumper (Rubber)	2	1634448						25
26	Water Filler Door	1	1698666						26
27	Inlet Hose Fitting	1	1634210						27
28	Nipple	1	1634211						28
29	Vent Cap (Aerator)	1	1634209						29
30	Weather Proof Receptacle	1	1634462						30
31	110-125 Volt Caution Plate	1	1616337						31
32	Horse Collar Reinforcement—R.H. (Not Shown)	1	1667178						32
33	Horse Collar Reinforcement—L.H. (Not Shown)	1	1667179						33

CORTEZ DIVISION



BODYPANELS

CCM-255

CC-139

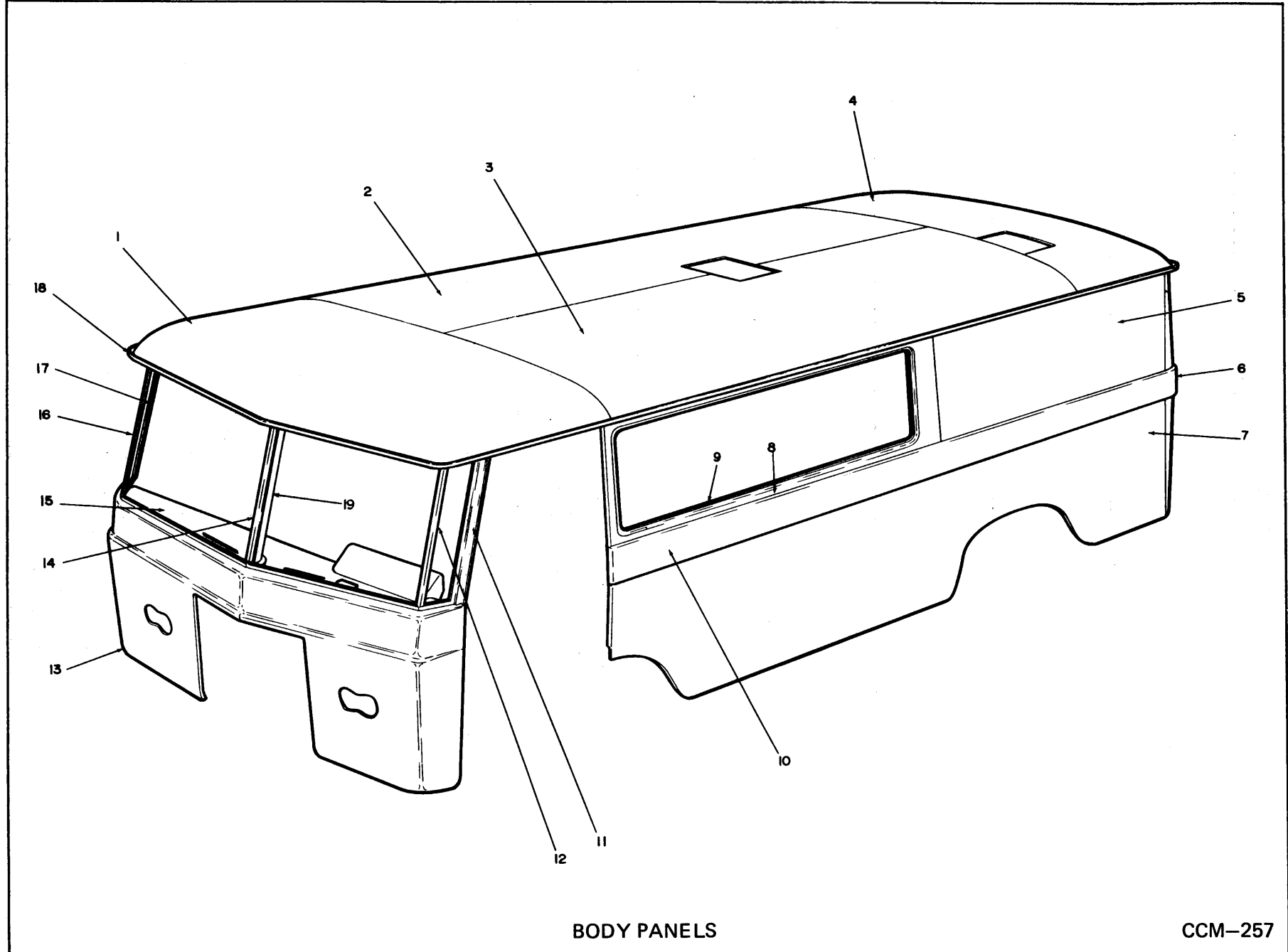
332

January 1, 1968

ITEM	BODY PANELS (Use Illustration CCM-255)	REQUIRED	Serial No. 401-905						ITEM
	DESCRIPTION								
1	Front Roof Cap	1	1698393						1
2	Exterior Roof Panel—R.H.	1	1698465						2
3	Exterior Roof Panel—L.H.	1	1698464						3
4	Rear Roof Cap	1	1698401						4
5	Upper Rear Side Panel—L.H.	1	1698511						5
6	Rear Corner Panel	2	1698385						6
7	Lower Side Panel—L.H.	1	1638366						7
8	Side Window Panel Exterior—L.H.	1	1698504						8
9	Side Window Panel Interior—L.H.	1	1698537						9
10	Left Belt Panel	1	1698513						10
11	Front Door Post Cover—L.H.	1	1698587						11
12	Windshield Corner Post—L.H.	1	1698592						12
13	Exterior Panel—Front End	1	1698341						13
14	Windshield Center Post	1	1698536						14
15	Windshield Ledge	1	1634361						15
16	Windshield Corner Post—R.H.	1	1698595						16
17	Front Door Post Cover—R.H.	1	1698551						17
18	Side Roof Rail	2	1698446						18
19	Side Cowl Vent Seal	2	896269						19
20	Side Cowl Vent Assembly	2	1651073						20
21	Horse Collar Reinforcement—R.H. (Not Shown)	1	1667178						21
22	Horse Collar Reinforcement—L.H. (Not Shown)	1	1667179						22

CORTEZ DIVISION

# CORTEZ DIVISION



BODY PANELS

CCM-257

CC-139

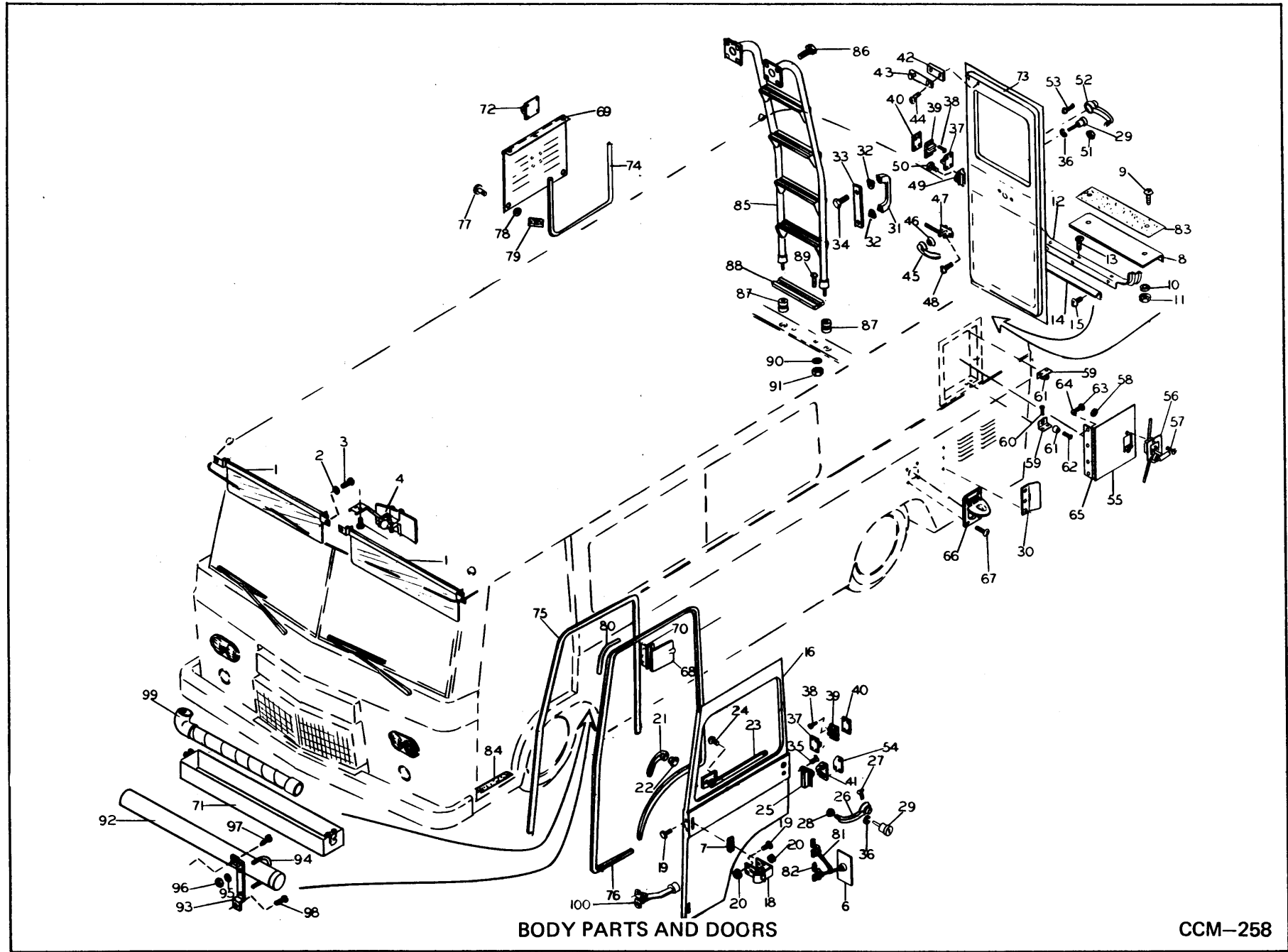
334

January 1, 1968

ITEM	BODY PANELS (Use Illustration CCM-257)	REQUIRED	Serial No. 906-1800	Serial No. 1801-2200					ITEM
	DESCRIPTION								
1	Front Roof Cap	1	1698393						1
2	Exterior Roof Panel—R.H.	1	1667014						2
3	Exterior Roof Panel—L.H.	1	1667015						3
4	Rear Roof Cap	1	1698401						4
5	Upper Rear Side Panel—L.H.	1	1698511						5
6	Rear Corner Panel	2	1698385						6
7	Lower Side Panel—L.H.	1	1667100	1673499					7
8	Side Window Panel Exterior—L.H.	1	1698504						8
9	Side Window Panel Interior—L.H.	1	1698537						9
10	Left Belt Panel	1	1698513						10
11	Front Door Post Cover—L.H.	1	1698587						11
12	Windshield Corner Post—L.H.	1	1698592						12
13	Exterior Panel—Front End	1	1667006						13
14	Windshield Center Post	1	1698536						14
15	Windshield Ledge	1	1672232						15
16	Windshield Corner Post—R.H.	1	1698595						16
17	Front Door Post Cover—R.H.	1	1698551						17
18	Side Roof Rail	4	1698446						18
19	Windshield Post Cover—Center	1	1672192						19

CORTEZ DIVISION





BODY PARTS AND DOORS

CCM-258

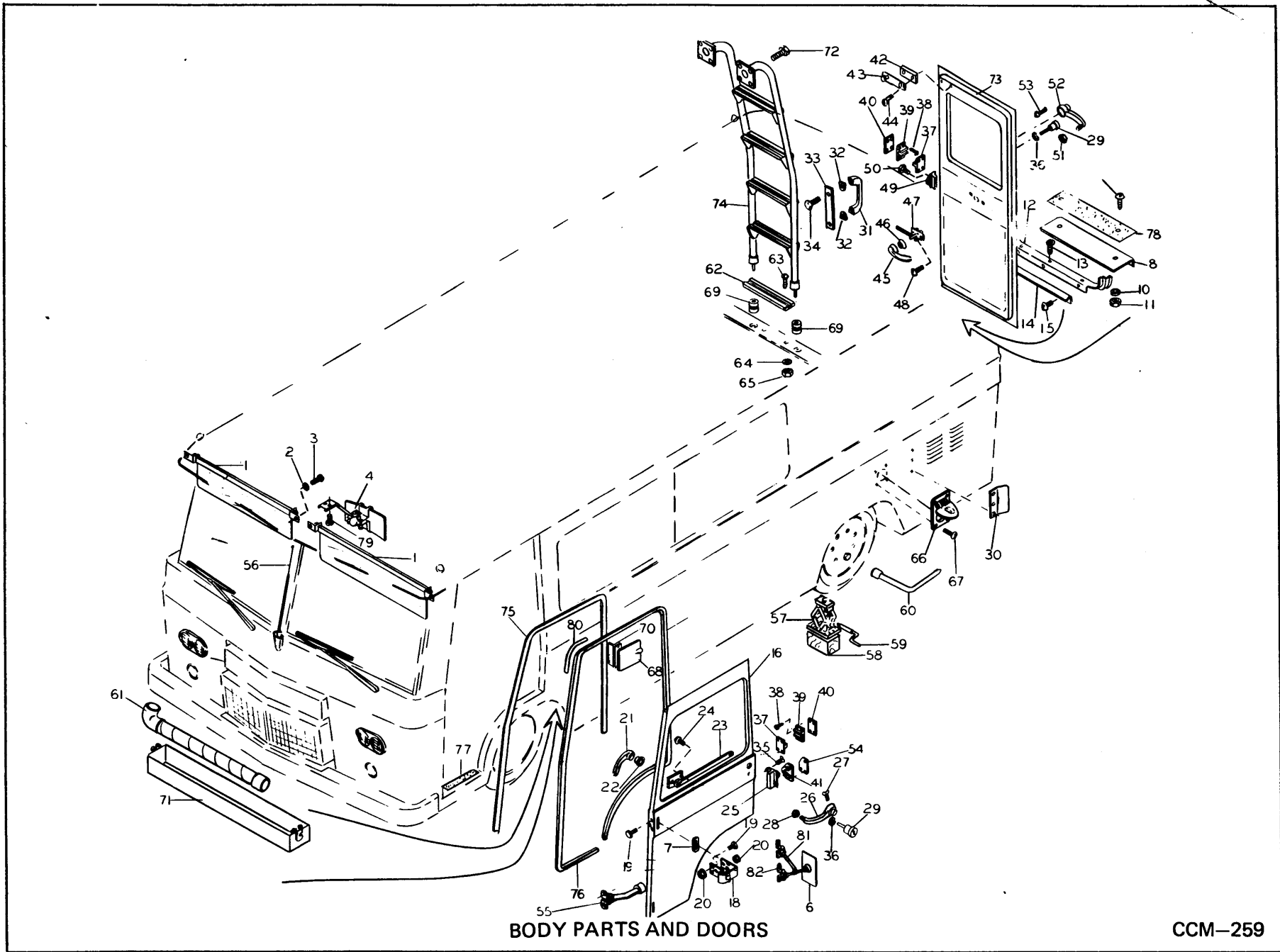
ITEM	BODY PARTS AND DOORS (Use Illustration CCM-258)	REQUIRED	Serial No. 101-350 401-500						ITEM
	DESCRIPTION								
1	Sun Visor	2	1629145						1
2	Sun Visor Screw	4	59G-1006N						2
3	Sun Visor Lockwasher	4	15E-10						3
4	Inside Rear View Mirror	1	1616247						4
5	Mirror Mounting Screw	2	65G-1008						5
6	Outside Rear View Mirror	2	1616316						6
7	Door Hinge Grommet	8	1698673						7
8	Rear Door Step	1	1634153						8
9	Step Mounting Screw	2	79G-1012						9
10	Step Mounting Lockwasher	2	15E-10						10
11	Step Mounting Nut	2	12D-10						11
12	Rear Door Threshold	1	1631352						12
13	Threshold Mounting Screw	3	COMM.						13
14	Threshold Strip	1	1631351						14
15	Threshold Strip Screw	3	14G-1006						15
16	Door Assembly—L.H.	1	1634437						16
	Door Assembly—R.H.	1	1634435						
18	Door Hinge	4	1634418						18
19	Hinge Bolt	16	1634420						19
20	Hinge Nut	16	1634421						20
21	Interior Door Handle	2	1613210						21
22	Escutcheon	2	1613212						22
23	Remote Control Assembly	2	1613092						23
24	Remote Control Screw	4	67G-1206						24
25	Door Catch—L.H.	1	1613095						25
	Door Catch—R.H.	1	1613089						
26	Exterior Handle	2	1629228						26
27	Exterior Handle Mounting Screw	2	75G-1016						27
28	Exterior Handle Mounting Nut	2	14D-10						28
29	Lock Assembly (Set of 3) w/Keys	1	1629229						29
30	Air Vent Spoiler	3	1633411						30
31	Grab Rail	1	1630600						31
32	Grab Rail Gasket	2	1630601						32
33	Grab Rail Backing Strip	1	1305164						33
34	Grab Rail Screw	2	2C-1010						34
35	Catch Mounting Screw	6	75G-1208						35
36	Lock Mounting Retainer	3	1638331						36
37	Door Stabilizer—Male	3	1631399						37
38	Door Stabilizer Screw	24	76G-412						38
39	Door Stabilizer—Female	3	1631398						39
40	Door Stabilizer Spacer	AR	1634078						40

CORTEZ DIVISION

ITEM	BODY PARTS AND DOORS (CONT'D) (Use Illustration CCM-258)	REQUIRED	Serial No.	Serial No.					ITEM
	DESCRIPTION		101-200	201-350 401-500					
41	Striker—L.H. and Rear Door	2	1613091						41
	Striker—R.H. Door	1	1613090						
42	Latch Spacer	1	1305119						42
43	Latch Bolt	1	1628310						43
44	Latch Bolt Mounting Screw	2	57G-616						44
45	Door Handle	1	1613210						45
46	Escutcheon	1	1613212						46
47	Connector Assembly	1	337035						47
48	Connector Mounting Screw	2	67G-1206						48
49	Door Catch	1	1613095						49
50	Door Catch Mounting Screw	3	75G-1208						50
51	Handle Mounting Nut	1	14D-10						51
52	Door Handle	1	1629228						52
53	Handle Mounting Screw	1	75G-1016						53
54	Stricker Spacer	AR	1698676						54
55	Water Heater Access Door	1	1634221						55
56	Door Lock and Bolt Assembly	1	1634218						56
57	Door Lock Mounting Bolt	3	5G-1006						57
58	Door Lock Mounting Nut	3	12D-10						58
59	Bracket, Bumper	2	1634214						59
60	Bumper Bracket Mounting Screw	4	63G-606						60
61	Bumper	2	1634217						61
62	Bumper Mounting Screw	2	63G-608						62
63	Door Hinge Screw	12	58G-604						63
64	Door Hinge Screw Lockwasher	12	15E-6						64
65	Door Hinge	1	1634215						65
66	Power Input Receptacle	1	431264						66
67	Receptacle Mounting Screw	4	65G-1010						67
68	Water Filler Door	1	1698666						68
69	L. P. G. Tank Door	1	1698525						69
70	Hinge—Gas and Water Fill Door	2	1620318						70
71	Septic Hose Compartment Assembly	1	Not Used	1629258					71
72	L. P. G. Compartment Door Holder Assembly	1	1698774						72
73	Rear Door Assembly	1	1634433						73
74	Rubber Seal	5'	1634121						74
75	Vinyl Door Trim	337"	1623857						75
76	Door Seal	3	1698749						76
77	L. P. G. Door Screw	2	1698515						77
78	L. P. G. Door Screw Washer	2	1698517						78
79	L. P. G. Door Screw Speed Nut	2	1698516						79

ITEM	BODY PARTS AND DOORS (CONT'D) (Use Illustration CCM-258)	REQUIRED	Serial No.	Serial No.					ITEM
	DESCRIPTION		101-200	201-350 401-500					
80	Door Seal Corner Filler	72"	1634152						80
81	Interior Mirror Brace	2	1634103						81
82	Interior Mirror Bolt	16	1C-412						82
83	Safety Tread—Rear Bumper	1	1634154						83
84	Safety Tread—Front Doors	2	1630641						84
85	Ladder	1	1638376						85
86	Ladder Mounting Screw	8	32G-1408						86
87	Ladder Mounting Grommet	2	1303932						87
88	Step Assembly	1	1634314						88
89	Step Mounting Screw	2	75G-1012						89
90	Step Mounting Lockwasher	2	15E-10						90
91	Step Mounting Nut	2	12D-10						91
92	Septic Tank Hose Storage Tube	1	1620326	Not Used					92
93	Bracket, Storage Tube	2	1620325	Not Used					93
94	Storage Tube "U" Bolt	2	784754	Not Used					94
95	Storage Tube "U" Bolt Lockwasher	4	4E-04	Not Used					95
96	Storage Tube "U" Bolt Nut	4	2D-04	Not Used					96
97	Bracket, Mounting Screw and Nut	2	1620324	Not Used					97
98	Bracket, Mounting Screw	2	61G-0412	Not Used					98
99	Holding Tank Drain Hose	1	1616226						99
100	Door Check	3	1616333						100

CORTEZ DIVISION



BODY PARTS AND DOORS

CCM-259

CORTEZ DIVISION

ITEM	BODY PARTS AND DOORS (Use Illustration CCM-259)	REQUIRED	Serial No. 351-400						ITEM
	DESCRIPTION								
1	Sun Visor	2	1629145						1
2	Sun Visor Screw	4	59G-1006N						2
3	Sun Visor Lockwasher	4	15E-10						3
4	Inside Rear View Mirror	1	1616247						4
5	Mirror Mounting Screw	2	65G-1008						5
6	Outside Rear View Mirror	2	1616316						6
7	Door Hinge Grommet	8	1698673						7
8	Rear Door Step	1	1634153						8
9	Step Mounting Screw	2	79G-1012						9
10	Step Mounting Lockwasher	2	15E-10						10
11	Step Mounting Nut	2	12D-10						11
12	Rear Door Threshold	1	1631352						12
13	Threshold Mounting Screw	3	COMM.						13
14	Threshold Strip	1	1631351						14
15	Threshold Strip Screw	3	14G-1006						15
16	Door Assembly—L.H.	1	1634437						16
	Door Assembly—R.H.	1	1634435						
18	Door Hinge	4	1634418						18
19	Hinge Bolt	16	1634420						19
20	Hinge Nut	16	1634421						20
21	Interior Door Handle	2	1613210						21
22	Escutcheon	2	1613212						22
23	Remote Control Assembly	2	1613092						23
24	Remote Control Screw	4	67G-1206						24
25	Door Catch—L.H.	1	1613095						25
	Door Catch—R.H.	1	1613089						
26	Exterior Handle	2	1629228						26
27	Exterior Handle Mounting Screw	2	75G-1016						27
28	Exterior Handle Mounting Nut	2	14D-10						28
29	Lock Assembly (Set of 3) w/Keys	1	1629229						29
30	Air Vent Spoiler	3	1633411						30
31	Grab Rail	1	1630600						31
32	Grab Rail Gasket	2	1630601						32
33	Grab Rail Backing Strip	1	1305164						33
34	Grab Rail Screw	2	2C-1010						34
35	Catch Mounting Screw	6	75G-1208						35
36	Lock Mounting Retainer	3	1638331						36
37	Door Stabilizer—Male	3	1631399						37
38	Door Stabilizer Screw	24	76G-412						38
39	Door Stabilizer—Female	3	1631398						39

ITEM	BODY PARTS AND DOORS (CONT'D) (Use Illustration CCM-259)	REQUIRED	Serial No. 351-400						ITEM
	DESCRIPTION								
40	Door Stabilizer Spacer	AR	1634078						40
41	Striker—L.H. and Rear Door	2	1613091						41
	Striker—R.H. Door	1	1613090						
42	Latch Spacer	1	1305119						42
43	Latch Bolt	1	1628310						43
44	Latch Bolt Mounting Screw	2	57G-616						44
45	Door Handle	1	1613210						45
46	Escutcheon	1	1613212						46
47	Connector Assembly	1	337035						47
48	Connector Mounting Screw	2	67G-1206						48
49	Door Catch	1	1613095						49
50	Door Catch Mounting Screw	3	75G-1208						50
51	Handle Mounting Nut	1	14D-10						51
52	Door Handle	1	1629228						52
53	Handle Mounting Screw	1	75G-1016						53
54	Striker Spacer	AR	1698676						54
55	Door Check	3	1616333						55
56	Radio Antenna	1	896268						56
57	Jack	1	1634386						57
58	Jack Block	1	1634424						58
59	Jack Handle	1	1634434						59
60	Lug Wrench	1	1616318						60
61	Holding Tank Drain Hose	1	1616226						61
62	Step Assembly	1	1634314						62
63	Step Mounting Screw	2	75G-1012						63
64	Step Mounting Lockwasher	2	15E-10						64
65	Step Mounting Nut	2	12D-10						65
66	Power Input Receptacle	1	431264						66
67	Receptacle Mounting Screw	4	65G-1010						67
68	Water Filler Door	1	1698666						68
69	Ladder Mounting Grommet	2	1303932						69
70	Hinge—Gas and Water Fill Door	2	1620318						70
71	Septic Hose Compartment Assembly	1	1629258						71
72	Ladder Mounting Screw	8	32G-1408						72
73	Rear Door Assembly	1	1634433						73
74	Ladder	1	1638376						74
75	Vinyl Door Trim	337"	1623857						75
76	Door Seal	3	1698749						76
77	Safety Tread—Front Doors	2	1630641						77
78	Safety Tread—Rear Bumper	1	1634154						78

CORTEZ DIVISION

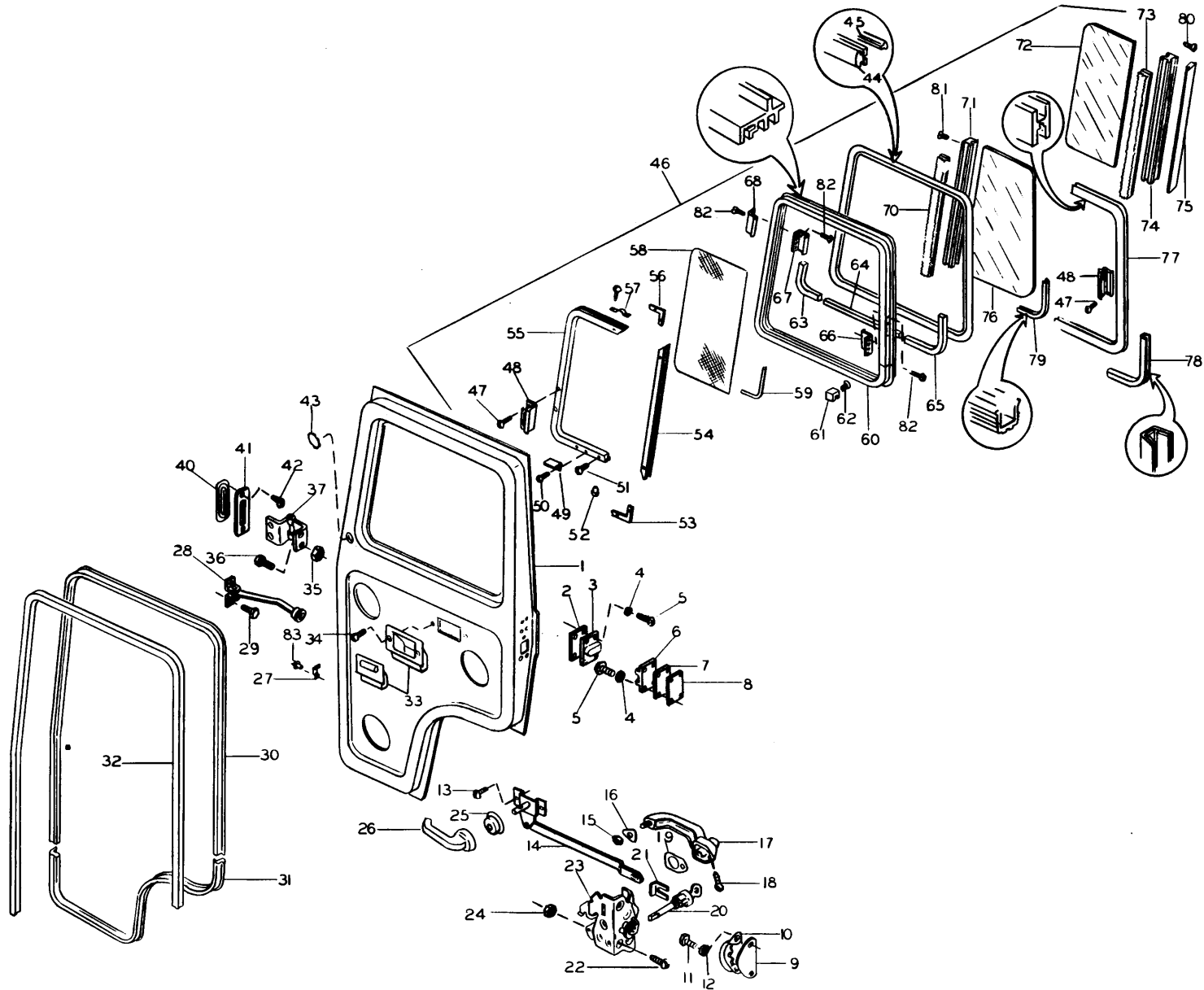
ITEM	BODY PARTS AND DOORS (CONT'D) (Use Illustration CCM-259)	REQUIRED	Serial No. 351-400						ITEM
	DESCRIPTION								
80	Door Seal Corner Filler Outside Mirror Brace	72"	1634152						80
81		2	1634103						81

CC-139

343

January 1, 1968





SIDE DOORS AND WINDOWS

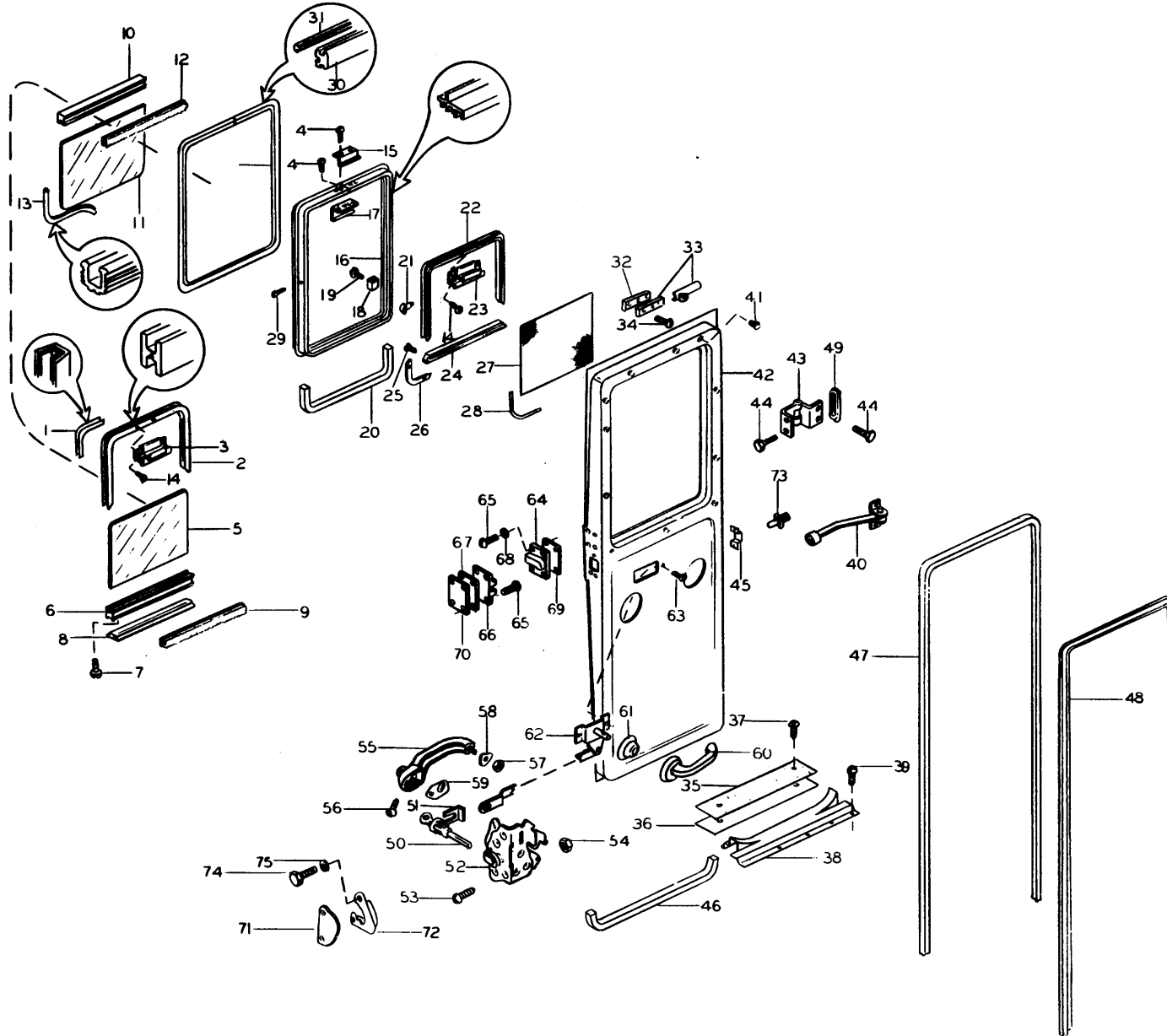
CCM-260

ITEM	SIDE DOORS AND WINDOWS (Use Illustration CCM-260)	REQUIRED	Serial No. 501-905	Serial No. 906-1884	Serial No. 1885-2200				ITEM
	DESCRIPTION								
1	Side Door Assembly—R.H.	1	1633492		1721932				1
	Side Door Assembly—L.H.	1	1634437		1721931				
2	Tapping Plate (Welded to Door)	2	1631397						2
3	Stabilizer—Male	2	1631399						3
4	Stabilizer Mounting Lockwasher	16	20E-04						4
5	Stabilizer Mounting Screw	16	76G-412						5
6	Stabilizer—Female	2	1631398						6
7	Stabilizer Spacer	AR	1634078						7
8	Tapped Plate (Welded to Body)	2	1631397						8
9	Tapped Plate (Welded to Body)	2	1613211						9
10	Striker Plate—R.H.	1	1613090						10
	Striker Plate—L.H.	1	1613091						
11	Plate Mounting Screw	6	24C-416						11
12	Plate Mounting Lockwasher	6	8E-04						12
13	Connector Mounting Screw	4	67G-1206						13
14	Lock to Handle Connector	2	1613092						14
15	Handle Mounting Nut	2	14D-10						15
16	Handle Mounting Gasket—Small	2	1616375						16
17	Exterior Door Handle	2	1629228						17
18	Handle Mounting Screw	2	75G-1010						18
19	Handle Mounting Gasket—Large	2	1616374						19
20	Lock w/Keys (Set of 3)	1	1629229		1705099				20
21	Lock Cylinder Retainer	2	1638331		1705097				21
22	Door Lock Mounting Screws	6	75G-1210						22
23	Door Lock—R.H.	1	1613089						23
	Door Lock—L.H.	1	1613095						
24	Door Lock Mounting Nut	6	12D-12						24
25	Interior Handle Escutcheon	2	1613212						25
26	Interior Door Handle	2	1613210						26
27	Courtesy Light Striker	2	1698763						27
28	Door Check Assembly	2	1616333						28
29	Door Check Mounting Screw	4	14G-1412						29
30	Door Seal—Outer	AR	1651092						30
31	Door Seal—Bottom	AR	1651096						31
32	Door Seal—Inner	AR	1651091	1672019					32
33	Ash Tray—R.H. Door Only	1	1633475						33
34	Ash Tray Mounting Screw	2	32G-812						34
35	Hinge to Door Nut	8	1634421						35
36	Hinge to Door Screw	8	1634420						36

ITEM	SIDE DOORS AND WINDOWS (CONT'D) (Use Illustration CCM-260)	REQUIRED	Serial No.	Serial No.	Serial No.				ITEM
	DESCRIPTION		501-905	906-1800	1801-2200				
37	Door Hinge	4	1634418		1673474				37
38	Hinge to Body Screw	8	1634420						38
39	Hinge to Body Nut	8	1634421						39
40	Hinge Grommet	8	1698673						40
41	Hinge Grommet Cover Plate	2	1698661						41
42	Cover Plate Screw	4	58G-610						42
43	Plug Button—L.H. Door Only	1	1306869						43
44	Window Weatherstrip—100"	2	138667						44
45	Window Filler Strip—100"	2	138668						45
46	Window Assembly—R.H. (Items 47-82)	1	1651055	1670159					46
	Window Assembly—L.H. (Items 47-82)	1	1651054	1670160					
47	Latch Screw	6	75G-804R						47
48	Latch	3	896209						48
	Window Latch Spring	1	890653						
49	Screen Lift-Up Angle	1	896408						49
50	Lift-Up Angle Screw	2	79G-803J						50
51	Screw	4	75G-404R						51
52	Screen Glide Button (Nylon)	2	896210						52
53	Screen Frame Angle—Bottom	1	896410						53
54	Screen Frame Bar—R.H.	1	896426						54
	Screen Frame Bar—L.H.	1	896425						
55	Screen Frame—R.H.	1	896424						55
	Screen Frame—L.H.	1	896423						
56	Screen Frame Angle—Top	1	896412						56
57	Nylon Spring	2	896407						57
58	Screen	1	896416						58
59	Screen Vinyl Tubing—65"	1	896221						59
60	Window Frame—R.H.	1	896428						60
	Window Frame—L.H.	1	896427						
61	Window Stop	1	896409						61
62	Window Stop Screw	1	896215						62
63	Screen Stop—Rubber	1	896418						63
64	Screen Slide Bar	1	896411						64
65	Window Stop—Rubber	1	896417						65
66	Window Catch—Rear	1	896415						66
67	Window Catch—Front	1	896216						67
68	Screen Catch	1	896217						68
69	Sliding Glass Frame—Front R.H.	1	896422						69
	Sliding Glass Frame—Front L.H.	1	896421						
70	Screen Seal Pile—22"	1	896218						70

ITEM	SIDE DOORS AND WINDOWS (CONT'D) (Use Illustration CCM-260)	REQUIRED	Serial No. 501-905	Serial No. 906-2200					ITEM
	DESCRIPTION								
71	Rear Glass Vertical Bar—R.H.	1	896420						71
	Rear Glass Vertical Bar—L.H.	1	896419						
72	Front Sliding Glass	1	896413	899093					72
73	Window Seal Pile—22"	1	896224						73
74	Front Glass Vertical Bar—R.H.	1	896430						74
	Front Glass Vertical Bar—L.H.	1	896429						
75	Vinyl Seal—21-5/8"	1	896221						75
76	Rear Glass	1	896414	899094					76
77	Rear Glass Frame—R.H.	1	896432						77
	Rear Glass Frame—L.H.	1	896431						
78	Glass Frame Seal—Rear—43"	1	896433						78
	Glass Frame Seal—Front—43-1/2"	1	896434						
79	Glass Glazing—Rear Glass—61-1/4"	1	896226						79
	Glass Glazing—Front Glass—60-1/2"	1	896226						
80	Screw	2	57G-810						80
81	Screw	2	32G-810						81
82	Catch Screw	10	79G-804J						82

CORTEZ DIVISION



REAR DOOR AND WINDOW

CCM-261

ITEM	REAR DOOR & WINDOW (Use Illustration CCM-261)	REQUIRED	Serial No. 501-905						ITEM
	DESCRIPTION								
	Rear Window Assembly (Includes Items 1 thru 29)	1	1651056						1
1	Sliding Window Seal Pile—42"	1	896291						2
2	Sliding Window Frame	1	896292						3
3	Window Latch	1	896209						4
4	Latch Screw	6	79G-804R						5
5	Sliding Glass	1	896293						6
6	Sliding Window Horizontal Bar	1	896294						7
7	Horizontal Bar Screw	2	57G-810R						8
8	Window Vinyl Seal—Center—17"	1	896221						9
9	Window Horizontal Seal Pile—16-5/16"	1	896224						10
10	Stationary Window Horizontal Bar	1	896295						11
11	Stationary Glass	1	896296						12
12	Window to Screen Seal Pile—16-3/16"	1	896218						13
13	Vinyl Glass Glazing—54-3/4" & 57"	1	896226						14
14	Latch Screw	4	75G-804R						15
15	Screen Catch	1	896217						16
16	Window Frame	1	896297						17
17	Window Catch	1	896216						18
18	Window Stop	1	896214						19
19	Window Stop Screw	2	896215						20
20	Screen Bumper Stop	1	896298						21
21	Screen Glide Button	4	896210						22
22	Screen Frame	1	896299						23
23	Screen Latch	1	896209						24
24	Screen Frame Cross Bar	1	896300						25
25	Screen Frame Screw	4	75G-404R						26
26	Screen Frame Angle	2	896207						27
27	Screen	1	896301						28
28	Screen Retaining Vinyl Tubing—58"	1	896204						29
29	Cross Bar Screw	2	896223						30
30	Rear Window Weatherseal—100"	1	138667						31
31	Weatherseal Filler—100"	1	138668						32
32	Latch Bolt Mounting Spacer	1	1313014						33
33	Latch Bolt	1	1628310						34
34	Latch Bolt Mounting Screw	2	57G-616						35
35	Safety Tread	1	1634154						36
36	Rear Step Plate	1	1634153						

CORTEZ DIVISION

ITEM	REAR DOOR & WINDOW (CONT'D) (Use Illustration CCM-261)	REQUIRED	Serial No. 501-905						ITEM
	DESCRIPTION								
37	Plate Mounting Screw	2	79G-1012						37
	Plate Mounting Lockwasher	2	15E-10						
	Plate Mounting Nut	2	12D-10						
38	Threshold	1	1649367						38
39	Threshold Mounting Screw	4	1623856						39
40	Door Check	1	1616333						40
41	Snap Stud	11	1617113						41
42	Rear Door Assembly	1	1634433						42
43	Hinge Assembly	2	1634417						43
44	Hinge Screw	8	1634420						44
45	Courtesy Light Striker	1	1698763						45
46	Bottom Seal—25"	1	1651093						46
47	Outer Door Seal—169-1/2"	1	1651092						47
48	Inner Door Seal—167-1/2"	1	1651091						48
49	Hinge Grommet	2	1698673						49
50	Lock Set w/Keys (Set of 3)	1	1629229						50
51	Lock Retainer	1	1638331						51
52	Rear Door Lock	1	1613095						52
53	Lock Mounting Screw	3	75G-1210						53
54	Lock Mounting Nut	3	12D-12						54
55	Door Handle	1	1629228						55
56	Handle Mounting Screw	1	75G-1016						56
57	Handle Mounting Nut	1	14D-10						57
58	Handle Seal—Small	1	1616375						58
59	Handle Seal—Large	1	1616374						59
60	Interior Door Handle	1	1613210						60
61	Escutcheon	1	1613212						61
62	Door Lock Connector	1	337035						62
63	Connector Mounting Screw	2	67G-1206						63
64	Stabilizer—Male	1	1631399						64
65	Stabilizer Mounting Screw	8	76G-412						65
66	Stabilizer—Female	1	1631398						66
67	Stabilizer Spacer	AR	1634078						67
68	Stabilizer Mounting Lockwasher	8	20E-04						68
69	Tapped Mounting Plate—Welded to Door	1	1631397						69
70	Tapped Mounting Plate—Welded to Body	1	1631397						70
71	Tapped Mounting Plate—Welded to Body	1	1613211						71

CORTEZ DIVISION

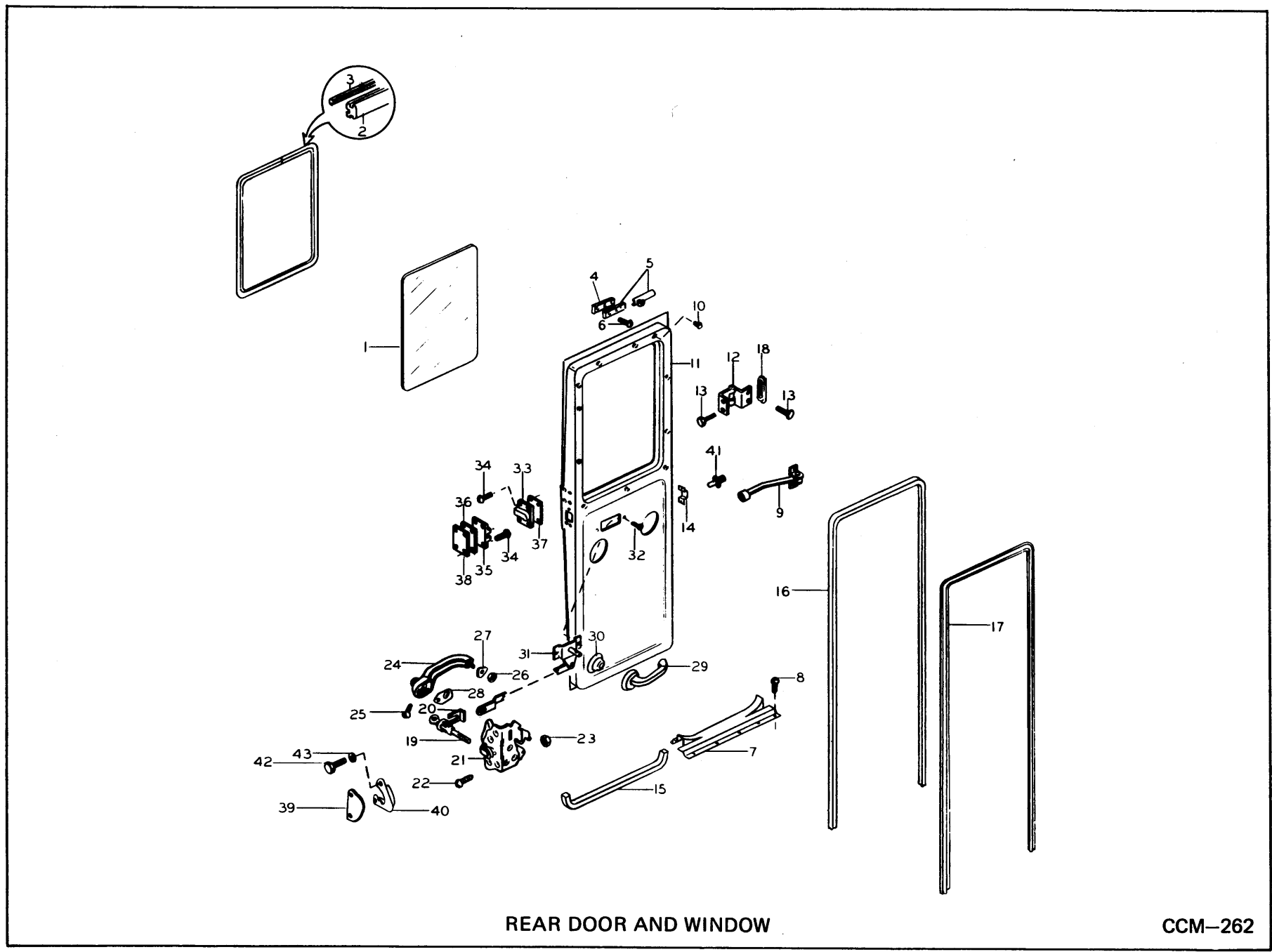
ITEM	REAR DOOR & WINDOW (CONT'D) (Use Illustration CCM-261)	REQUIRED	Serial No. 501-905						ITEM
	DESCRIPTION								
72	Striker Plate	1	1613091						72
73	Courtesy Light Switch	1	1614424						73
74	Striker Plate Screw	3	24C-416						74
75	Striker Plate Screw Lockwasher	3	8E-04						75

CC-139

351

January 1, 1968





REAR DOOR AND WINDOW

CCM-262

ITEM	REAR DOOR & WINDOW (Use Illustration CCM-262)	REQUIRED	Serial No. 906-1884	Serial No. 1885-2200					ITEM
	DESCRIPTION								
1	Rear Window	1	1670163						1
2	Rear Window Weatherseal—100"	1	138667						2
3	Weatherseal Filler—100"	1	138668						3
4	Latch Bolt Mounting Spacer	1	1313014						4
5	Latch Bolt	1	1628310						5
6	Latch Bolt Mounting Screw	2	57G-616						6
7	Threshold	1	1675400						7
8	Threshold Mounting Screw	4	1623856						8
9	Door Check	1	1616333						9
10	Snap Stud	11	1617113						10
11	Rear Door Assembly	1	1667116	1721930					11
12	Hinge Assembly	2	1634417						12
13	Hinge Screw	8	1634420						13
14	Courtesy Light Striker	1	1698763						14
15	Bottom Seal—25"	1	1667134	1651092					15
16	Outer Door Seal—169-1/2"	1	1651092						16
17	Inner Door Seal—167-1/2"	1	1672019						17
18	Hinge Grommet	2	1698673						18
19	Lock Set w/Keys (Set of 3)	1	1629229	1705099					19
20	Lock Retainer	1	1638331	1705097					20
21	Rear Door Lock	1	1613095						21
22	Lock Mounting Screw	3	75G-1210						22
23	Lock Mounting Nut	3	12D-12						23
24	Door Handle	1	1629228						24
25	Handle Mounting Screw	1	75G-1016						25
26	Handle Mounting Nut	1	14D-10						26
27	Handle Seal—Small	1	1616375						27
28	Handle Seal—Large	1	1616374						28
29	Interior Door Handle	1	1613210						29
30	Escutcheon	1	1613212						30
31	Door Lock Connector	1	337035						31
32	Connector Mounting Screw	2	67G-1206						32
33	Stabilizer—Male	1	1631399						33
34	Stabilizer Mounting Screw	8	76G-412						34
35	Stabilizer—Female	1	1631398						35
36	Stabilizer Spacer	AR	1634078						36
37	Tapped Mounting Plate—Welded to Door	1	1631397						37
38	Tapped Mounting Plate—Welded to Body	1	1631397						38

CORTEZ DIVISION

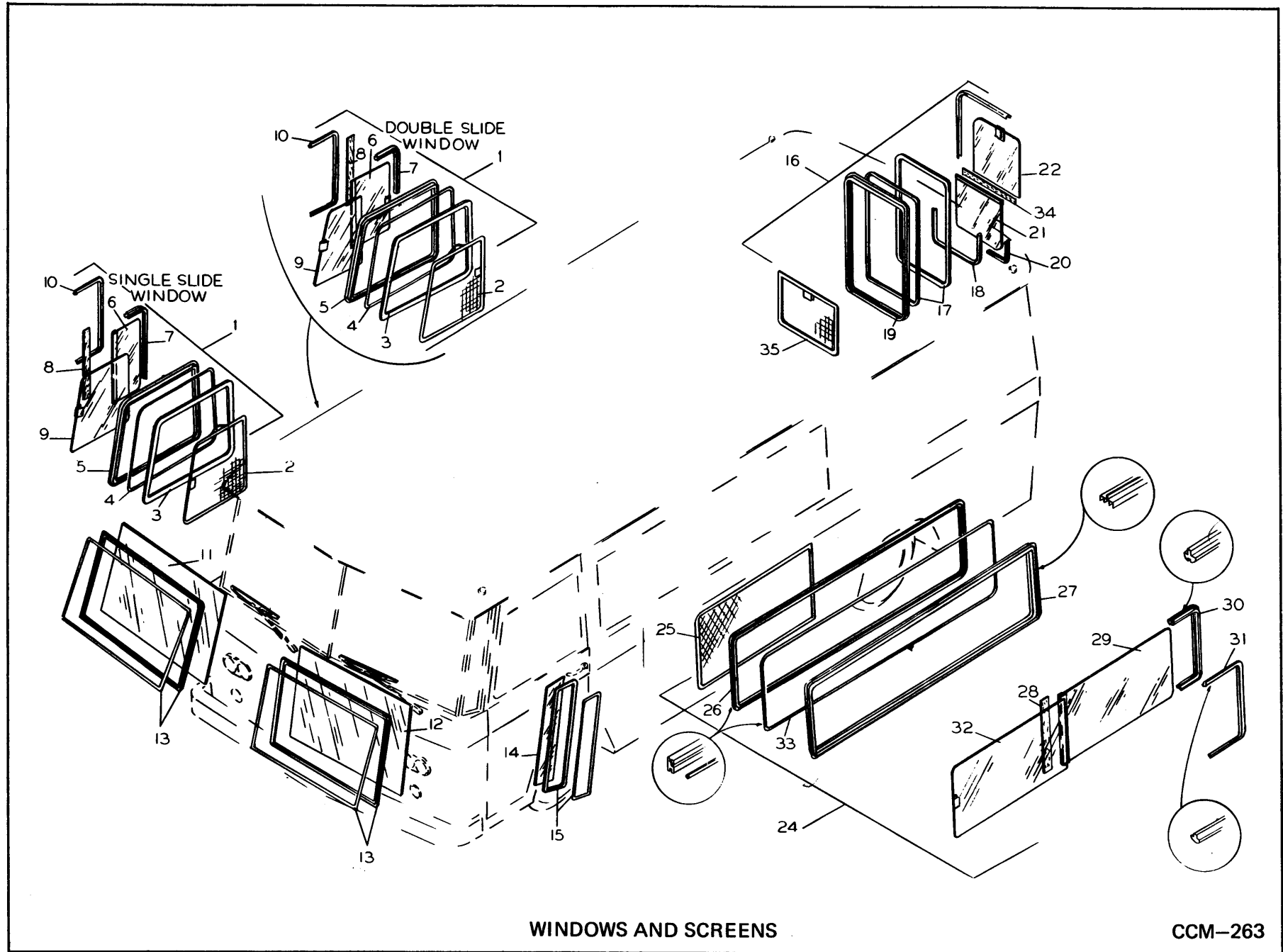
# CORTEZ DIVISION

ITEM	REAR DOOR & WINDOW (CONT'D) (Use Illustration CCM-262)	REQUIRED	Serial No. 906-2200						ITEM
	DESCRIPTION								
39	Tapped Mounting Plate—Welded to Body	1	1613211						39
40	Striker Plate	1	1613091						40
41	Courtesy Light Switch	1	1614424						41
42	Striker Plate Screw	3	24C-416						42
43	Striker Plate Screw Lockwasher	3	8E-04						43

CC-139

354

January 1, 1968



WINDOWS AND SCREENS

CCM-263

ITEM	WINDOWS AND SCREENS (Use Illustration CCM-263)	REQUIRED	Serial No.	Serial No.	Serial No.				ITEM
	DESCRIPTION		1-100	101-350	351-500				
1	Front Door Window Assembly—R.H.	1	1616273	1628341	1634028				1
	Front Door Window Assembly—L.H.	1	1616274	1628342	1634027				
2	Door Window Screen—R.H.	1	894054	894032	894067				2
	Door Window Screen—L.H.	1	894060	894033	894068				
3	Window Weatherstrip—100"	2	138667						3
4	Filler Strip—100"	2	138668						4
5	Door Window Frame—R.H.	1	894061	894034	894069				5
	Door Window Frame—L.H.	1	894062	894035	894070				
6	Door Rear Glass—R.H.	1	894063	894036	894071				6
	Door Rear Glass—L.H.	1	894064	894037	894072				
7	Rubber Glazing—41"	2	894038						7
8	Felt	AR	894039						8
9	Door Front Glass Assembly—R.H.	1	894065	894040	894058				9
	Door Front Glass Assembly—L.H.	1	894066	894041	894059				
10	Rubber Bumper and Filler—28"	4	894042						10
11	Windshield—R.H.	1	1616251						11
12	Windshield—L.H.	1	1616250						12
13	Windshield Seal Assembly	2	1630602						13
14	Corner Window—L.H.	1	1616248						14
	Corner Window—R.H.	1	1616249						
15	Corner Window Seal Assembly—L.H.	1	1630603						15
	Corner Window Seal Assembly—R.H.	1	1630604						
16	Rear Door Window Assembly	1	1628339						16
17	Rear Door Window Weatherstrip—100"	1	138667						17
18	Rear Door Window Filler—100"	1	138668						18
19	Rear Door Window Frame Assembly	1	894043						19
20	Rubber Glazing	1	894044						20
21	Rear Lower Glass Assembly	1	894045						21
22	Rear Upper Glass Assembly	1	894046						22
23	Channel Pile	AR	894047						23
24	Side Window Assembly—L.H. (Includes Items 25, 27 thru 32)	1	1628340						24
	Side Window Assembly—R.H.	1	1630622						
25	Side Window Screen—L.H.	1	894048						25
	Side Window Screen—R.H.	1	894049						
26	Side Window Seal Strip—220"	2	138667						26
27	Side Window Frame Assembly—L.H.	1	894050						27
	Side Window Frame Assembly—R.H.	1	894051						
28	Felt Weatherstrip	AR	894039						28

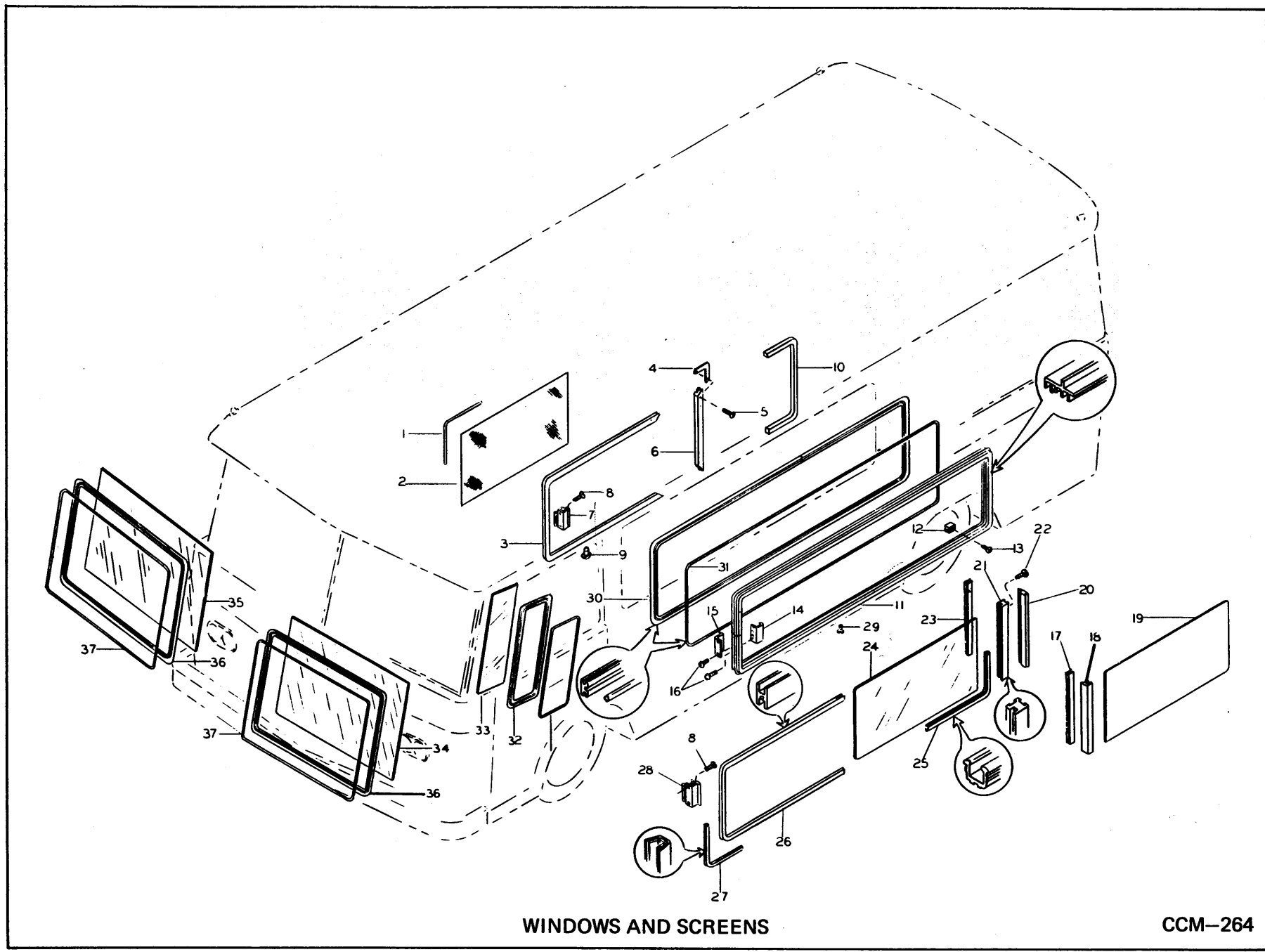
**CORTEZ DIVISION**

ITEM	WINDOWS AND SCREENS (CONT'D) (Use Illustration CCM-263)	REQUIRED	Serial No. 1-500						ITEM
	DESCRIPTION								
29	Side Window Rear Glass—L.H.	1	894052						29
	Side Window Rear Glass—R.H.	1	894053						
30	Rubber Glazing—110"	1	894044						30
31	Rubber Bumper and Filler—24"	2	894042						31
32	Side Window Front Glass Assembly—L.H.	1	894055						32
	Side Window Front Glass Assembly—R.H.	1	894056						
33	Side Window Filler Strip—220"	2	138668						33
34	Rear Door Felt Seal	AR	894039						34
35	Rear Door Screen Assembly	1	894057						35
36	Catch Kit—For Windows	AR	894582						36
37	Catch Kit—For Screens	AR	894583						37

CC-139

358

January 1, 1968



WINDOWS AND SCREENS

CCM-264

CC-139

360

January 1, 1968

ITEM	WINDOWS AND SCREENS (Use Illustration CCM-264)	REQUIRED	Serial No. 501-905	Serial No. 906-1800	Serial No. 1801-2200	ITEM
	DESCRIPTION					
	Side Window Assembly—L.H. (Includes Items 1 thru 28)	1	1651052	1670162	1697454	
	Side Window Assembly—R.H. (Includes Items 1 thru 28)	1	1651053	1670161	1697455	
1	Screen Retaining Vinyl Tubing—127-3/4"	1	896204			1
2	Screen	1	896205			2
3	Screen Frame	1	896206			3
4	Screen Frame Angle	2	896207			4
5	Screen Frame Screw	2	75G-404R			5
6	Screen Frame Vertical Bar	1	896208			6
7	Screen Latch	1	896209			7
8	Screen Latch Screw	4	75G-804R			8
9	Glide Button	6	896210			9
10	Screen Bumper Stop	1	896211			10
11	Window Frame—L.H.	1	896212			11
	Window Frame—R.H.	1	896213			
12	Window Stop	1	896214			12
13	Window Stop Screw	1	896215			13
14	Window Catch	1	896216			14
15	Screen Catch	1	896217			15
16	Screw	6	79G-804R			16
17	Window to Screen Seal Pile	1	896218			17
18	Stationary Glass Vertical Bar	1	896219			18
19	Stationary Glass	1	896220	899095		19
20	Window Center Vinyl Seal	1	896221			20
21	Sliding Window Vertical Bar	1	896222			21
22	Vertical Bar Screw	2	896223			22
23	Seal Pile—Vertical	1	896224			23
24	Sliding Glass	1	896225	899096		24
25	Vinyl Glass Glazing—121-1/2"	2	896226			25
26	Sliding Window Frame	1	896227			26
27	Sliding Window Seal Pile—102"	1	896228			27
28	Window Latch	1	896209			28
	Window Latch Spring	1	890653			
29	Vertical Bar Screw	2	57G-810R			29
30	Window Mounting Weather Strip—220"	2	138667			30
31	Window Mounting Filler Strip—220"	2	138668			31
32	Quarter Window Seal—L.H.	1	1630603			32
	Quarter Window Seal—R.H.	1	1630604			

CORTEZ DIVISION



**CORTEZ DIVISION**

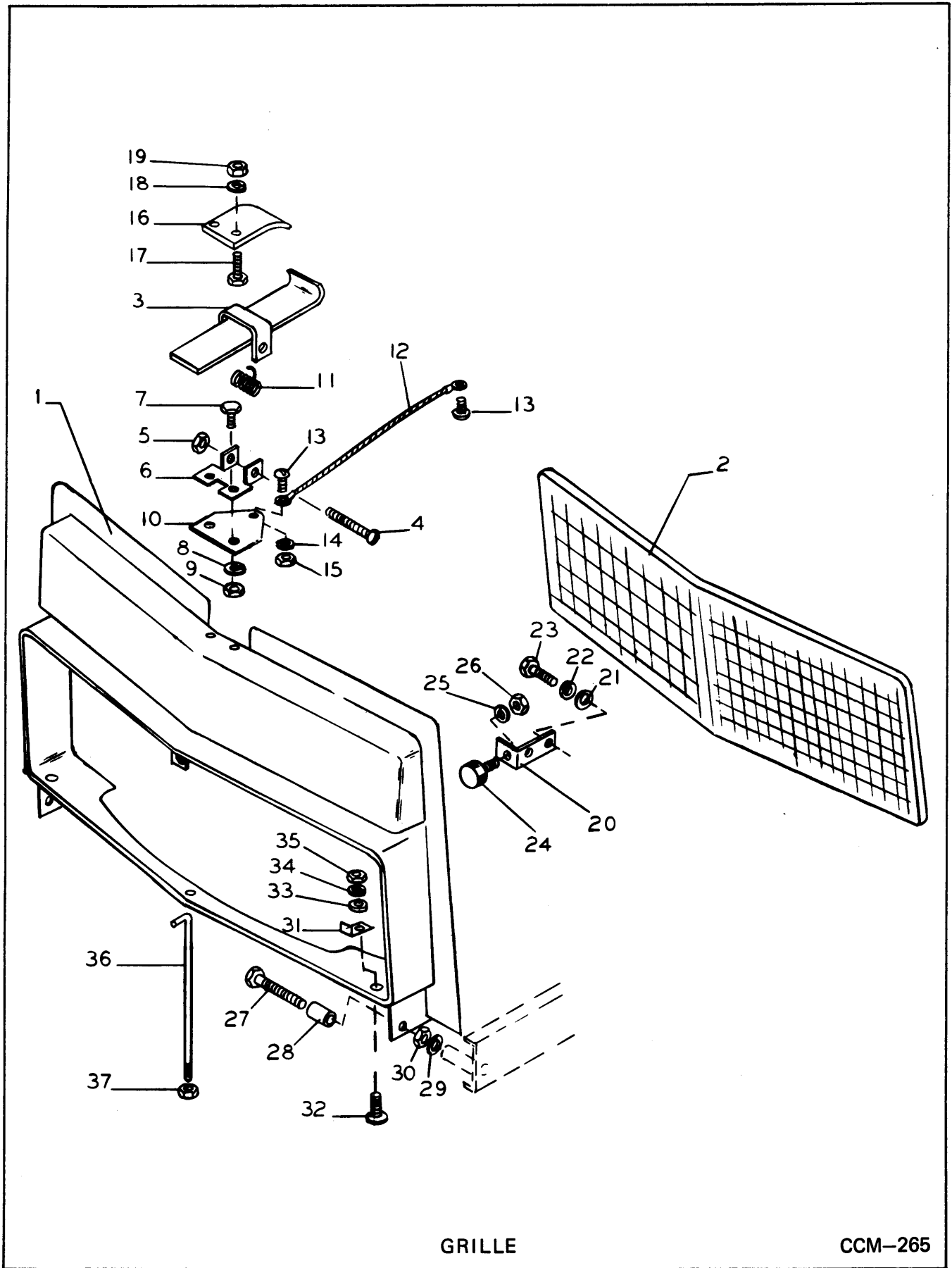
ITEM	WINDOWS AND SCREENS (CONT'D) (Use Illustration CCM-264)	REQUIRED	Serial No. 501-2200						ITEM
	DESCRIPTION								
33	Quarter Window—L.H.	1	1616248						33
	Quarter Window—R.H.	1	1616249						
34	Windshield—L.H.	1	1616250						34
35	Windshield—R.H.	1	1616251						35
36	Windshield Weatherstrip—250"	2	1630605						36
37	Windshield Filler Strip—250"	2	138668						37

CC-139

362

January 1, 1968

# CORTEZ DIVISION



GRILLE

CCM-265

**CORTEZ DIVISION**

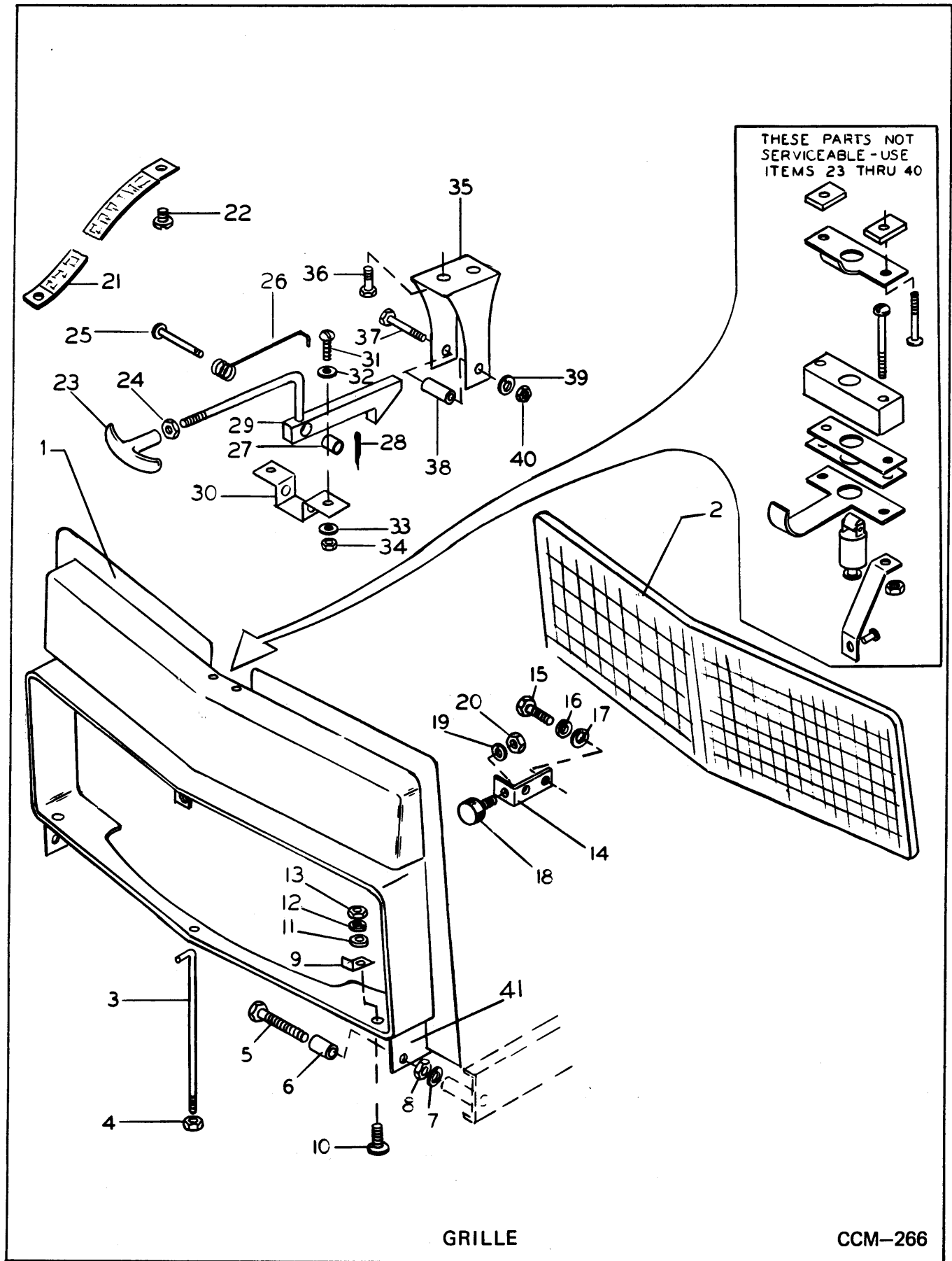
ITEM	GRILLE (Use Illustration CCM-265)	REQUIRED	Serial No. 1-100						ITEM
	DESCRIPTION								
1	Grille	1	1616334						1
2	Mesh	1	337196						2
3	Latch	1	337158						3
4	Latch Pivot Bolt	1	3G-1028						4
5	Latch Pivot Bolt Nut	1	50D-10						5
6	Bracket, Latch	1	337159						6
7	Latch Bracket Mounting Bolt	2	1C-412						7
8	Latch Bracket Mounting Lockwasher	2	4E-04						8
9	Latch Bracket Mounting Nut	2	1D-04						9
10	Grille Stop Cable Bracket	1	1613931						10
11	Spring	1	337162						11
12	Grille Stop Cable	1	1613932						12
13	Screw	2	3G-1008						13
14	Lockwasher	2	14E-10						14
15	Nut	2	12D-10						15
16	Catch	1	337161						16
17	Bolt	2	1C-408						17
18	Lockwasher	2	4E-04						18
19	Nut	2	1D-04						19
20	Bracket, Grille Snubber	2	1616253						20
21	Bracket, Mounting Washer		664402						21
22	Bracket, Mounting Lockwasher		4E-05						22
23	Bracket, Mounting Bolt		61G-508						23
24	Grille Snubber	2	317794						24
25	Snubber Mounting Lockwasher	2	4E-05						25
26	Snubber Mounting Nut	2	7D-05						26
27	Grille Mounting Bolt	2	1C-624						27
28	Grille Mounting Bushing	2	1615237						28
29	Grille Mounting Lockwasher	2	4E-06						29
30	Grille Mounting Bolt	2	1D-06						30
31	Grille Mesh Clip	2	1614170						31
32	Screw	2	76G-412						32
33	Washer	2	664402						33
34	Lockwasher	2	4E-04						34
35	Nut	2	1D-04						35
36	Mesh Support Rod	1	1614799						36
37	Mesh Support Rod Nut	2	12D-10						37

CC-139

365

January 1, 1968

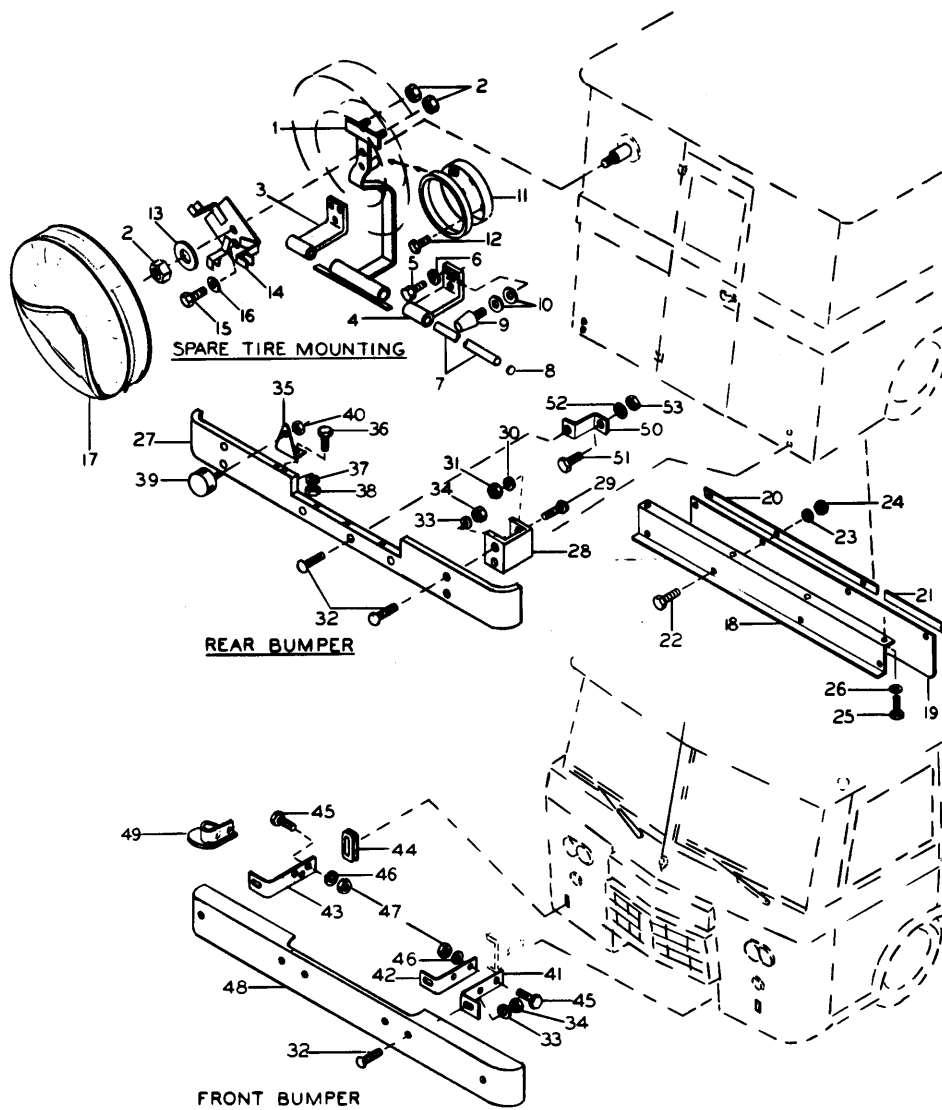
# CORTEZ DIVISION



ITEM	GRILLE (Use Illustration CCM-266)	REQUIRED	Serial No. 101-500	Serial No. 501-905	Serial No. 906-1800	Serial No. 1801-2200	ITEM
	DESCRIPTION						
1	Grille	1	1630689	1649398	1667017	1673482	1
2	Mesh	1	337196	1649399		1689934	2
3	Support Rod	1	1614799			Not Used	3
4	Support Rod Nut	2	12D-10			Not Used	4
5	Grille Mounting Bolt	2	1C-624				5
6	Grille Mounting Bushing	2	1631307			1693748	6
7	Grille Mounting Washer	2	664423				7
8	Grille Mounting Nut	2	28D-06				8
9	Mesh Clip	2	1614170			Not Used	9
10	Clip Bolt	2	76G-412				10
11	Clip Washer	2	664402				11
12	Clip Lockwasher	2	4E-04				12
13	Clip Nut	2	1D-04				13
14	Bracket, Grille Snubber	2	1616253				14
15	Grille Snubber Bracket Bolt	4	61G-0508	61G-0510			15
16	Grille Snubber Bracket Lockwasher	4	4E-05				16
17	Grille Snubber Bracket Washer	4	664402				17
18	Grille Snubber	2	317794				18
19	Snubber Mounting Lockwasher	2	4E-05				19
20	Snubber Mounting Nut	2	7D-05				20
21	Grille Stop Strap	1	1628333				21
22	Grille Stop Strap Screw	1	59G-1008				22
23	Grille Latch Knob	1	337010				23
24	Knob Jam Nut	1	8D-05				24
25	Clevis Pin	1	1306005				25
26	Spring	1	337405				26
27	Spacer	1	1305993				27
28	Cotter Pin	1	1F-408				28
29	Release Lever	1	1634185				29
30	Bracket, Pivot	1	1634189				30
31	Pivot Bracket Mounting Bolt	2	79G-1012				31
32	Pivot Bracket Mounting Washer	2	664419				32
33	Pivot Bracket Mounting Lockwasher	2	15E-10				33
34	Pivot Bracket Mounting Nut	2	12D-10				34
35	Grille Latch Catch	1	1634188				35
36	Catch Mounting Screw	2	14G-1408				36
37	Catch Bolt	1	1C-428				37
38	Catch Spacer	1	650065				38
39	Catch Lockwasher	1	4E-04				39
40	Catch Nut	1	1D-04				40
41	Bracket Grille	2				1673494	41

CORTEZ DIVISION

# CORTEZ DIVISION



BUMPER AND TIRE MOUNTING

CCM-267

ITEM	BUMPER & TIRE MOUNTING (Use Illustration CCM-267)	REQUIRED	Serial No. 1-500	Serial No. 501-905					ITEM
	DESCRIPTION								
1	Wheel Mounting Strap Assembly	1	1616259						1
2	Wheel Mounting Nut	3	114133						2
3	Bracket, Hinge—L.H.	1	1616265						3
4	Bracket, Hinge—R.H.	1	1616259	1616262					4
5	Hinge Bracket Mounting Bolt	6	1C-620						5
6	Hinge Bracket Mounting Lockwasher	6	4E-06						6
7	Hinge Pin	1	1616335						7
8	Hinge Pin Plug	2	12F-012						8
9	Rubber Bumper	2	610967						9
10	Rubber Bumper Washer	6	616779	1307263					10
11	Spacer Assembly	1	1630613						11
12	Spacer Mounting Screw	4	61G-0412						12
13	Washer	1	664425						13
14	Power Supply Cable Support	1	1628331						14
15	Lock Bolt	1	9G-1032						15
16	Lockwasher	1	4E-10						16
17	Spare Wheel Cover	1	1628383						17
18	Mud Guard Mounting Bracket	1	1630636						18
19	Mud Guard	1	1628306	1644301					19
20	Mud Guard Backing Strip—L.H.	1	1628305						20
21	Mud Guard Backing Strip—R.H.	1	1630697						21
22	Mud Guard Mounting Bolt	8	1C-416						22
23	Mud Guard Mounting Lockwasher	8	4E-06						23
24	Mud Guard Mounting Nut	8	1D-06						24
25	Mud Guard Mounting Bracket Bolt	10	1C-512						25
26	Mud Guard Mounting Bracket Washer	10	664422						26
27	Rear Bumper	1	1698769						27
28	Bracket, Rear Bumper—R.H.	1	1698477						28
	Bracket, Rear Bumper—L.H.	1	1698478						
29	Bumper Bracket Mounting Bolt	7	1C-824						29
30	Bumper Bracket Mounting Lockwasher	7	4E-08						30
31	Bumper Bracket Mounting Nut	7	1D-08						31
32	Bumper Mounting Bolt	13	7C-824						32
33	Bumper Mounting Lockwasher	13	4E-08						33
34	Bumper Mounting Nut	13	1D-08						34
35	Bracket, Spare Tire Bumper	1	1620327						35
36	Bumper Bracket Bolt	2	1C-614						36
37	Bumper Bracket Lockwasher	2	4E-06						37
38	Bumper Bracket Nut	2	7D-06						38

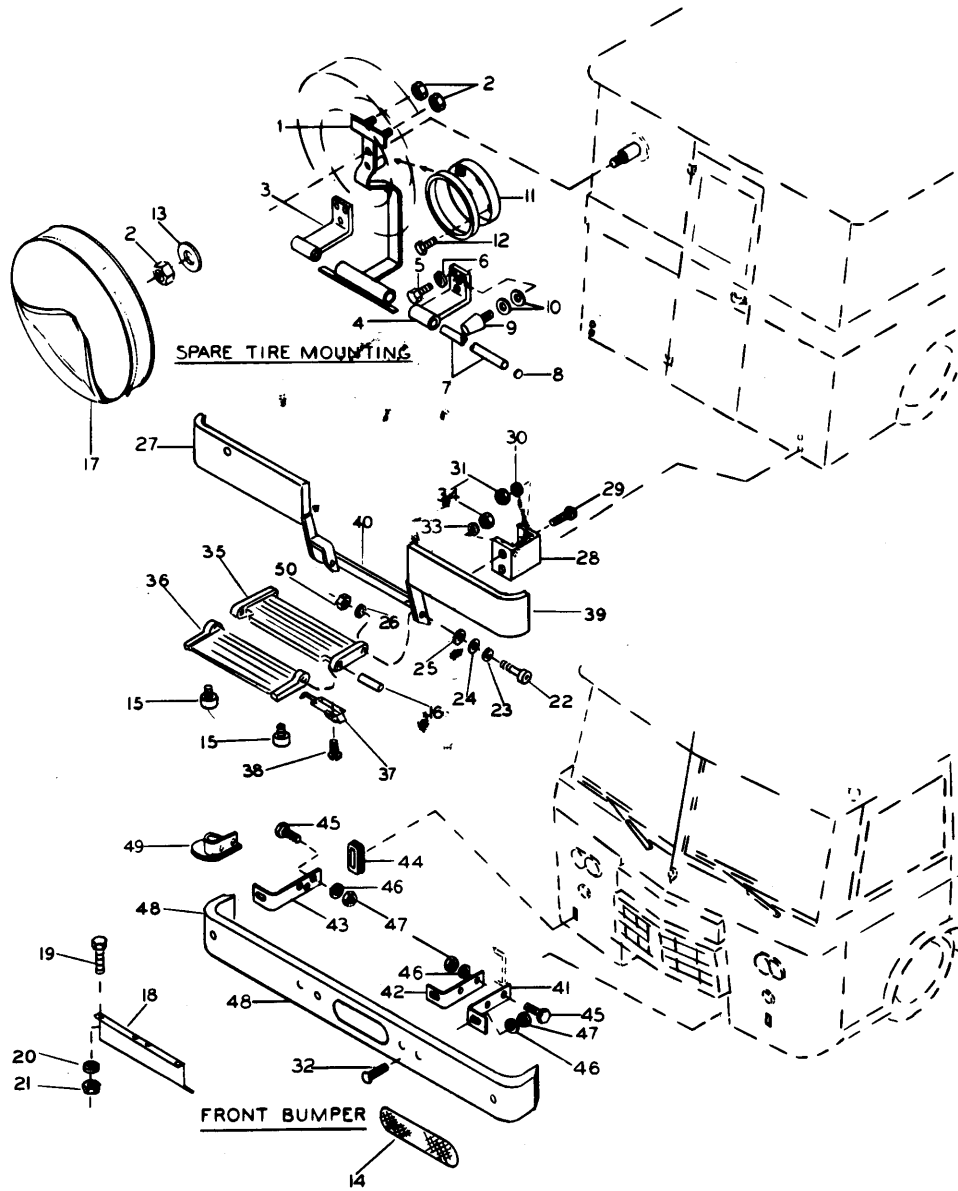
CORTEZ DIVISION

ITEM	BUMPER & TIRE MOUNTING (CONT'D) (Use Illustration CCM-267)	REQUIRED	Serial No. 1-500	Serial No. 501-905					ITEM
	DESCRIPTION								
39	Spare Tire Bumper	1	317794						39
40	Spare Tire Bumper Nut	1	7D-05						40
41	Bracket, Bumper Mounting	2	337137						41
42	Bracket, Bumper Mounting	2	337191						42
43	Bracket, Bumper Mounting	2	337163						43
44	Bumper Mounting Bracket Grommet	2	1698674						44
45	Bumper Bracket Bolt	8	1C-724						45
46	Bumper Bracket Lockwasher	8	4E-07						46
47	Bumper Bracket Nut	8	1D-07						47
48	Front Bumper	1	1698445						48
49	Bracket, Front Bumper—R.H.	1	1613870						49
	Bracket, Front Bumper—L.H.	1	1613871						
50	Bracket, Rear Center Bumper	3		1698778					50
51	Bracket, Mounting Bolt	3		1C-716					51
52	Bracket, Mounting Lockwasher	3		3E-07					52
53	Bracket, Mounting Nut	3		1D-07					53

CORTEZ DIVISION



# CORTEZ DIVISION



BUMPER AND TIRE MOUNTING

CCM-268

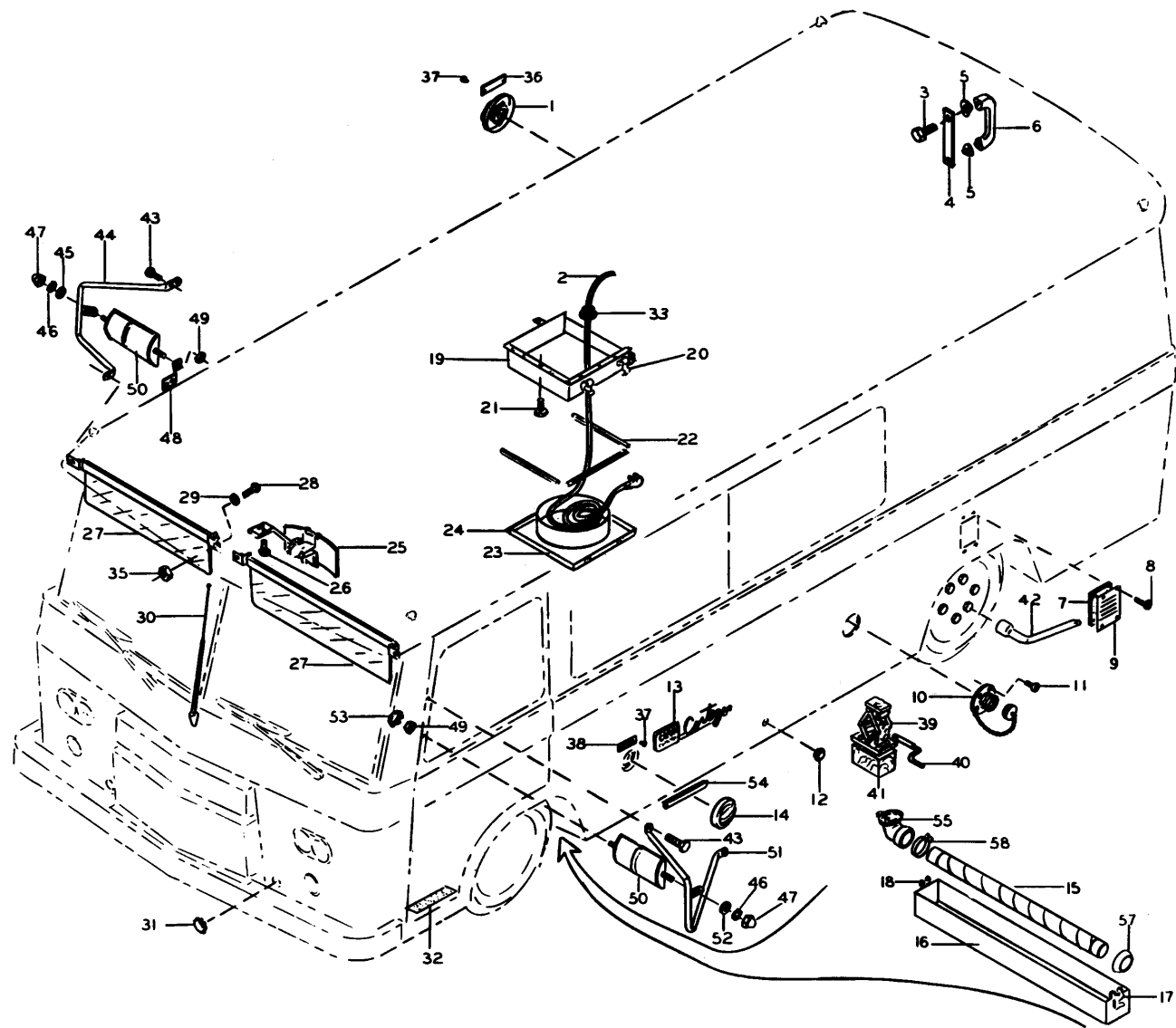
ITEM	BUMPER AND TIRE MOUNTING (Use Illustration CCM-268)	REQUIRED	Serial No.	Serial No.	Serial No.				ITEM
	DESCRIPTION		906-1405	1406-1800	1801-2200				
1	Wheel Mounting Strap Assembly	1	1616259		1693925				1
2	Wheel Mounting Nut	3	114133		1693655				2
3	Bracket, Hinge—L.H.	1	1616265						3
4	Bracket, Hinge—R.H.	1	1616262						4
5	Hinge Bracket Mounting Bolt	6	1C-620						5
6	Hinge Bracket Mounting Lockwasher	6	9E-06						6
7	Hinge Pin	1	1616335						7
8	Hinge Pin Plug	2	12F-012						8
9	Rubber Bumper	2	610967						9
10	Rubber Bumper Washer	6	1307263						10
11	Spacer Assembly	1	1630613		1706735				11
12	Spacer Mounting Screw	4	61G-0412						12
13	Washer	1	664425						13
14	Bumper Grille	1	1667102						14
15	Rear Step Lower Bumper	2	1667131						15
16	Pin	2	1667132						16
17	Spare Wheel Cover	1	1628383	1693083	1706794				17
18	Radiator Shield	1	1685515						18
19	Bolt	4	1C-612						19
20	Lockwasher	4	8E-06						20
21	Nut	4	63D-06						21
22	Bolt Step to Frame	2	682721						22
23	Washer—Plain	2	655631						23
24	Washer—Spring	2	1673423						24
25	Washer—Plain	2	655630						25
26	Lockwasher	2	4E-06						26
27	Rear Bumper—L.H.	1	1667137						27
28	Bracket, Rear Bumper—R.H.	2	1698477						28
	Bracket, Rear Bumper—L.H.	2	1698478						
29	Bumper Bracket Mounting Bolt	8	1C-824						29
30	Bumper Bracket Mounting Lockwasher	8	4E-08						30
31	Bumper Bracket Mounting Nut	8	1D-08						31
32	Bumper Mounting Bolt	14	7C-824						32
33	Bumper Mounting Lockwasher	14	4E-08						33
34	Bumper Mounting Nut	14	1D-08						34
35	Inner Step	1	1667125						35
36	Outer Step	1	1667126						36
37	Latch Rear Step	1	1667129						37
38	Screw	2	65G-1006						38

CORTEZ DIVISION

ITEM	BUMPER AND TIRE MOUNTING (CONT'D) (Use Illustration CCM-268)	REQUIRED	Serial No. 906-2200						ITEM
	DESCRIPTION								
39	Rear Bumper—R.H.	1	1667136						39
40	Bracket, Rear Step	1	1667133						40
41	Bracket, Bumper Mounting	2	337137						41
42	Bracket, Bumper Mounting	2	337191						42
43	Bracket, Bumper Mounting	2	337163						43
44	Bumper Mounting Bracket Grommet	2	1698674						44
45	Bumper Bracket Bolt	8	1C-724						45
46	Bumper Bracket Lockwasher	8	4E-07						46
47	Bumper Bracket Nut	8	1D-07						47
48	Front Bumper (Includes Item 18)	1	1673018						48
49	Bracket, Front Bumper—R.H.	1	1613870						49
	Bracket, Front Bumper—L.H.	1	1613871						

CORTEZ DIVISION

# CORTEZ DIVISION



BODY ACCESSORIES

CCM-269

CC-139

376

January 1, 1968

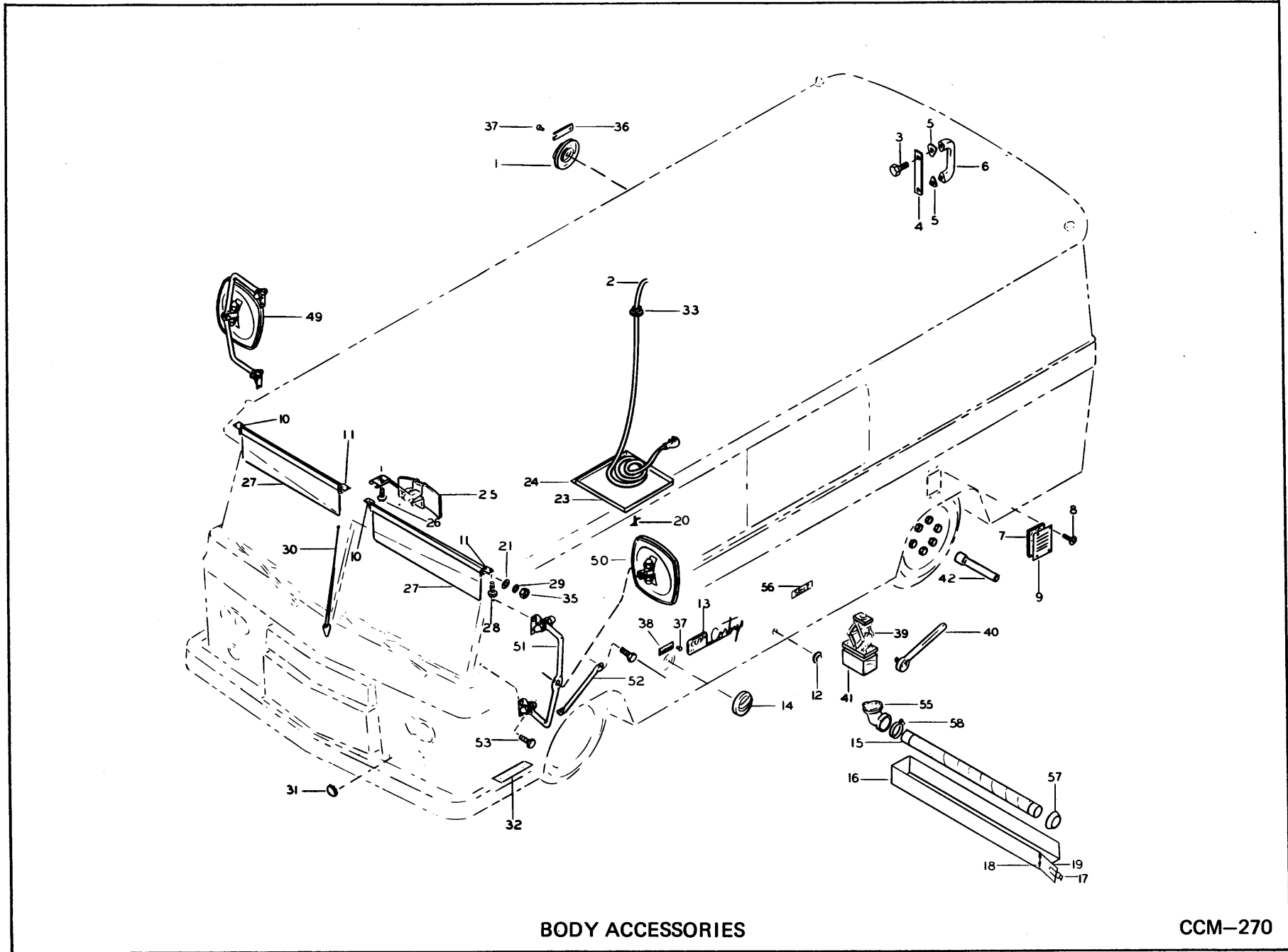
ITEM	BODY ACCESSORIES (Use Illustration CCM-269)	REQUIRED	Serial No. 501-905						ITEM
	DESCRIPTION								
1	Gas Tank Cap (Chrome)	1	1649383						1
2	Power Cord Assembly	1	1649356						2
3	Grab Rail Bolt	2	2G-1010						3
4	Grab Rail Backing Strip	1	1305164						4
5	Grab Rail Gasket	2	1630601						5
6	Grab Rail	1	1630600						6
7	Intake Vent Gasket	1	1616305						7
8	Intake Vent Mounting Screw	4	58G-1010						8
9	Intake Vent	1	896271						9
10	Inlet Fitting	1	1649324						10
11	Inlet Fitting Mounting Screw	2	66G-1012						11
12	Polarity Light	1	1644370						12
13	Cortez Emblem	3	1616201						13
14	Water Filler Cap	1	1644361						14
15	Septic Tank Drain Hose	1	1651079						15
16	Septic Hose Compartment Assembly (Includes Items 17 & 18)	1	1629258						16
17	Compartment Hasp	1	1633413						17
18	Compartment Hinge	1	1633414						18
19	Power Cable Box (Includes Items 20 & 22)	1	1644385						19
20	Power Cable Drop Lid Catch	2	1644397						20
21	Box Mounting Screw	7	58G-1006						21
	Box Mounting Screw	12	58G-1210						
22	Drop Lid Seal—Side (15-3/4")	2	1644396						22
	Drop Lid Seal—Side (15-1/8")	1	1644396						
23	Cable Drop Lid Assembly (Includes Item 24)	1	1644390						23
24	Drop Lid Hinge	1	1644395						24
25	Inside Rear View Mirror	1	1616247						25
26	Mirror Mounting Screw	1	65G-1008						26
27	Sun Visor	2	1660060						27
28	Sun Visor Mounting Screw	4	79G-1008N						28
29	Sun Visor Mounting Washer	4	664401						29
30	Antenna	1	896268						30
31	Plug Button (Chrome)	2	1304134						31
32	Safety Tread—Front Doors	2	1630641						32
33	Snap Bushing	1	1305926						33
34	Cortez Emblem Speed Nut	3	1304332						34
35	Sun Visor Mounting Nut	4	12D-10						35
36	Gasoline Fill Plate	1	1620302						36

ITEM	BODY ACCESSORIES (CONT'D) (Use Illustration CCM-269)	REQUIRED	Serial No. 501-905						ITEM
	DESCRIPTION								
37	Plate Mounting Pop Rivet	4	1623893						37
38	Water Fill Plate	1	1620303						38
39	Jack	1	1634386						39
40	Jack Handle	1	1634434						40
41	Jack Block	1	1634424						41
42	Lug Wrench	1	1616318						42
43	Arm and Anchor Screw	7	14G-1408N						43
44	Support Arm—R.H.	1	1638327						44
45	Washer—R.H.	1	664422						45
46	Lockwasher	4	9E-05						46
47	Acorn Nut—Outer	2	48D-05						47
48	Inner Anchor—R.H.	1	1638328						48
49	Inner Nut	2	1D-05						49
50	Exterior Mirror	2	1644303						50
51	Support Arm—L.H.	1	1638326						51
52	Washer—L.H.	1	664422						52
53	Plug Button	1	1306869						53
54	Vinyl Edging—17"	1	1623857						54
55	Septic Tank Drain Hose Adaptor Elbow	1	1651063						55
56	110-125 Volt Caution Tag	1	1616337						56
57	Rubber Seal Adaptor	1	1651076						57
58	Clamp	1	942792						58

CC-139

378

January 1, 1968



CORTEZ DIVISION

BODY ACCESSORIES

CCM-270

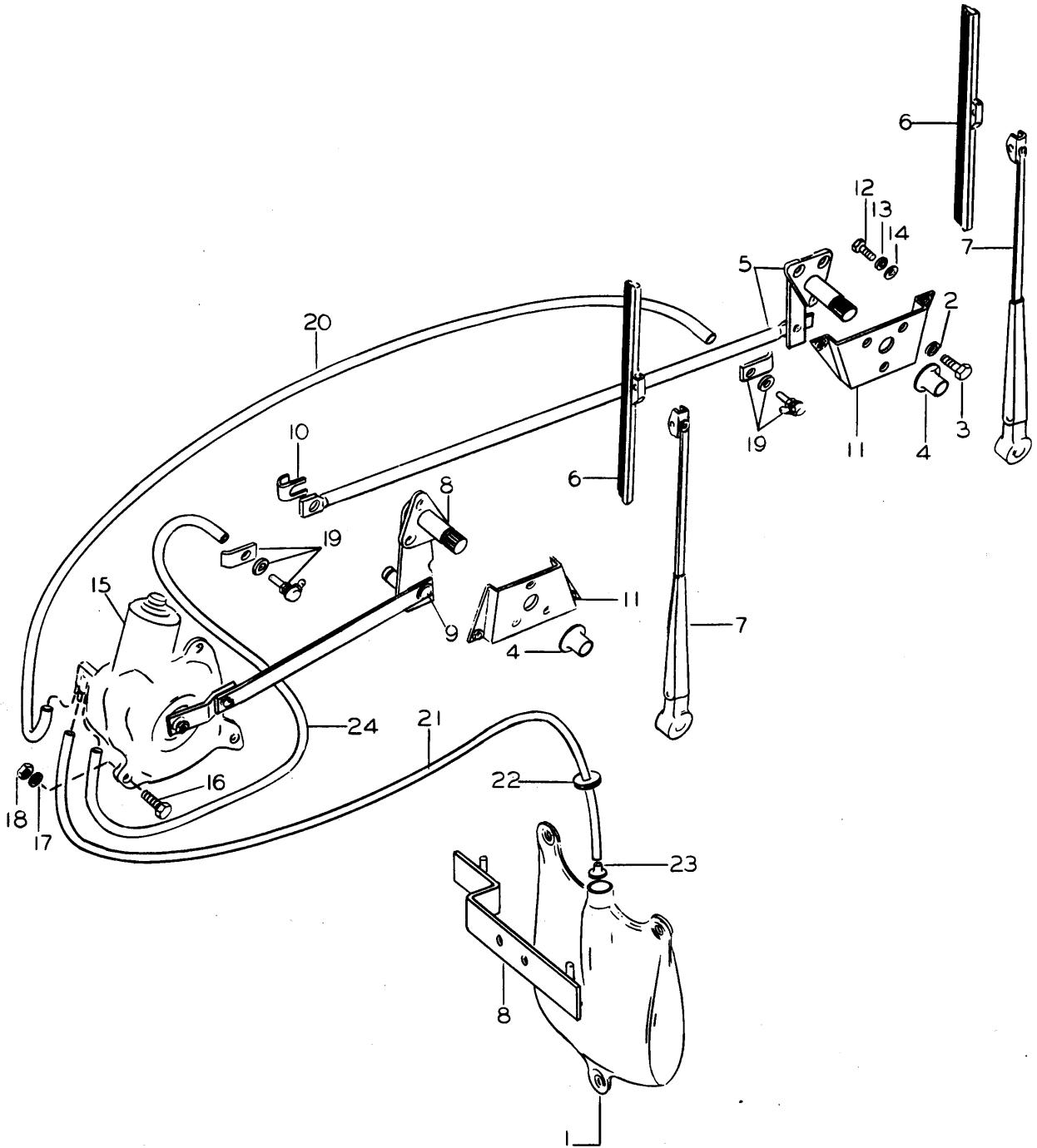
ITEM	BODY ACCESSORIES (Use Illustration CCM-270)	REQUIRED	Serial No. 906-1800	Serial No. 1801-2200					ITEM
	DESCRIPTION								
1	Gas Tank Cap (Chrome)	1	1649383						1
2	Power Cord Assembly	1	1649356						2
3	Grab Rail Bolt	2	2G-1010						3
4	Grab Rail Backing Strip	1	1305164						4
5	Grab Rail Gasket	2	1630601						5
6	Grab Rail	1	1630600						6
7	Intake Vent Gasket	1	1616305						7
8	Intake Vent Mounting Screw	4	58G-1010						8
9	Intake Vent	1	896271						9
10	Bracket, Side Visor Mounting—R.H.	2	1672608						10
11	Bracket, Side Visor Mounting—L.H.	2	1672607						11
12	Polarity Light	1	1644370						12
13	Cortez Emblem	3	1616207						13
14	Water Filler Cap	1	1644361						14
15	Septic Tank Drain Hose	1	1651079						15
16	Septic Hose Compartment Assembly (Includes Items 17 thru 19)	1	1667054						16
17	Compartment Hasp	1	1633413						17
18	Compartment Hinge	1	1673445						18
19	Compartment Door	1	1310157						19
20	Power Cable Drop Lid Catch	1	420219						20
21	Friction Washer	8	1672615						21
23	Cable Drop Lid	1	1667055						23
24	Drop Lid Hinge	1	1667048						24
25	Inside Rear View Mirror	1	1616247	1702899					25
26	Mirror Mounting Screw	1	4H-408J	4G-408					26
27	Sun Visor	2	1672763						27
28	Sun Visor Mounting Screw	8	18G-1008						28
29	Sun Visor Lockwasher	8	10E-04						29
30	Antenna	1	896268						30
31	Plug Button (Chrome)	2	1304134						31
32	Safety Tread—Front Doors	2	1630641						32
33	Snap Bushing	1	1305926						33
34	Cortez Emblem Speed Nut	3	1304332						34
35	Sun Visor Lock Nut	4	43D-04						35
36	Gasoline Fill Plate	1	1620302						36
37	Plate Mounting Pop Rivet	4	1623893						37
38	Water Fill Plate	1	1620303						38
39	Jack	1	1680472	1634386					39
40	Jack Handle and Wrench	1	1680945						40

CORTEZ DIVISION



ITEM	BODY ACCESSORIES (CONT'D) (Use Illustration CCM-270)	REQUIRED	Serial No. 906-2200						ITEM
	DESCRIPTION								
41	Jack Block	1	1634424						41
42	Wheel Nut Adaptor	1	1682666						42
49	Exterior Mirror Assembly (Includes Items 50 thru 52)	2	1660587						49
50	Exterior Mirror Head	2	896857						50
51	Support Arm	2	896858						51
52	Brace	2	896859						52
53	Screw	10	14G-1408						53
55	Septic Tank Drain Hose Adaptor Elbow	1	1651063						55
56	110-125 Volt Caution Tag	1	1616337						56
57	Rubber Seal Adaptor	1	1651076						57
58	Clamp	1	942792						58

# CORTEZ DIVISION

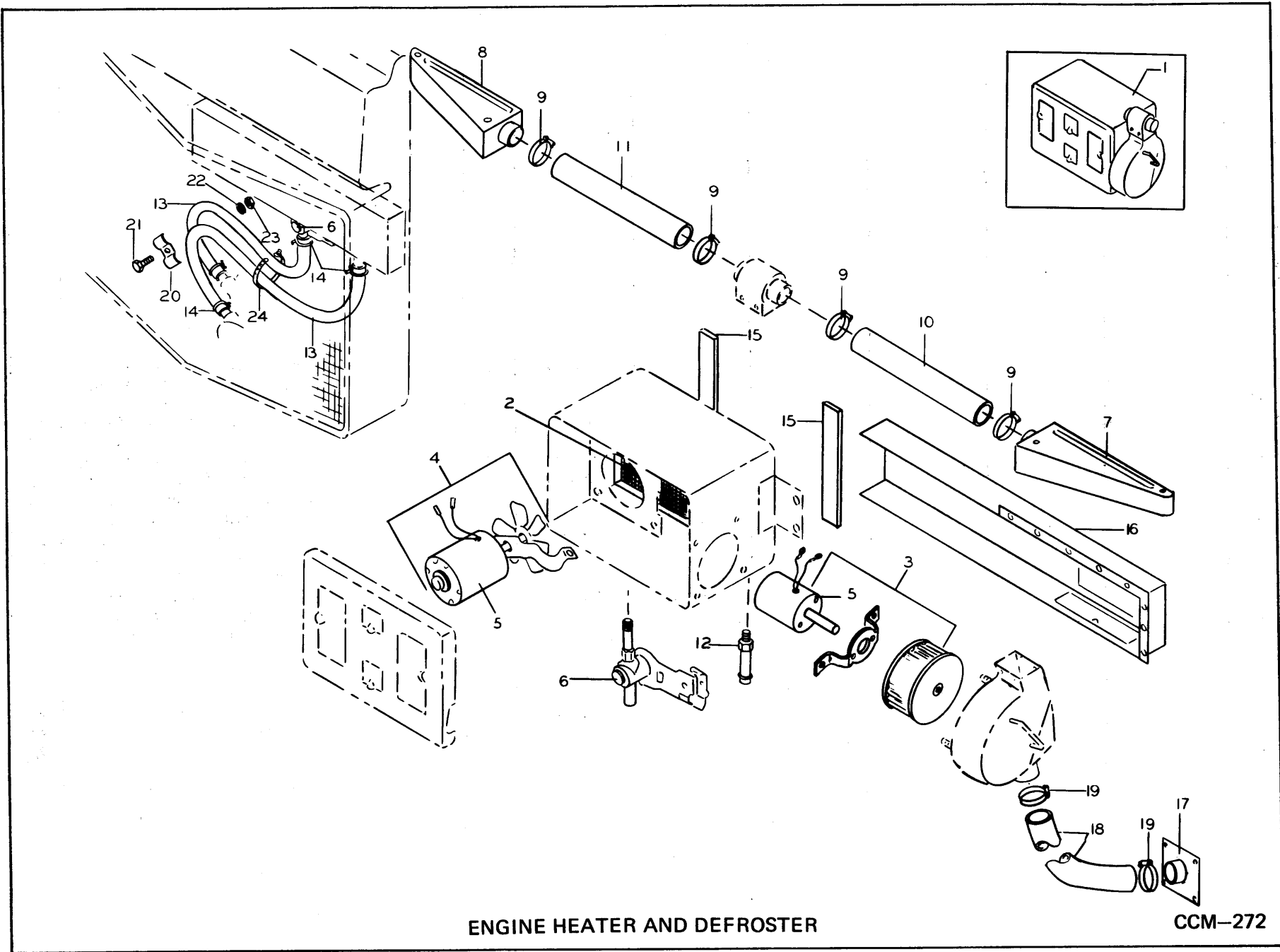


WINDSHIELD WIPER AND WASHER

CCM-271

ITEM	WINDSHIELD WIPER & WASHERS (Use Illustration CCM-271)	REQUIRED	Serial No.	Serial No.					ITEM
	DESCRIPTION		1-905	906-2200					
1	Reservoir	1	893074						1
2	Pivot Mounting Lockwasher	6	17E-10						2
3	Pivot Mounting Bolt	6	45G-1012						3
4	Wiper Seal	2	1616307						4
5	Connecting Link & Pivot Assembly	1	336977						5
6	Wiper Blade	2	337100						6
7	Wiper Arm	2	337099						7
8	Bracket, Reservoir	1	893075						8
9	Drive Link & Pivot Assembly	1	336964						9
10	Link Attaching Clip	2	1614997						10
11	Bracket, Pivot Mounting	2	337034						11
12	Bracket, Attaching Bolt	4	1C-412	1C-420					12
13	Bracket, Attaching Washer	4	664402						13
14	Bracket, Attaching Lockwasher	4	23E-04						14
15	Wiper Motor w/Pump	1	337031						15
16	Motor Mounting Bolt	3	45G-1016						16
17	Motor Mounting Lockwasher	3	17E-10						17
18	Motor Mounting Nut	3	12D-10						18
19	Washer Jet and Body	2	893076						19
20	Washer Jet Hose 3/16" Dia.	72"	893073						20
21	Pump Inlet Hose 1/4" Dia.	34"	351594						21
22	Reservoir Cap	1	893077						22
23	Reservoir Strainer	1	893078						23
24	Washer Jet Hose 3/16" Dia.	24"	893073						24

CORTEZ DIVISION



ENGINE HEATER AND DEFROSTER

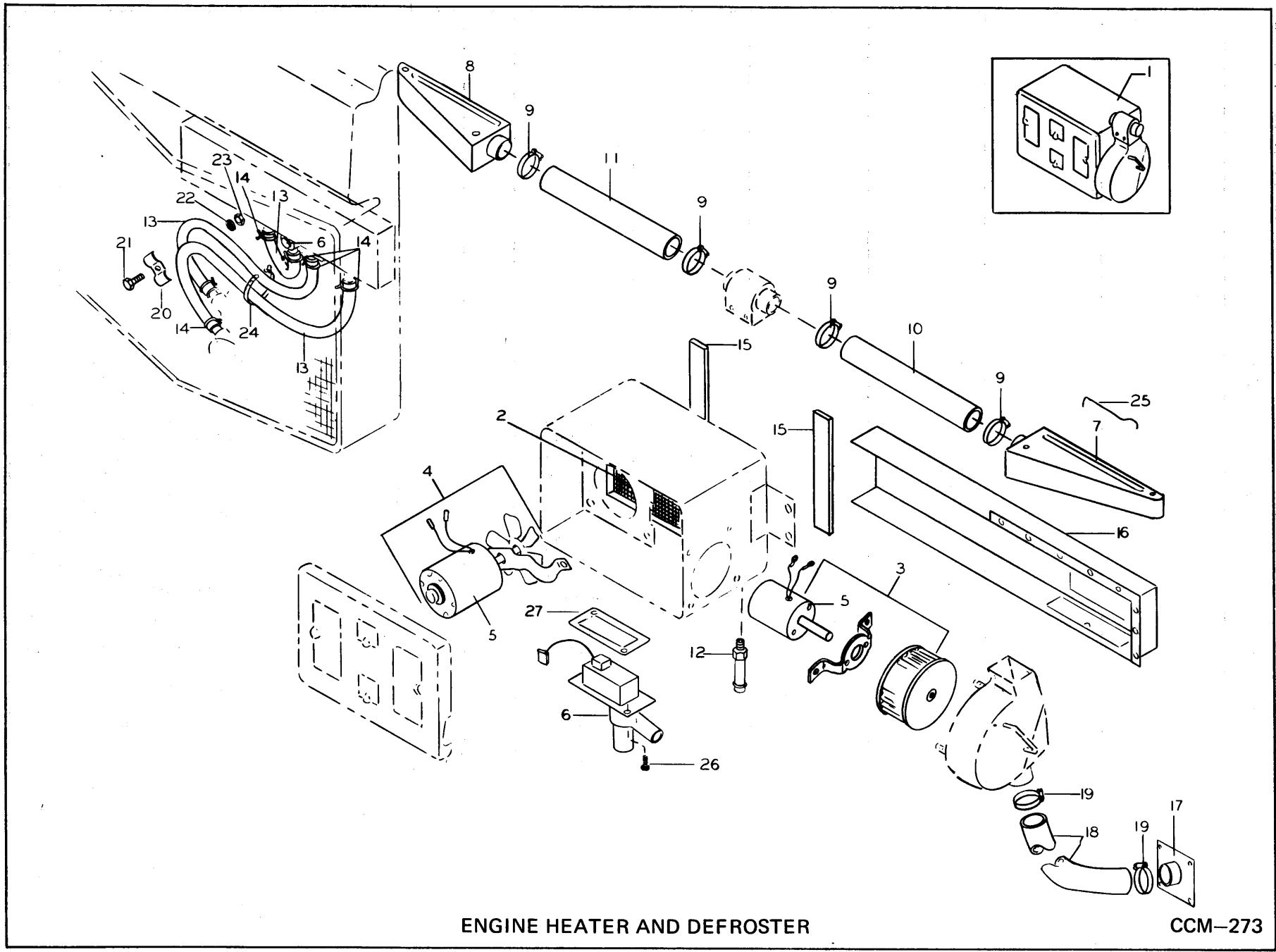
CCM-272

CC-139

386

January 1, 1968

ITEM	ENGINE HEATER & DEFROSTER (Use Illustration CCM-272)	REQUIRED	Serial No. 1-500	Serial No. 501-905					ITEM
	DESCRIPTION								
1	Heater Assembly—Complete	1	1616236						1
2	Heater Core	1	893664						2
3	Motor, Wheel and Bracket Assembly	1	893665						3
4	Motor, Fan and Bracket Assembly	1	893666						4
5	Motor Only	2	893667						5
6	Water Shut-Off Valve	1	337105						6
7	Defroster Vent—R.H.	1	1616220	1649352					7
8	Defroster Vent—L.H.	1	1616205	1649352					8
9	Hose Clamp	4	4H-48						9
10	Defroster Hose—R.H.	1	337059	889287					10
11	Defroster Hose—L.H.	1	337045	889287					11
12	Water Connector Tube	2	666866						12
13	Water Hose	2	337117						13
14	Hose Clamp	4	17H-16	17H-15					14
15	Seal	2	1616304						15
16	Air Duct Assembly	1	1616287	1649355					16
17	Louver Assembly	1	1616298						17
18	Hose	1	1616299						18
19	Hose Clamp	2	4H-48	4H-40					19
20	Heater Hose to Oil Filler Tube Clamp	1	726220						20
21	Clamp Bolt	1	1C-410						21
22	Clamp Bolt Lockwasher	1	4E-04						22
23	Clamp Bolt Nut	1	1D-04						23
24	Rubber Clamp Strap	1	694482						24



ENGINE HEATER AND DEFROSTER

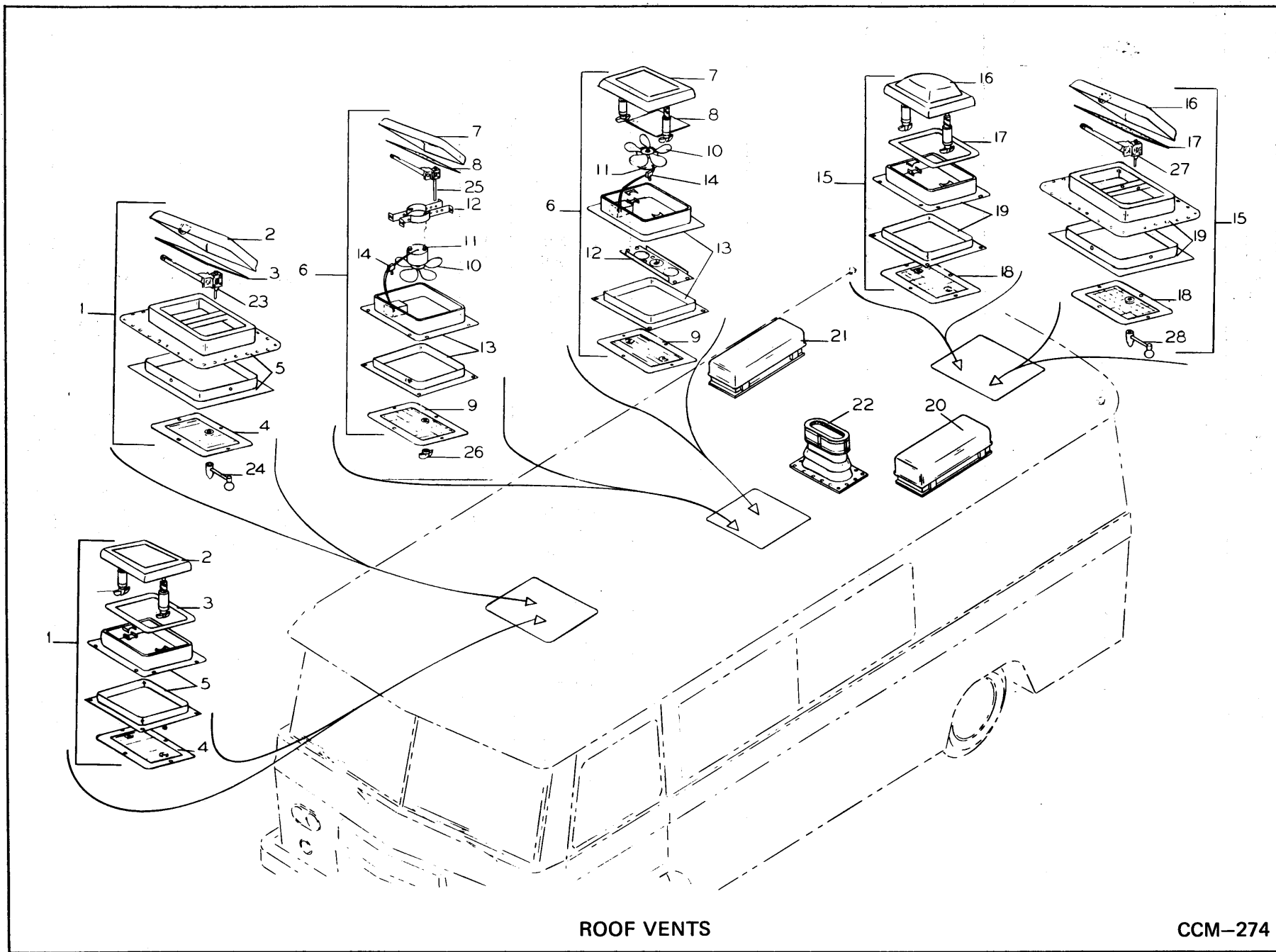
CCM-273

CC-1139

388

January 1, 1968

ITEM	ENGINE HEATER & DEFROSTER (Use Illustration CCM-273)	REQUIRED	Serial No. 906-2200						ITEM
	DESCRIPTION								
1	Heater Assembly—Complete	1	1616236						1
2	Heater Core	1	893664						2
3	Motor, Wheel and Bracket Assembly	1	893665						3
4	Motor, Fan and Bracket Assembly	1	893666						4
5	Motor Only	2	893667						5
6	Water Shut-Off Valve	1	1649350						6
7	Defroster Vent—R.H.	1	1649352						7
8	Defroster Vent—L.H.	1	1649352						8
9	Hose Clamp	4	4H-40						9
10	Defroster Hose—R.H.	16-1/2"	889287						10
11	Defroster Hose—L.H.	13-1/2"	889287						11
12	Water Connector Tube	2	666866						12
13	Water Hose								13
	Hose Heater—Outlet	40"	889269						
	Hose Heater Control—Inlet	38"	889269						
	Hose Heater Control—Outlet	10"	889269						
14	Hose Clamp	6	17H-15						14
15	Seal	2	1616304						15
16	Air Duct Assembly	1	1649355						16
17	Louver Assembly	1	1616298						17
18	Hose	1	1616299						18
19	Hose Clamp	2	4H-42						19
20	Clamp	1	726220						20
21	Bolt	1	1C-410						21
22	Lockwasher	1	4E-04						22
23	Nut	1	1D-04						23
24	Strap	1	694482						24
25	Defroster Vent Hold-Down Spring	2	1649368						25
26	Screw	2	59G-1008						26
27	Gasket	1	1649351						27



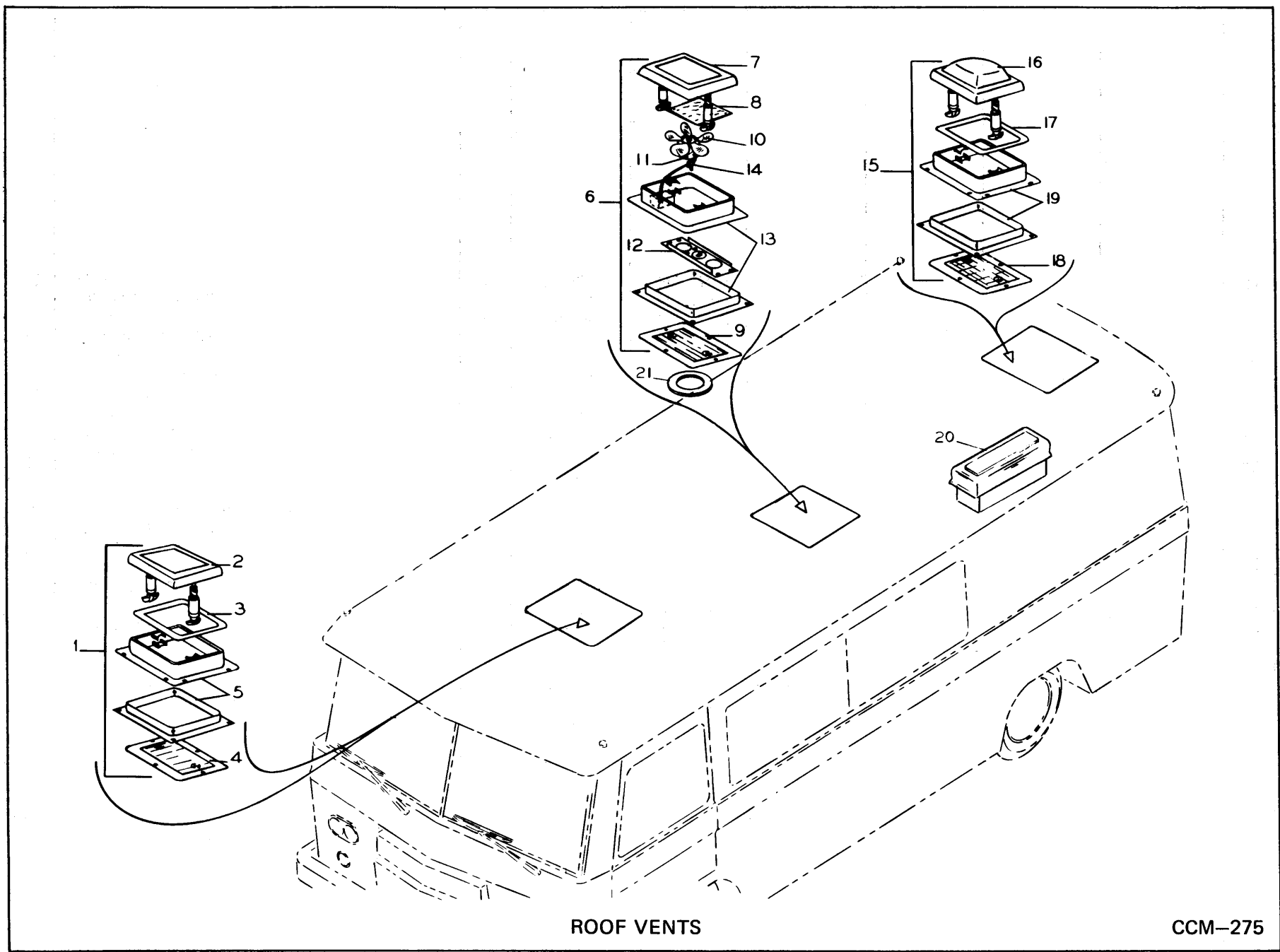
ROOF VENTS

CCM-274



ITEM	ROOF VENTS (Use Illustration CCM-274)	REQUIRED	Serial No. 1-100	Serial No. 101-350 401-500					ITEM
	DESCRIPTION								
1	Front Vent Assembly	1	336874	1630608					1
2	Lid Assembly (Includes Item 3)	1	894021	893957					2
3	Lid Gasket	1	N.S.S.	893958					3
4	Screen	1	894022	893959					4
5	Frame Assembly	1	N.S.S.	N.S.S.					5
6	Center Vent Assembly	1	336872	1630607					6
7	Lid Assembly (Includes Item 8)	1	894021	893957					7
8	Lid Gasket	1	N.S.S.	893958					8
9	Screen	1	893880	893960					9
10	Fan Blade	1	894025	893961					10
11	Fan Motor	1	894026	893962					11
12	Bracket, Motor		N.S.S.	N.S.S.					12
13	Frame Assembly		N.S.S.	N.S.S.					13
14	Fan Switch	1	894027	511606					14
15	Rear Vent Assembly	1	336875	1630606					15
16	Lid Assembly (Includes Item 17)	1	894029	893963					16
17	Lid Gasket	1	N.S.S.	893958					17
18	Screen	1	894022	893959					18
19	Frame Assembly		N.S.S.	N.S.S.					19
20	Water Heater Vent	1	1699427						20
21	Refrigerator Vent	1	1699427						21
22	Space Heater Vent	1	336816	1634491					22
23	Operator and Bar	1	894023	Not Used					23
24	Crank	1	894024	Not Used					24
25	Operator and Bar	1	894023	Not Used					25
26	Knob	1	894028	Not Used					26
27	Operator and Bar	1	894023	Not Used					27
28	Crank	1	894024	Not Used					28

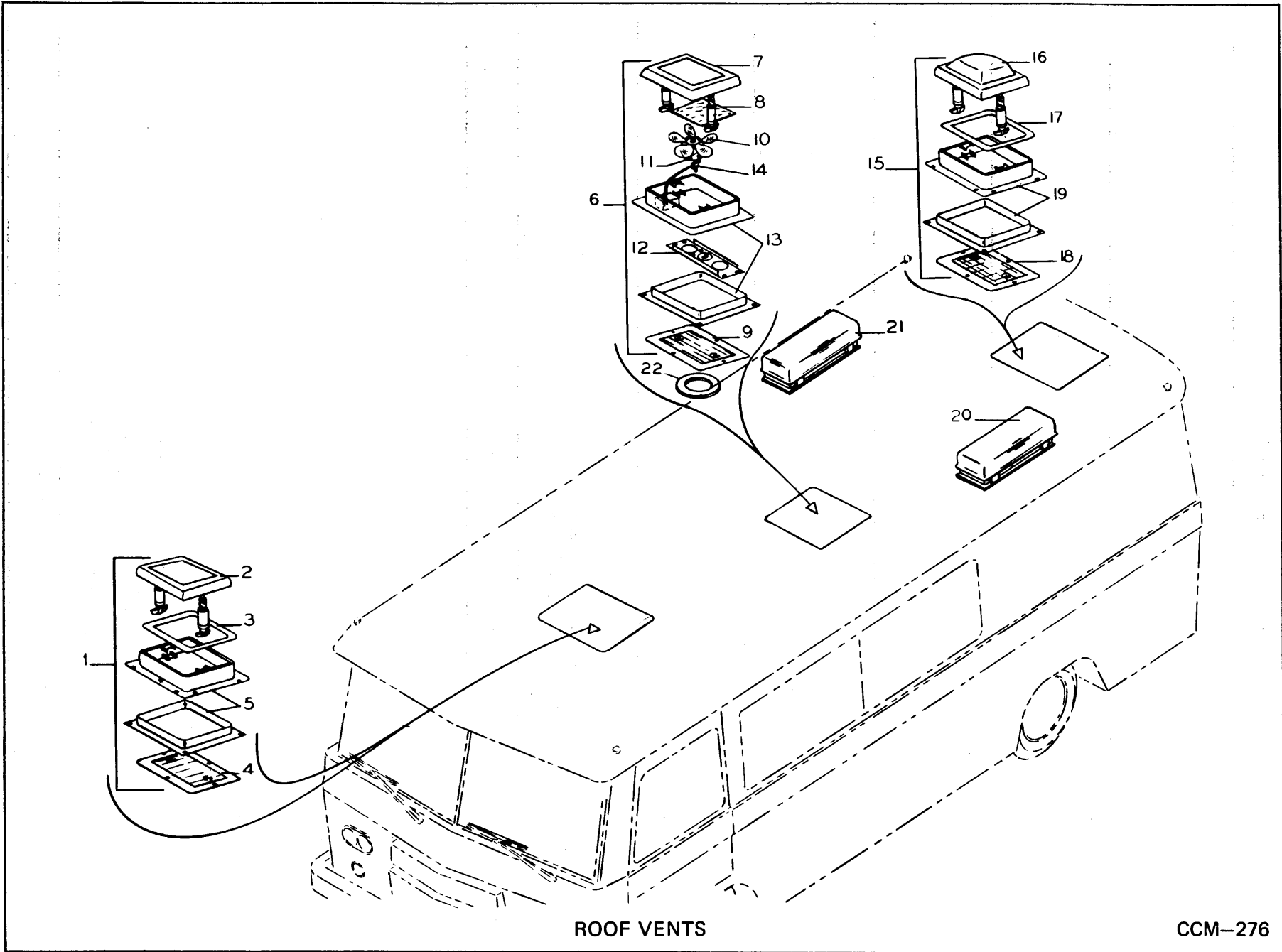
CORTEZ DIVISION



ROOF VENTS

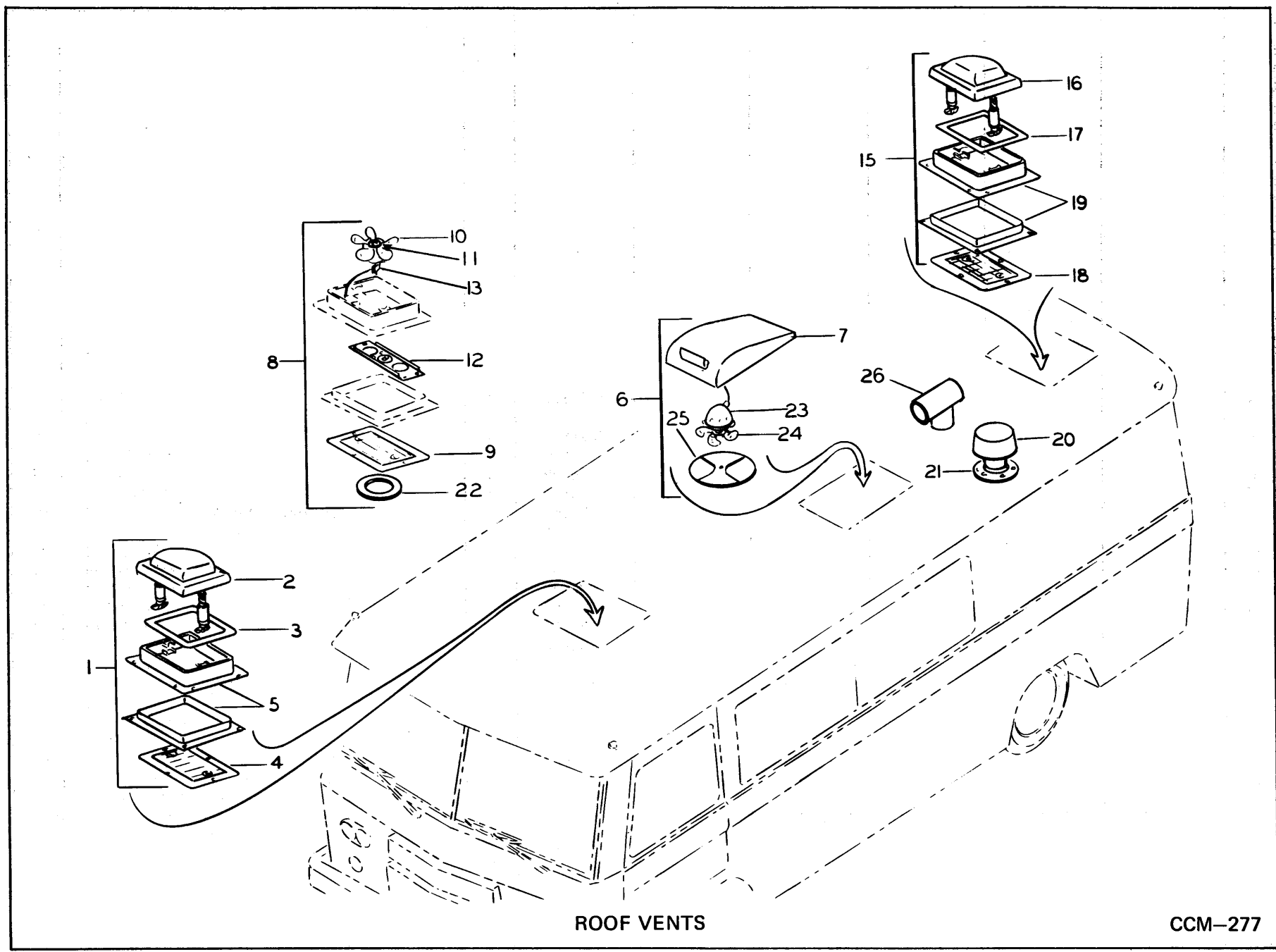
CCM-275

ITEM	ROOF VENTS (Use Illustration CCM-275)	REQUIRED	Serial No. 351-400						ITEM
	DESCRIPTION								
1	Front Vent Assembly	1	1630608						1
2	Lid Assembly (Includes Item 3)	1	893957						2
3	Lid Gasket	1	893958						3
4	Screen	1	893959						4
5	Frame Assembly	1	N.S.S.						5
6	Center Vent Assembly	1	1630607						6
7	Lid Assembly (Includes Item 8)	1	893957						7
8	Lid Gasket	1	893958						8
9	Screen	1	893960						9
10	Fan Blade	1	893961						10
11	Fan Motor	1	893962						11
12	Bracket, Motor	1	N.S.S.						12
13	Frame Assembly	1	N.S.S.						13
14	Fan Switch	1	511606						14
15	Rear Vent Assembly	1	1630606						15
16	Lid Assembly (Includes Item 17)	1	893963						16
17	Lid Gasket	1	893958						17
18	Screen	1	893959						18
19	Frame Assembly	1	N.S.S.						19
20	Sewage Vent	1	1633477						20
21	Plastic Cover—Vent Fan	1	1638289						21



ITEM	ROOF VENTS (Use Illustration CCM-276)	REQUIRED	Serial No. 501-905						ITEM
	DESCRIPTION								
1	Front Vent Assembly	1	1630608						1
2	Lid Assembly (Includes Item 3)	1	893957						2
3	Lid Gasket	1	893958						3
4	Screen	1	893959						4
5	Frame Assembly		N.S.S.						5
6	Center Vent Assembly	1	1630607						6
7	Lid Assembly (Includes Item 8)	1	893957						7
8	Lid Gasket	1	893958						8
9	Screen	1	893960						9
10	Fan Blade	1	893961						10
11	Fan Motor	1	893962						11
12	Bracket, Motor		N.S.S.						12
13	Frame Assembly		N.S.S.						13
14	Fan Switch	1	511606						14
15	Rear Vent Assembly	1	1630606						15
16	Lid Assembly (Includes Item 17)	1	893963						16
17	Lid Gasket	1	893958						17
18	Screen	1	893959						18
19	Frame Assembly		N.S.S.						19
20	Sewage Vent	1	1633477						20
21	Refrigerator Vent	1	1699427						21
22	Plastic Cover	1	1638289						22

CORTEZ DIVISION



ROOF VENTS

CCM-277

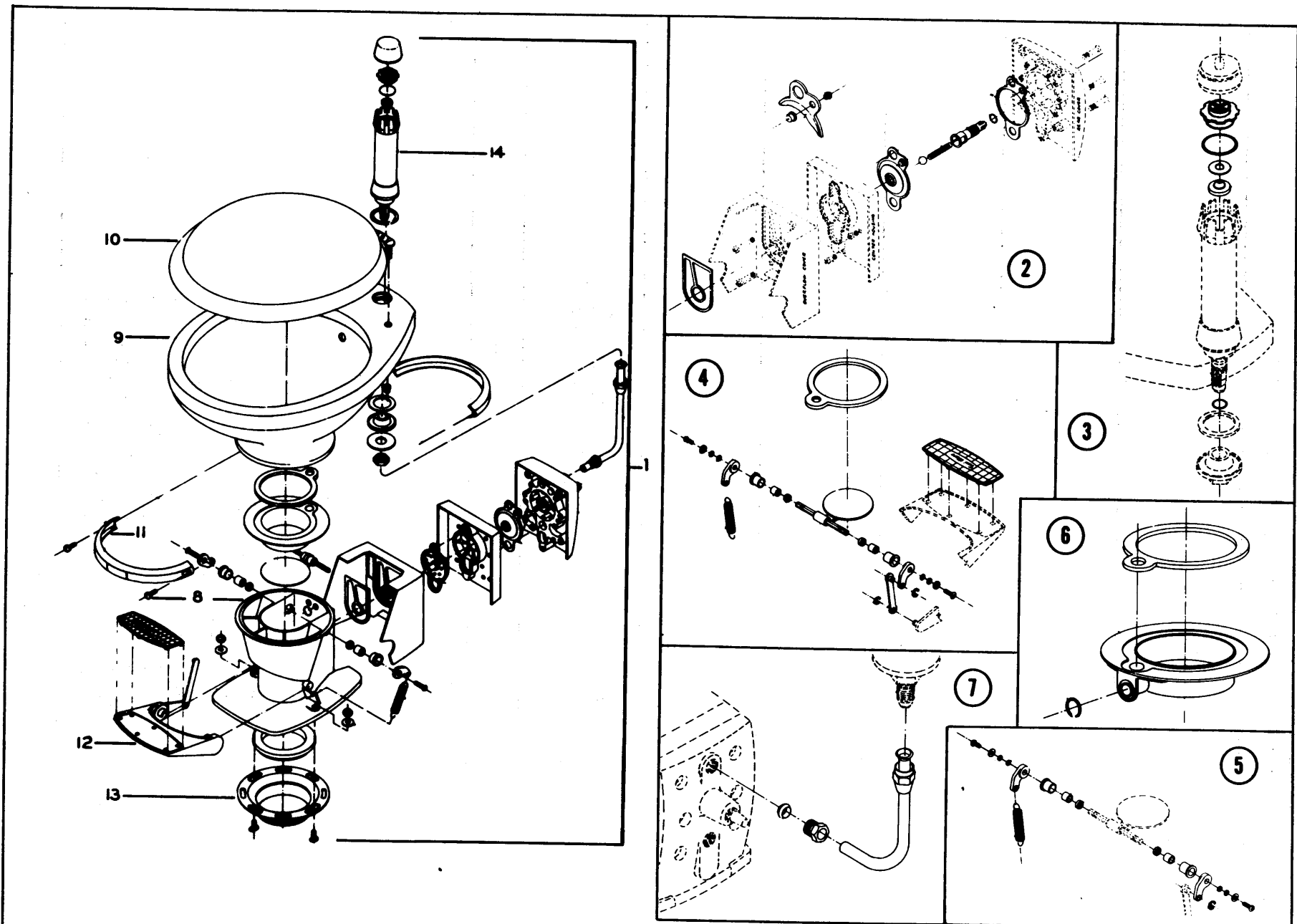
CORTEZ DIVISION

ITEM	ROOF VENTS (Use Illustration CCM-277)	REQUIRED	Serial No. 906-2200						ITEM
	DESCRIPTION								
1	Front Vent Assembly	1	1630606						1
2	Lid Assembly (Includes Item 3)	1	893963						2
3	Lid Gasket	1	893958						3
4	Screen	1	893959						4
5	Frame Assembly		N.S.S.						5
6	Exhaust Ventilation (Includes Items 7, 23 and 24)	1	1673716						6
7	Vent Cover	1	898737						7
8	Power Vent Kit (Optional) (Includes Items 9 thru 13)	1	1673771						8
9	Screen (Optional)	1	898479						9
10	Fan Blade (Optional)	1	893961						10
11	Fan Motor (Optional)	1	893962						11
12	Bracket, Motor (Optional)	1	898478						12
13	Fan Switch (Optional)	1	511606						13
15	Rear Vent Assembly	1	1630606						15
16	Lid Assembly (Includes Item 17)	1	893963						16
17	Lid Gasket	1	893958						17
18	Screen	1	893959						18
19	Frame Assembly		N.S.S.						19
20	Sewage Vent	1	1633477						20
21	Screw	4	18G-1006						21
22	Plastic Cover (Optional)	1	1638289						22
23	Motor	1	898738						23
24	Fan Blade	1	898739						24
25	Screen Kitchen Vent	1	1680322						25
26	Exhaust Stack	1	1654193						26

CC-139

397

January 1, 1968



SANI-WARE TOILET

CCM-278

CC-139

398

January 1, 1968



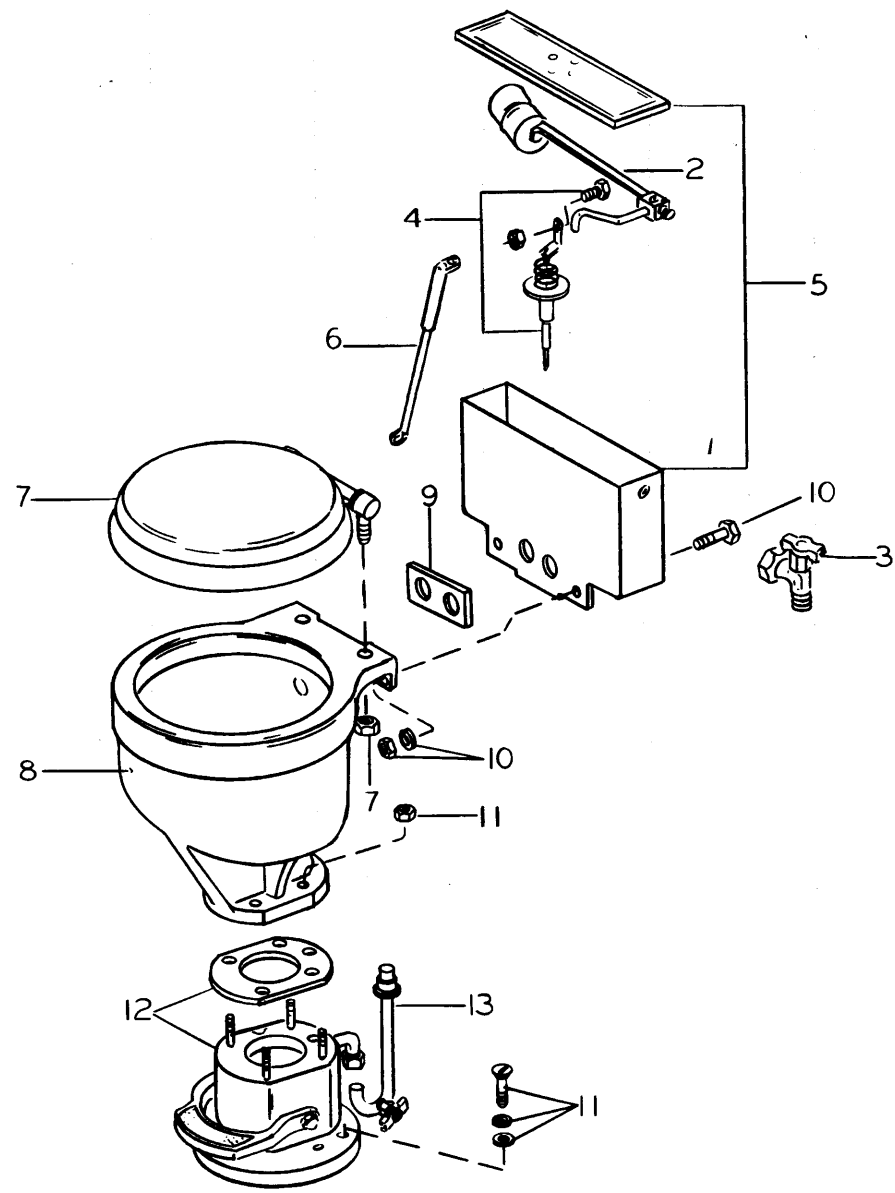
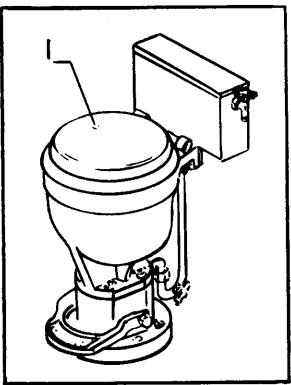
CORTEZ DIVISION

ITEM	SANI WARE TOILET (Use Illustration CCM-278)	REQUIRED	Serial No. 1-350						ITEM
	DESCRIPTION								
1	Toilet Assembly Complete	1	336845						1
2	Diaphragm Valve Repair Kit	1	894102						2
3	Vacuum Breaker Repair Kit	1	894103						3
4	Stopper and Linkage Repair Kit	1	894104						4
5	Bushing and Spring Repair Kit	1	894105						5
6	Stopper Seal & Overflow Repair Kit	1	894106						6
7	Plumbing Line Repair Kit	1	894107						7
8	Base Assembly Complete	1	894108						8
9	Bowl	1	***						9
10	Seat Assembly	1	894109						10
11	"V" Band Assembly	1	894110						11
12	Pedal Assembly	1	894111						12
13	Floor Flange	1	894112						13
14	Vacuum Breaker Assembly	1	894113						14
	*** PARTS NOT CARRIED IN STOCK								

CC-139

399

January 1, 1968



TOWNSEND TOILET

CCM-279

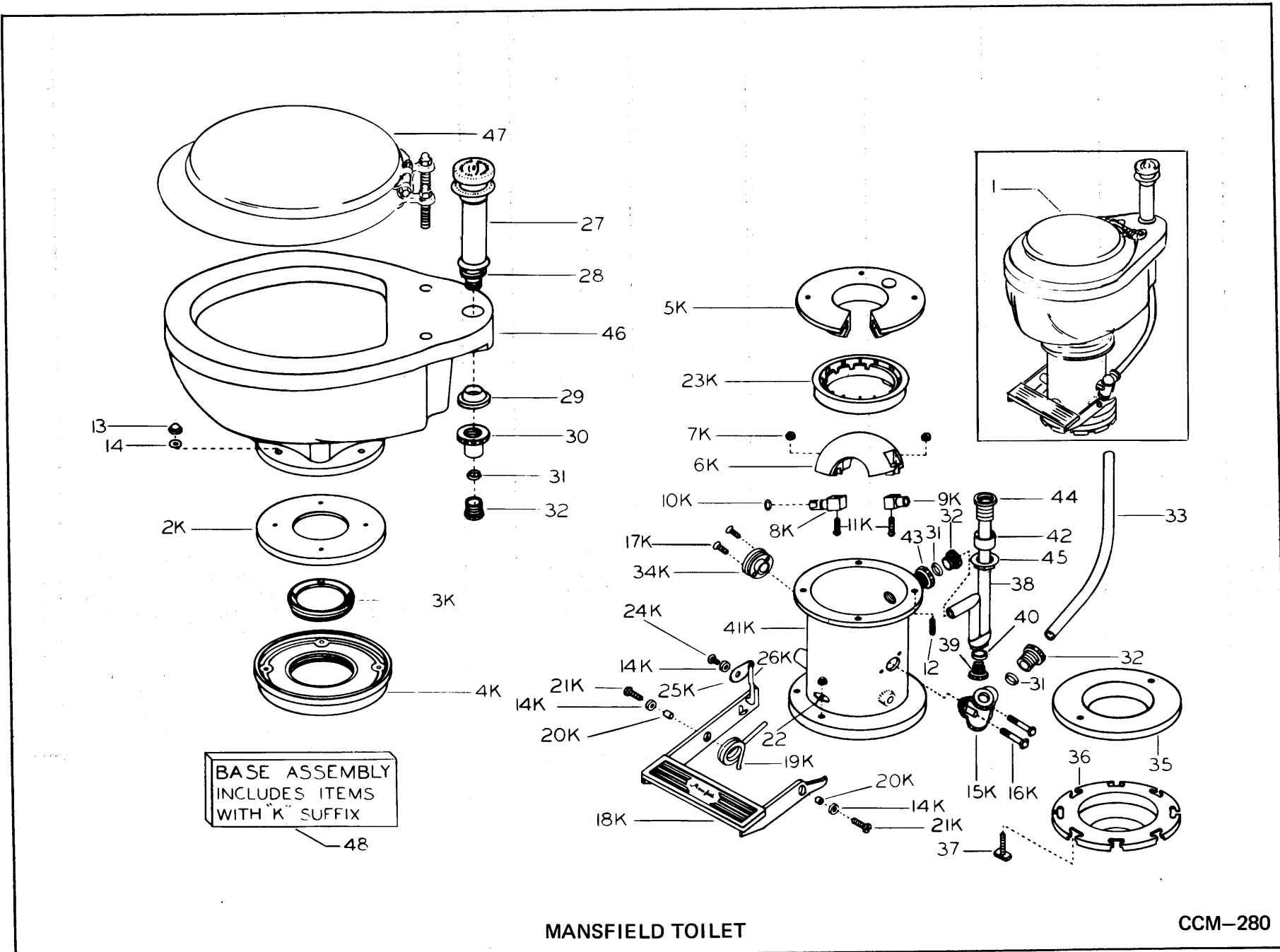
**CORTEZ DIVISION**

ITEM	TOWNSEND TOILET (Use Illustration CCM-279)	REQUIRED	Serial No. 351-905						ITEM
	DESCRIPTION								
1	Toilet Assembly Complete	1	1634096						1
2	Ball Cock and Float Assembly	1	893884						2
3	Supply Valve	1	893903						3
4	Flush Valve and Seat Assembly	1	893904						4
5	Tank Assembly Complete (Includes Items 2, 3 and 4)	1	893906						5
6	Flush Rod	1	894090						6
7	Seat and Cover	1	894091						7
8	Bowl	1	N.S.S.						8
9	Tank to Bowl Gasket	1	893905						9
10	Tank to Bowl Mounting Hardware Package	1	894092						10
11	Base and Bowl Mounting Hardware Package	1	894093						11
12	Base Assembly Complete	1	894094						12
13	Overflow Drain Tube	1	894095						13

CC-139

401

January 1, 1968



MANSFIELD TOILET

CCM-280

CC-139

402

January 1, 1968

ITEM	MANSFIELD TOILET (Use Illustration CCM-280)	REQUIRED	Serial No. 906-1800						ITEM
	DESCRIPTION								
1	Toilet Assembly Complete (Includes Items 2 thru 48)	1	1667873						1
2	Seal	1	897376						2
3	Adjusting Ring	1	897377						3
4	Plate	1	897378						4
5	Ball Seal (Rubber)	1	897379						5
6	Ball Seal	1	897380						6
7	Nut	2	897381						7
8	Activating Shaft	1	897382						8
9	Short Shaft	1	897383						9
10	"O" Ring	1	25K-20012						10
11	Screw	2	897384						11
12	Stud	4	897385						12
13	Acorn Nut	6	897386						13
14	Washer	7	664420						14
15	Manual Valve Assembly	1	897387						15
16	Screw	2	897388						16
17	Screw	2	897389						17
18	Foot Treadle Valve	1	897390						18
19	Spring	1	897391						19
20	Bushing	2	Not Used						20
21	Bolt	2	897392						21
22	Oval Washer	2	897393						22
23	Spider	1	897394						23
24	Screw	1	4G-408						24
25	Pivoting Arm	1	897395						25
26	Link	1	897396						26
27	Vacuum Breaker Assembly	1	897397						27
28	Top Bowl Seal	1	897398						28
29	Bottom Bowl Seal	1	897399						29
30	Nut	1	897400						30
31	Plastic Seal Washer	3	897401						31
32	Sealing Adjusting Nut	3	897402						32
33	Tubing	1	897403						33
34	Open End Bearing	1	897404						34
35	Sponge Gasket	1	897405						35
36	Flange	1	897406						36
37	Flange to Floor Bolt	2	897407						37
38	Trap Assembly	1	897408						38
39	Drain Plug	1	897409						39

CORTEZ DIVISION

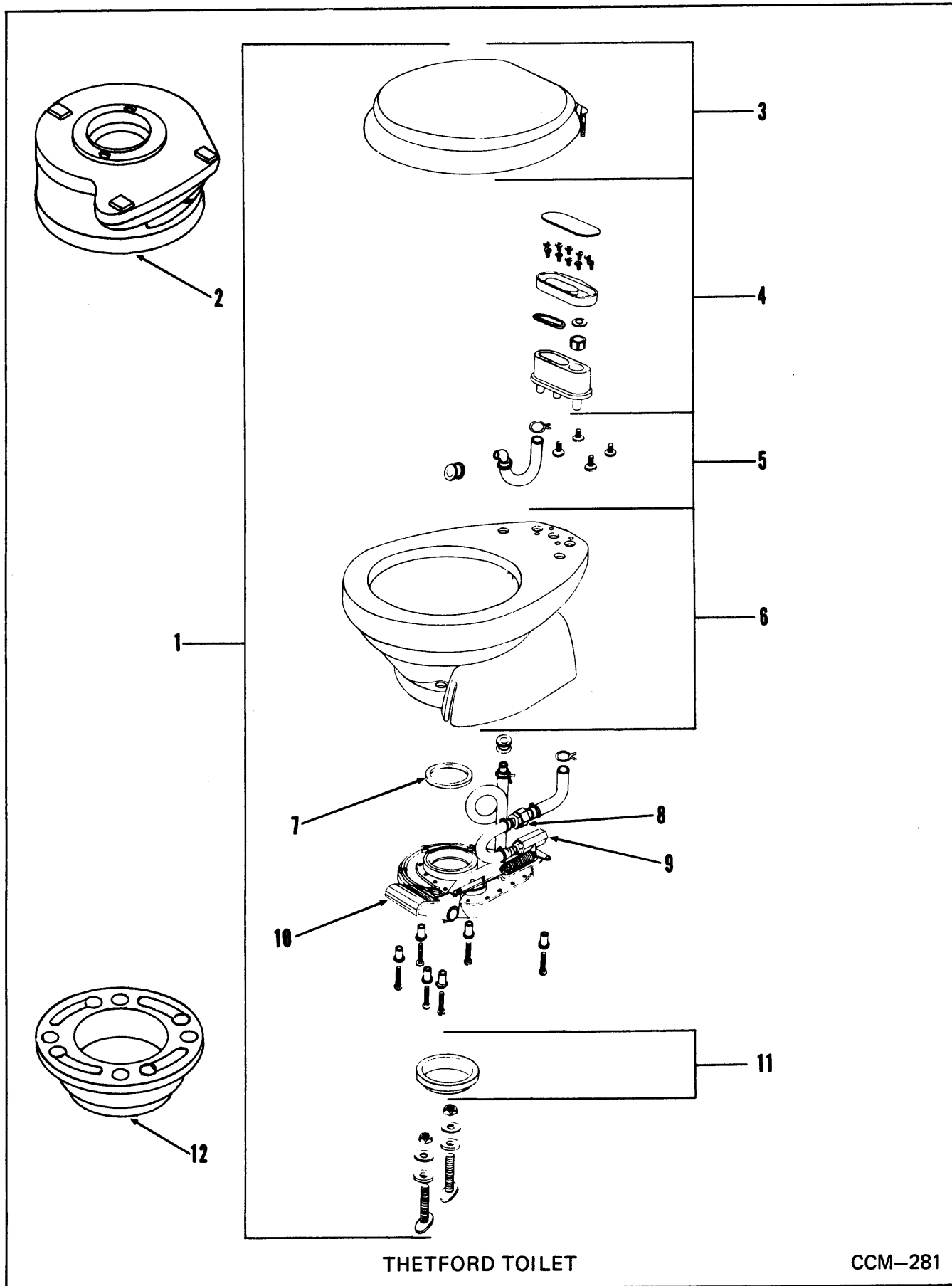
ITEM	MANSFIELD TOILET (CONT'D) (Use Illustration CCM-280)	REQUIRED	Serial No. 906-1800						ITEM
	DESCRIPTION								
40	Plug Gasket	1	897410						40
41	Base (Ref: Item 48)	1	N.S.S.						41
42	Spud Rubber	1	897411						42
43	Trap to Base Nut	1	897412						43
44	Spud	1	897413						44
45	Flange Nut	1	897414						45
46	Bowl	1	897415						46
47	Lid w/Hardware	1	897416						47
48	Base Assembly	1	897417						48

CC-139

404

January 1, 1968

# CORTEZ DIVISION



THETFORD TOILET

CCM-281

**CORTEZ DIVISION**

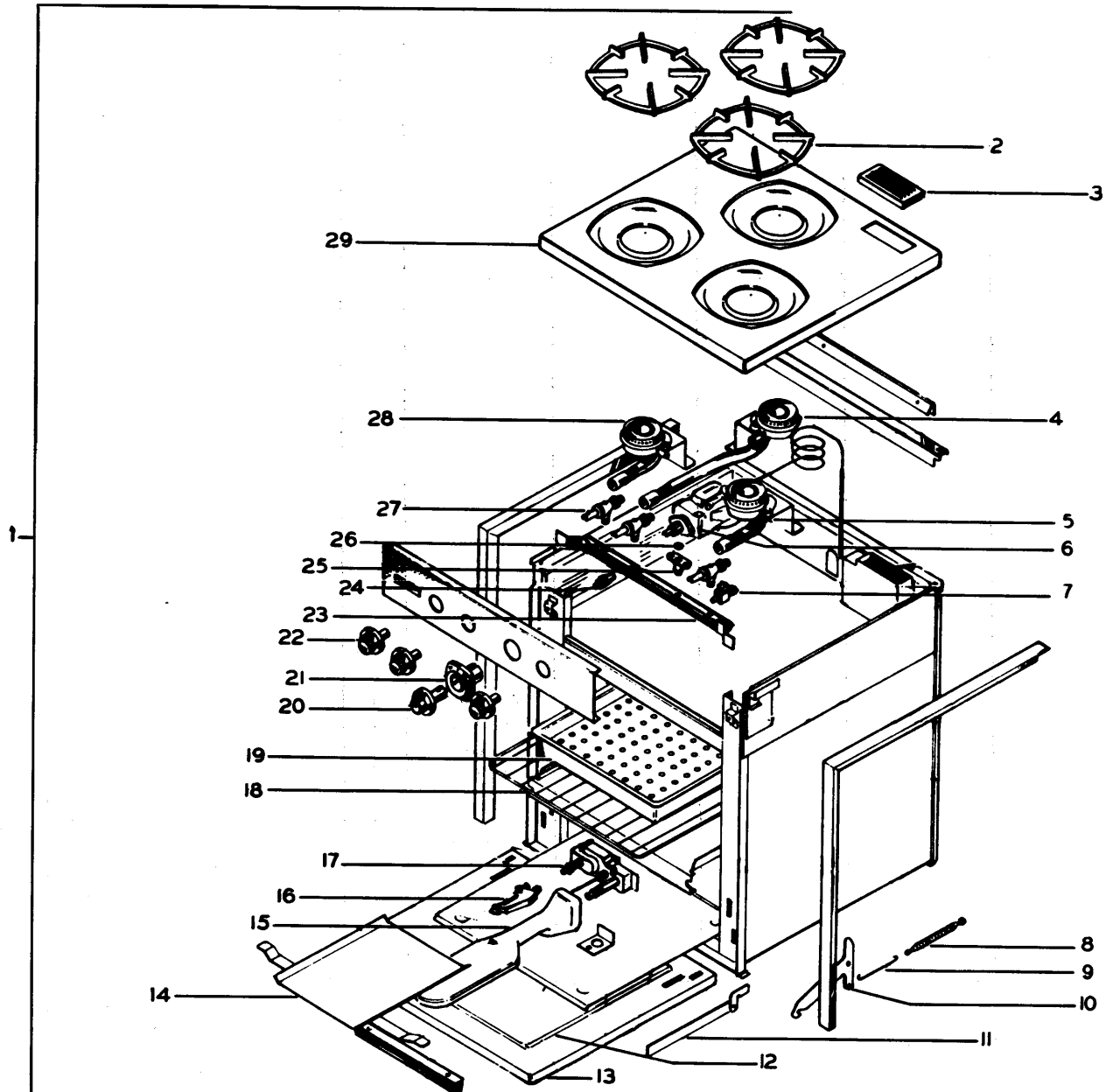
ITEM	THETFORD TOILET (Use Illustration CCM-281)	REQUIRED	Serial No. 100186 & Above						ITEM
	DESCRIPTION								
1	Toilet	1	1689401						1
2	Riser	1	1689400						2
3	Seat	1	890635						3
4	Vacuum Breaker Assembly	1	890636						4
5	Vacuum Breaker Connector Package	1	890637						5
6	Hopper	1	N.S.S.						6
7	Hopper to Mechanism Seal	1	890641						7
8	Screen Check Valve	1	890640						8
9	Control Valve	1	890638						9
10	Foot Pedal	1	N.S.S.						10
11	Closet Flange Seal	1	890639						11
12	Toilet Flange	1	1631339						12

CC-139

407

January 1, 1968





MAGIC CHEF STOVE AND OVEN

CCM-282

CORTEZ DIVISION

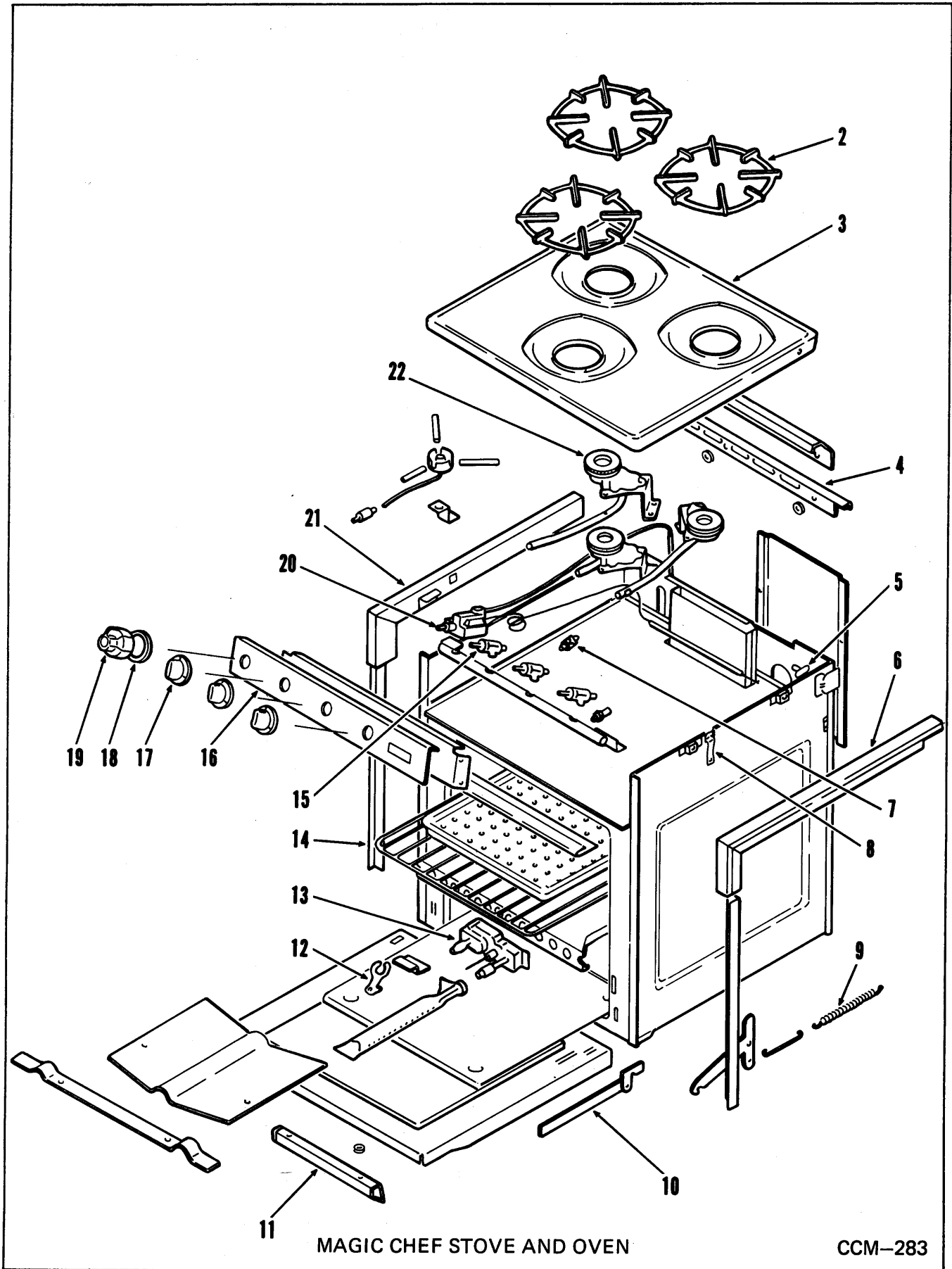
ITEM	MAGIC CHEF STOVE & OVEN (Use Illustration CCM-282)	REQUIRED	Serial No. 1-1405						ITEM
	DESCRIPTION								
1	Stove and Oven Complete	1	336818						1
2	Grate	3	894148						2
3	Grill	1	894149						3
4	Rear Top Burner Assembly	1	894150						4
5	Right Front Top Burner Assembly	1	894151						5
6	Thermostat	1	894152						6
7	Oven Shut-Off Valve	1	894153						7
8	Oven Door Spring	2	894154						8
9	Door Hook	2	894155						9
10	Spring Arm	2	***						10
11	Door Hinge—R.H.	1	894156						11
	Door Hinge—L.H.	1	894157						
12	Oven Door Liner	1	***						12
13	Oven Door	1	***						13
14	Flame Spreader	1	***						14
15	Oven Burner	1	***						15
16	Oven Pilot	1	894158						16
17	Automatic Oven Shut-Off Valve	1	894159						17
18	Oven Rack	1	894160						18
19	Broiler Pan	1	894161						19
20	Thermostat Dial	1	894162						20
21	Thermostat Bezel	1	894163						21
22	Valve Handle—Front	2	894164						22
	Valve Handle—Rear	1	894165						
23	Manifold Pipe	1	***						23
24	Half Union and Nut	1	***						24
25	Thermostat "T" Fitting	1	***						25
26	Thermostat Seal	1	***						26
27	Top Burner Valve	3	894166						27
28	Left Front Top Burner Assembly	1	894151						28
29	Main Top	1	***						29
	*** PARTS NOT CARRIED IN STOCK								

CC-139

409

January 1, 1968

# CORTEZ DIVISION



MAGIC CHEF STOVE AND OVEN

CCM-283

**CORTEZ DIVISION**

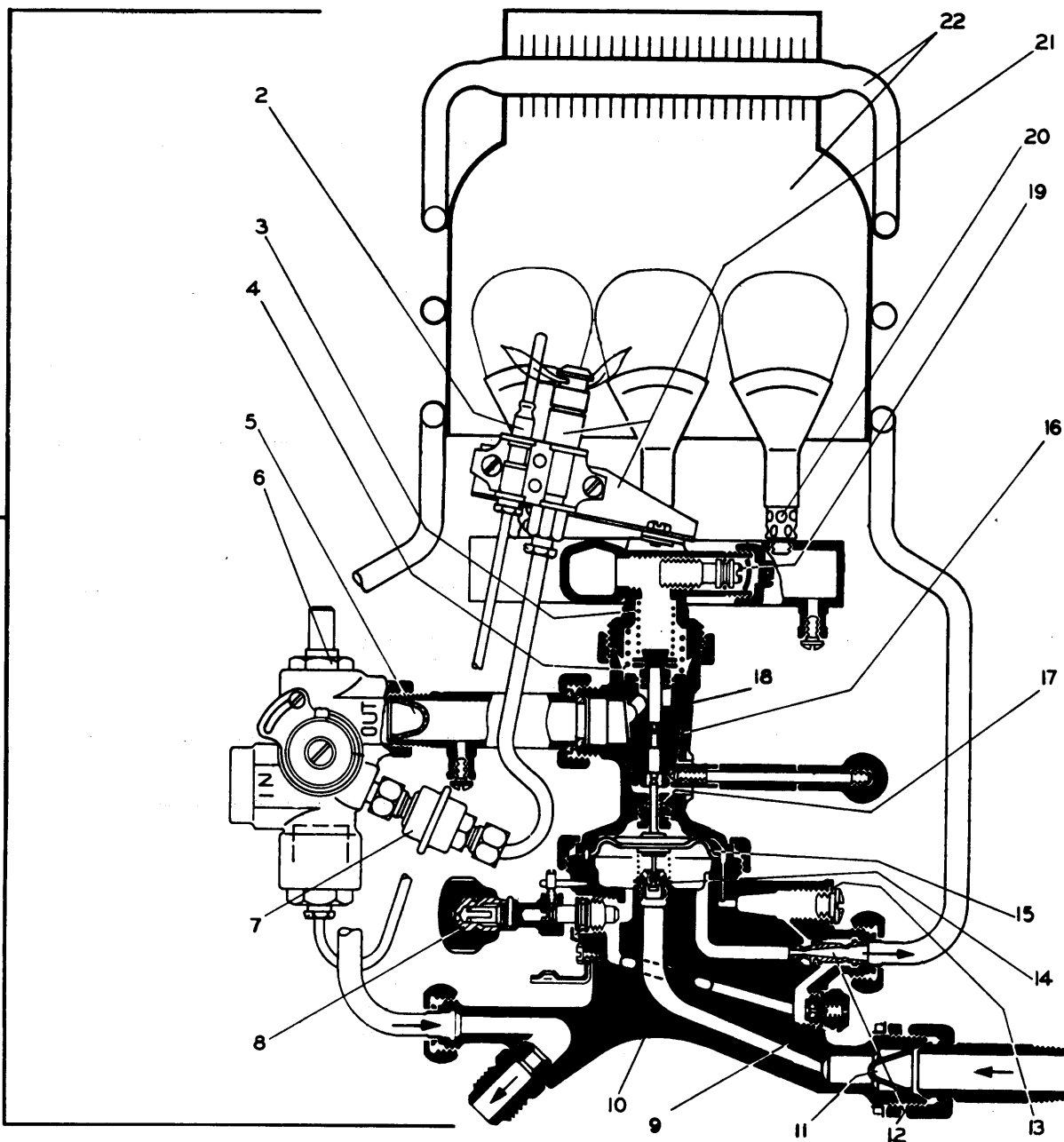
ITEM	MAGIC CHEF STOVE & OVEN (Use Illustration CCM-283)	REQUIRED	Serial No. 1406-2200						ITEM
	DESCRIPTION								
1	Stove and Oven Complete	1	1722104						1
2	Square Grate	3	894148						2
3	Main Top	1	2090019						3
4	Rear Top Trim	1	2090003						4
5	Tee Nut	1	2090009						5
6	Burner Box Trim—Right	1	2090011						6
7	Oven Shut-Off Valve	1	2090004						7
8	Main Top Hold-Down Clip	2	2090015						8
9	Oven Door Spring	1	2090008						9
10	Hinge Assembly—Right	1	894156						10
	Hinge Assembly—Left	1	894157						
11	Oven Door Handle	1	2090007						11
12	Automatic Oven Pilot	1	2090006						12
13	Automatic Oven Shut-Off Valve	1	2090005						13
14	Front Trim (Right or Left)	2	2090010						14
15	Top Burner Valve	3	894166						15
16	Manifold Panel	1	2090002						16
17	Valve Handle—Front	1	2090013						17
	Valve Handle—Rear	2	2090014						
18	Thermostat Bezel	1	894163						18
19	Thermostat Dial	1	894162						19
20	Thermostat	1	2090016						20
21	Burner Box Trim—Left	1	2090012						21
22	Burner Base and Cap	3	2090017						22
	Burner Base and Cap Gasket	3	2090018						

CC-139

411

January 1, 1968

# CORTEZ DIVISION

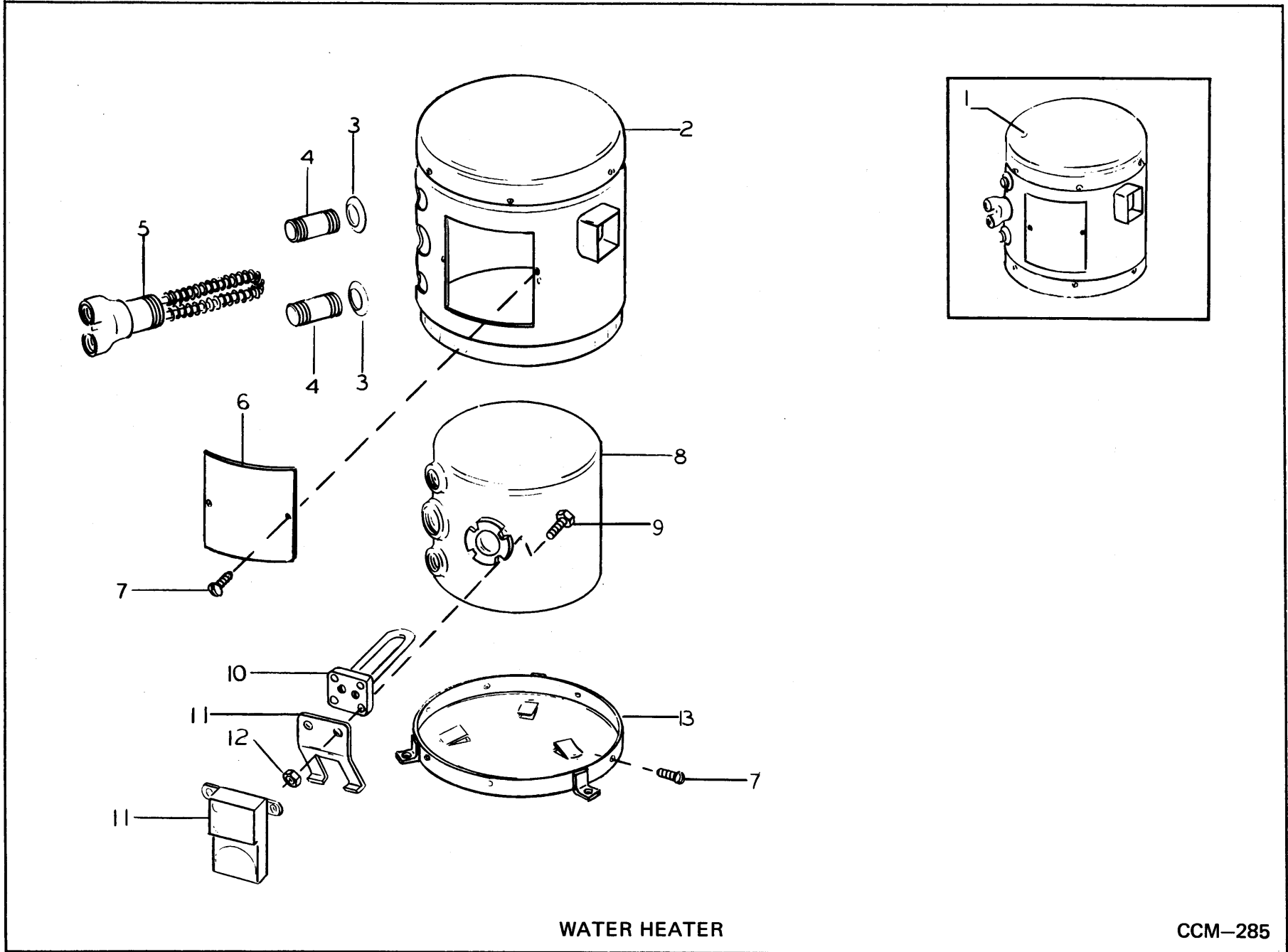
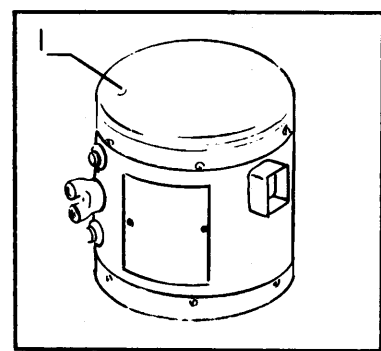


JUNKERS WATER HEATER

CCM-284

ITEM	JUNKERS WATER HEATER (Use Illustration CCM-284)	REQUIRED	Serial No. 1-350 401-500						ITEM
	DESCRIPTION								
1	Water Heater Complete	1	336857						1
2	Thermocouple Complete	1	894265						2
3	Gas Valve Spring	1	894266						3
4	Gas Plug Spring	1	894267						4
5	Gas Filter	1	894268						5
6	Automatic Pilot Valve	1	894269						6
7	Pilot Gas Filter	1	894270						7
8	Temperature Selector Assembly	1	894271						8
9	Blow-Off Valve (Drain Plug)	1	894272						9
10	Water Valve Assembly	1	894273						10
11	Water Filter	1	894274						11
12	Venturi w/"O" Rings	1	894275						12
13	Slow Ignition Valve	1	894276						13
14	Volumetric Water Governor	1	894277						14
15	Diaphragm	1	894278						15
16	Water Actuated Gas Valve	1	894279						16
17	"O" Ring	1	894280						17
18	Gas Valve Assembly Complete	1	894281						18
19	Gas Throttle	1	894282						19
20	Main Burner Assembly Complete	1	894283						20
21	Pilot Burner Assembly w/Tubes	1	894284						21
22	Heating Body	1	894285						22

# CORTEZ DIVISION



WATER HEATER

CCM-285

CC-139

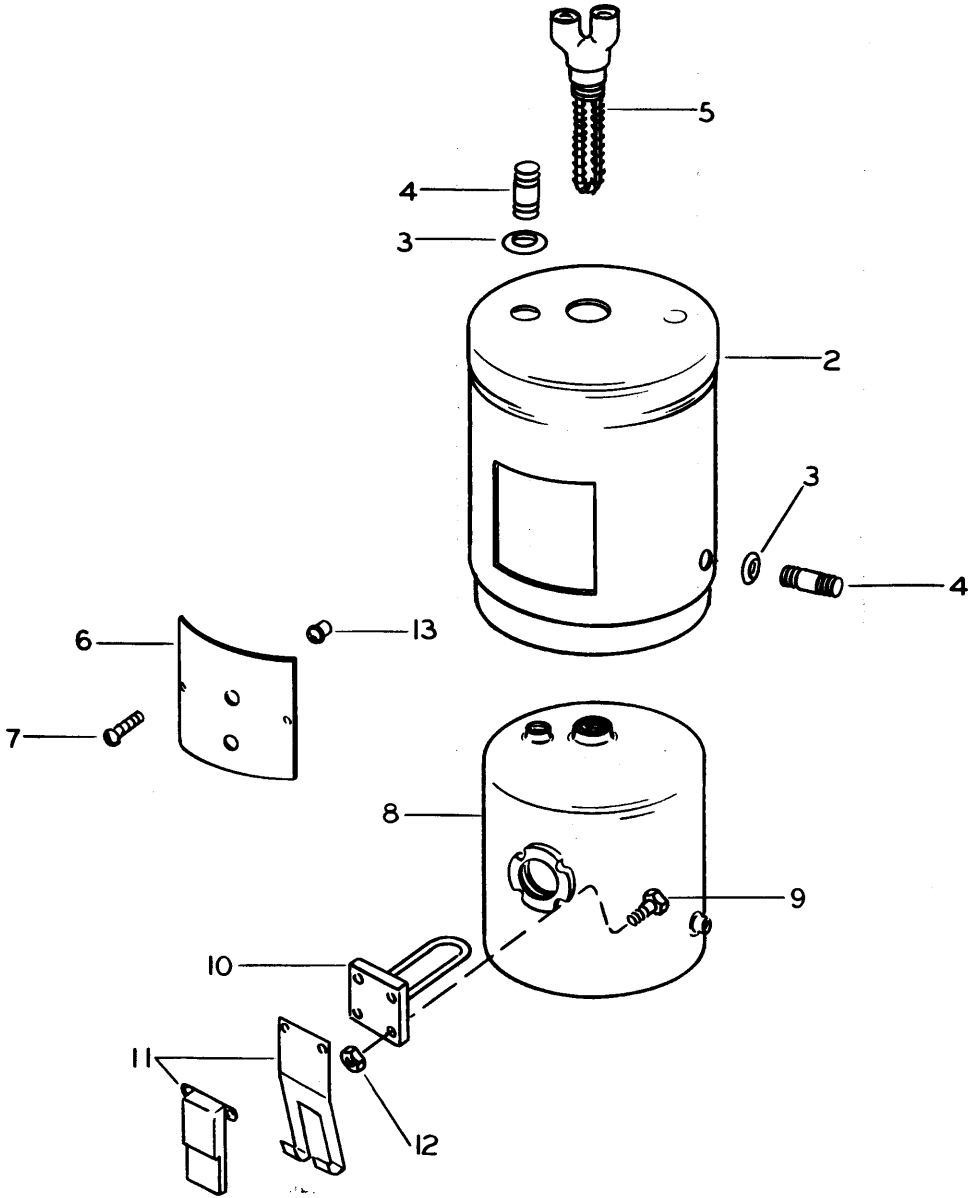
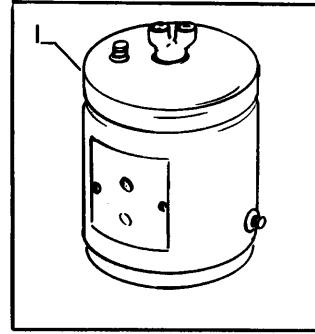
414

January 1, 1968

ITEM	WATER HEATER (Use Illustration CCM-285)	REQUIRED	Serial No. 351-400						ITEM
	DESCRIPTION								
1	Water Heater Complete	1	1638205						1
2	Heater Housing	1	N.S.S.						2
3	Grommet	2	894344						3
4	Nipple	2	5K-420						4
5	Heat Exchanger	1	894345						5
6	Cover	1	N.S.S.						6
7	Screw	8	18G-1012						7
8	Tank	1	894346						8
9	Bolt	4	1C-616						9
10	Heating Element	1	894347						10
11	Thermostat w/Bracket	1	894348						11
12	Nut	4	1D-06						12
13	Housing Bottom	1	N.S.S.						13

CORTEZ DIVISION





WATER HEATER

CCM-286

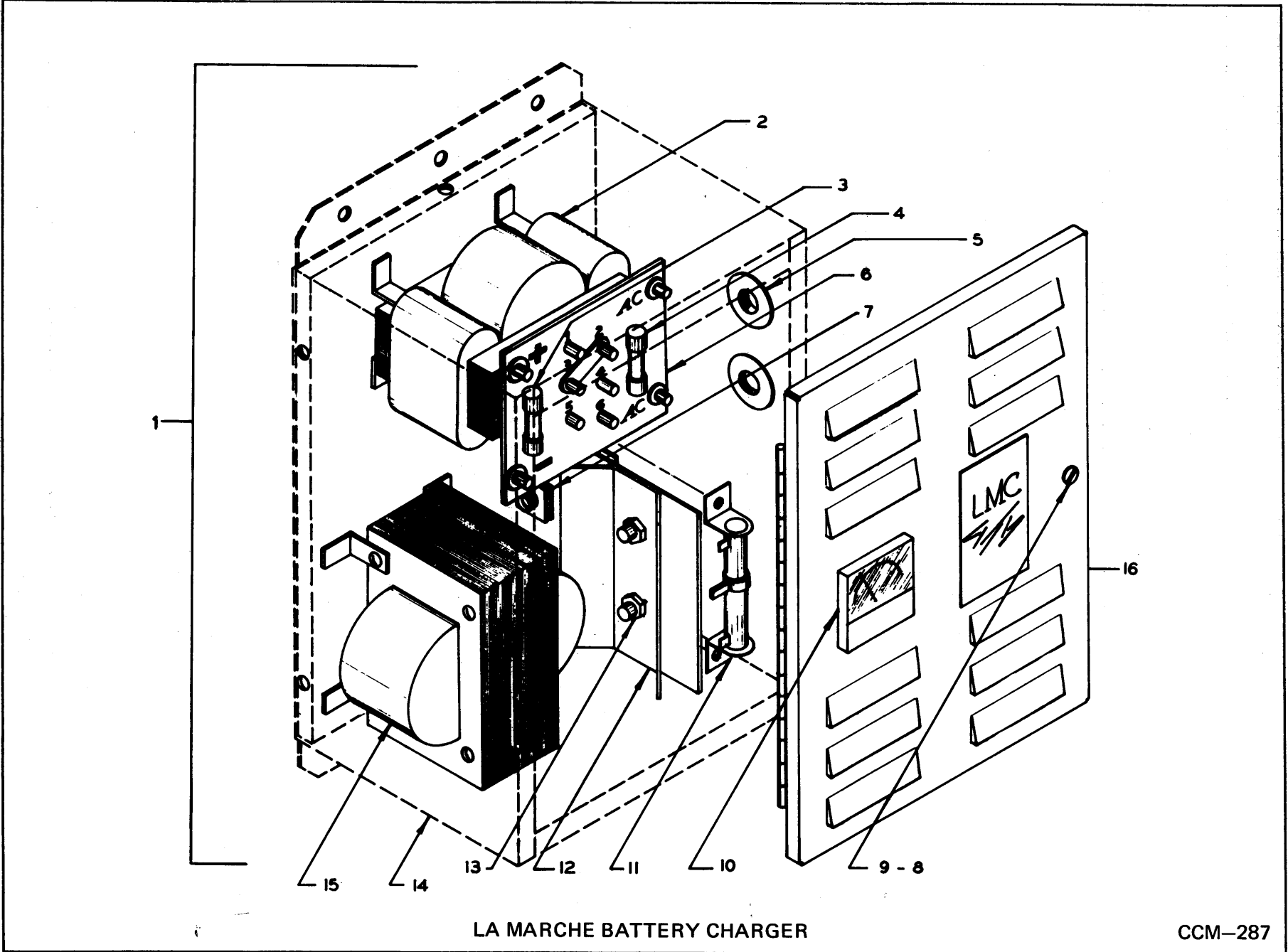
**CORTEZ DIVISION**

ITEM	WATER HEATER (Use Illustration CCM-286)	REQUIRED	Serial No. 501-2200						ITEM
	DESCRIPTION								
1	Water Heater Complete	1	1638399						1
2	Heater Housing	1	N.S.S.						2
3	Grommet	2	894344						3
4	Nipple	2	5K-420						4
5	Heat Exchanger	1	894345						5
6	Cover	1	N.S.S.						6
7	Screw	8	18G-1012						7
8	Tank	1	894346						8
9	Bolt	4	1C-616						9
10	Heating Element	1	894347						10
11	Thermostat w/Bracket	1	894348						11
12	Nut	4	1D-06						12
13	Neon Pilot Lamp	1	898795						13

CC-139

417

January 1, 1968



LA MARCHÉ BATTERY CHARGER

CCM-287

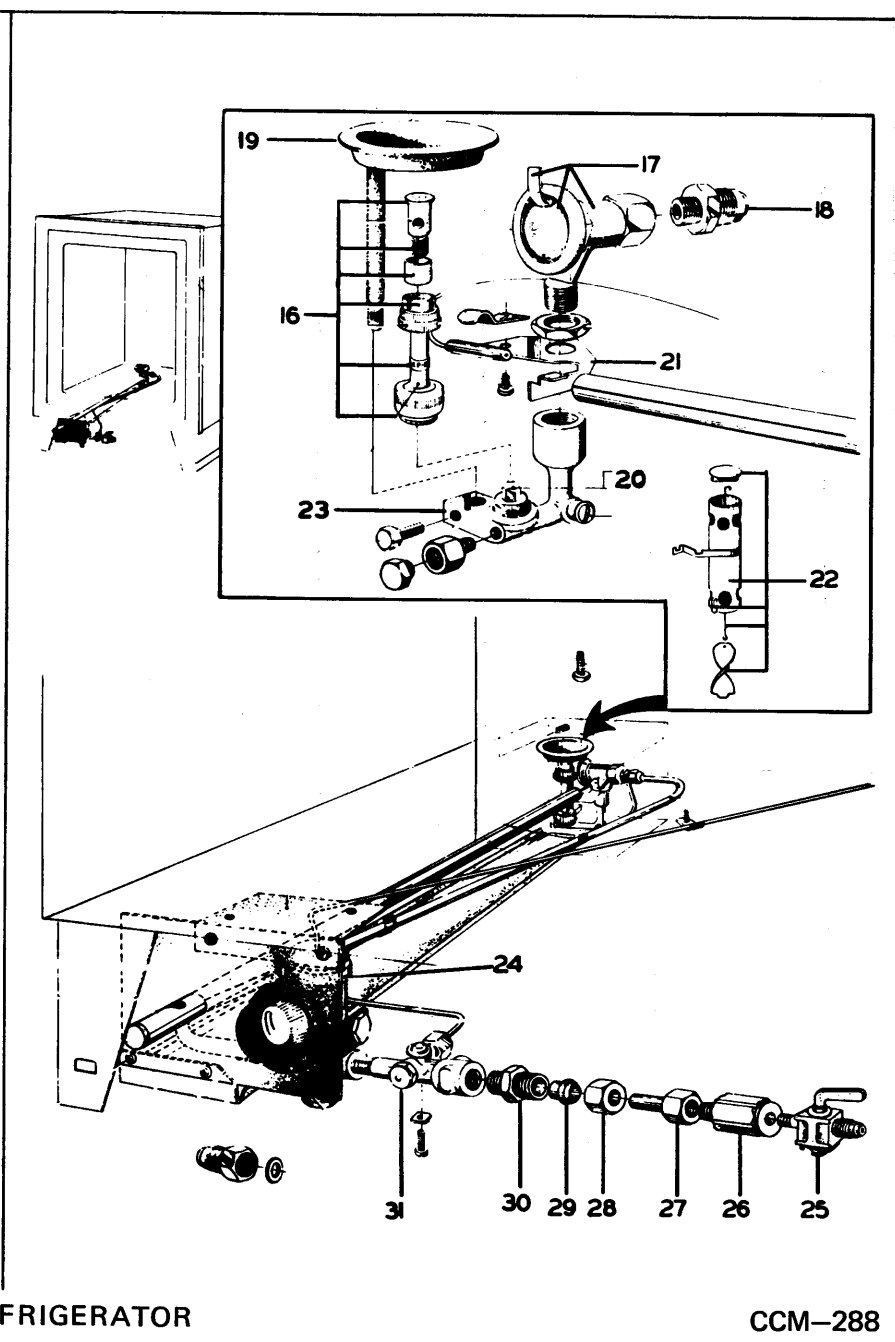
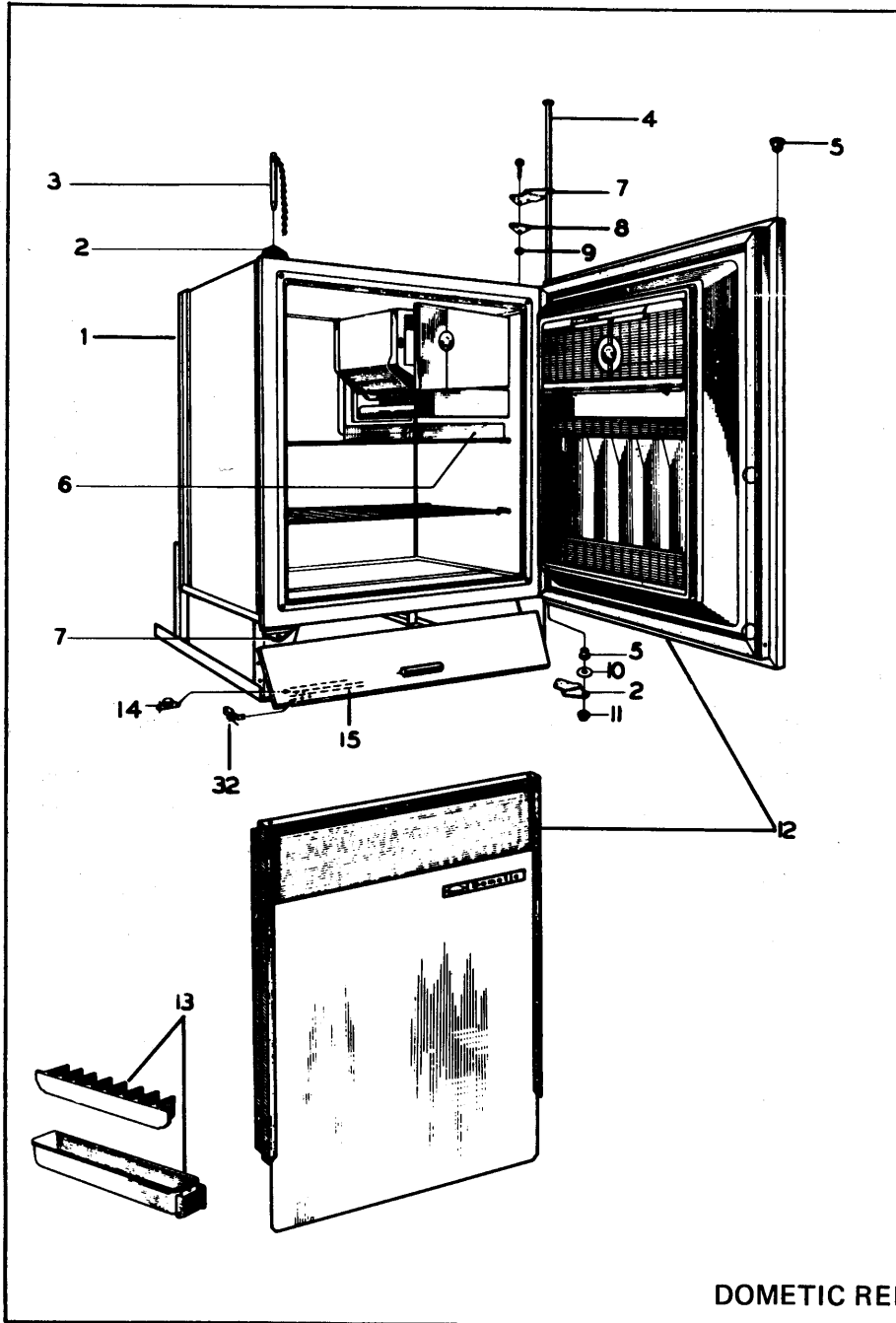
**CORTEZ DIVISION**

ITEM	LA MARCHE BATTERY CHARGER (Use Illustration CCM-287)	REQUIRED	Serial No. 351-400						ITEM
	DESCRIPTION								
1	Battery Charger Complete	1	1649366						1
2	Reactor Assembly	1	N.S.S.						2
3	Output Fuse (30A-250V)	1	602628						3
4	Input Fuse (8A-250V)	1	894566						4
5	Grommet	4	730630						5
6	Terminal Board	1	894567						6
7	Surge Protector	1	894568						7
8	Speed Nut	1	1307649						8
9	Locking Screw	1	894569						9
	Retaining Washer	1	1634454						
10	DC Ammeter	1	894570						10
11	Variable Resistor	1	894571						11
12	Silicon Stack Assembly	1	894572						12
13	Silicon Cells	2	894573						13
14	Enclosure	1	N.S.S.						14
15	Transformer	1	N.S.S.						15
16	Lid	1	N.S.S.						16

CC-139

419

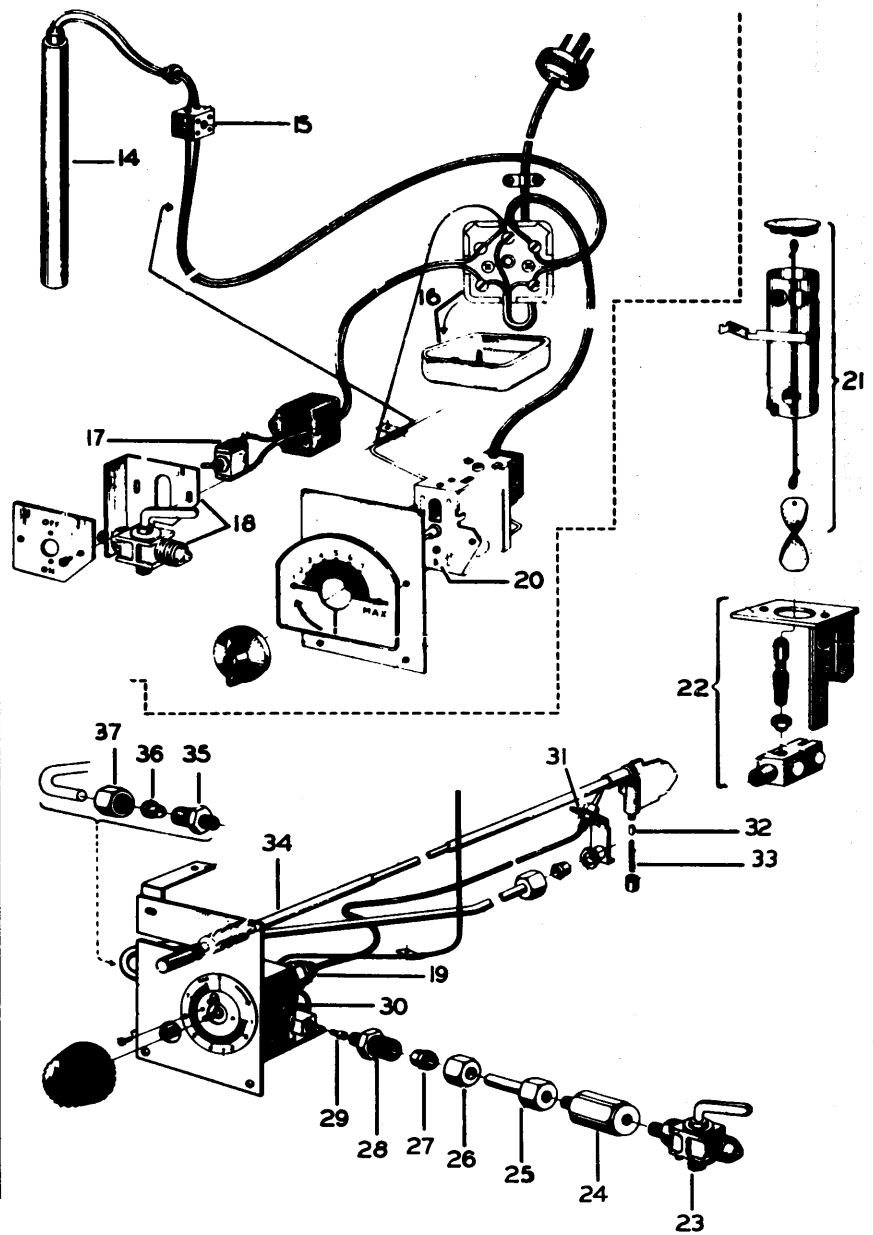
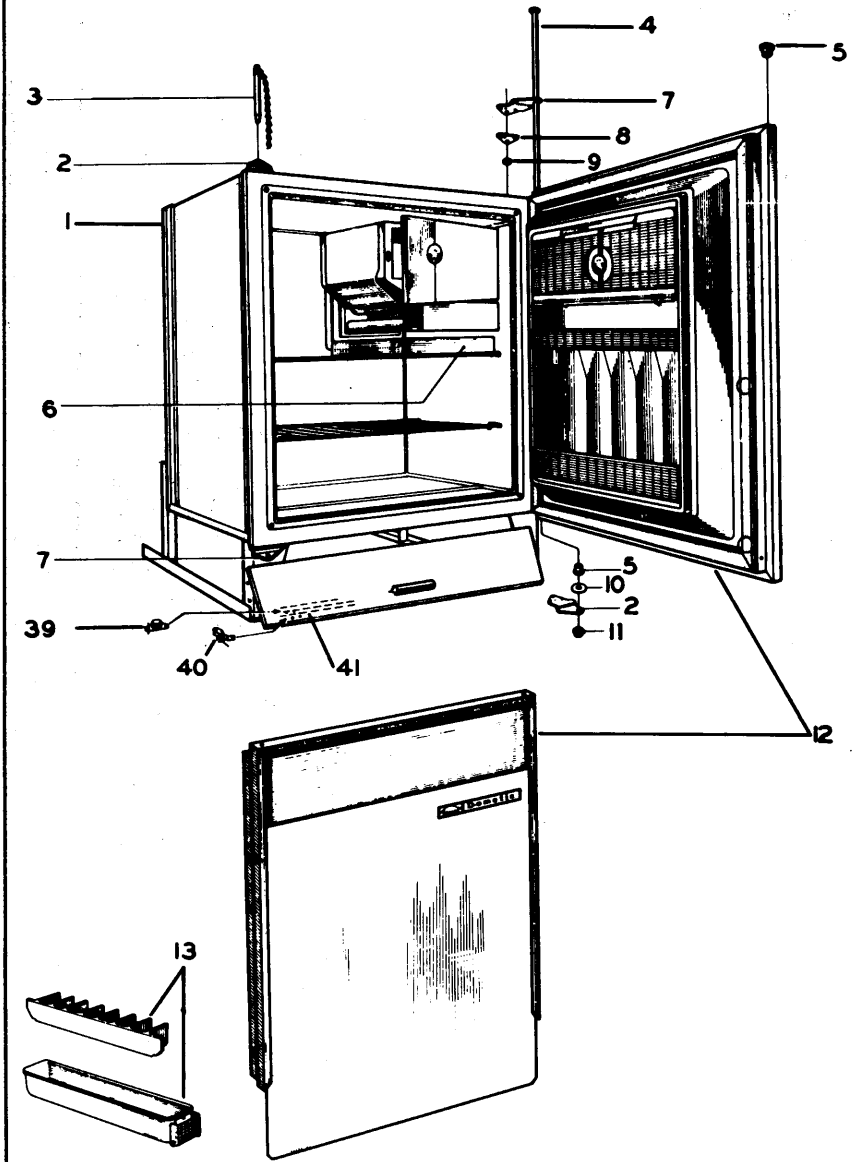
January 1, 1968



DOMETIC REFRIGERATOR

CCM-288

ITEM	DOMETIC REFRIGERATOR (GAS) (Use Illustration CCM-288)	REQUIRED	Serial No. 1-100						ITEM
	DESCRIPTION								
1	Refrigerator Assembly Complete	1	336861						1
2	Hinge	2	894114						2
3	Pin and Chain	1	894115						3
4	Hinge Pin	1	894116						4
5	Bushing	3	894117						5
6	Drip Tray	1	894118						6
7	Hinge Plate	2	894119						7
8	Friction Washer	1	Not Used						8
9	Washer	1	COMM.						9
10	Washer	1	COMM.						10
11	Nut	1	51D-10J						11
12	Door Assembly	1	894120						12
13	Ice Tray Complete	1	894121						13
14	Clip	2	894122						14
15	Shutter Complete	1	894123						15
16	Burner Barrel Complete	1	894124						16
17	Klixon Valve Complete	1	894125						17
18	Fitting	1	***						18
19	Burner Holder	1	***						19
20	Jet (For Propane)	1	894126						20
	Jet (For Butane)	1	894127						
21	Holder	1	***						21
22	Baffle Complete	1	894128						22
23	Burner Base	1	***						23
24	Thermostat Complete	1	894129						24
25	Gas Cock	1	894130						25
26	Gas Filter	1	894131						26
27	Fitting	1	***						27
28	Nut	1	***						28
29	Sleeve	1	***						29
30	Fitting	1	***						30
31	Lighting Valve	1	894132						31
32	Clip	2	894133						32
	*** PARTS NOT CARRIED IN STOCK								



DOMETIC REFRIGERATOR

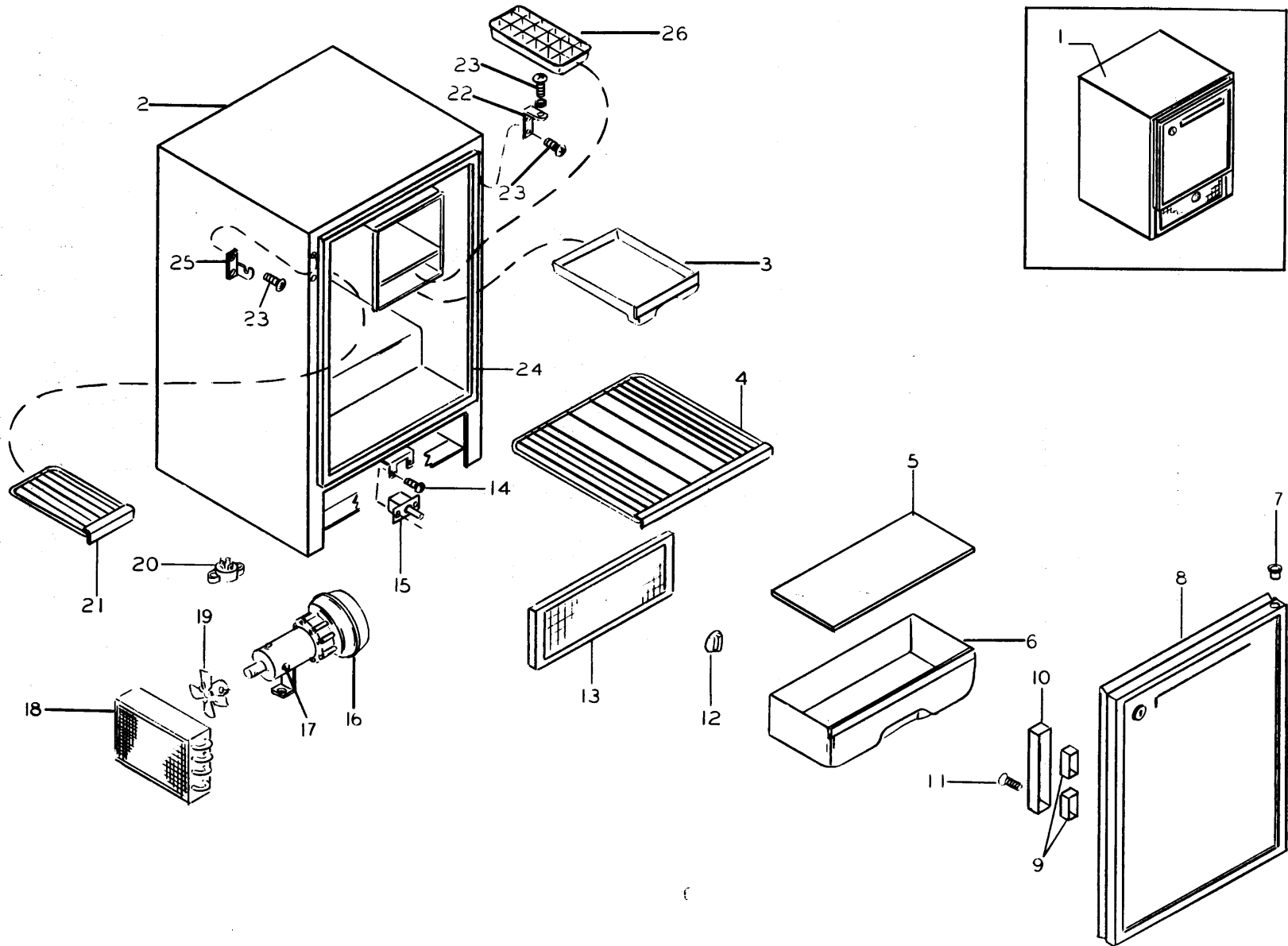
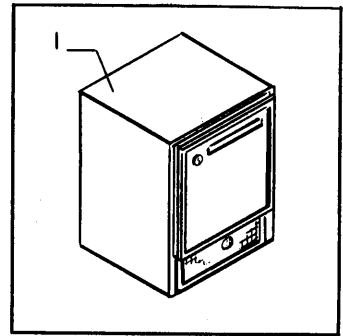
CCM-289

CORTEZ DIVISION

ITEM	DOMETIC REFRIGERATOR (Use Illustration CCM-289)	REQUIRED	Serial No. 101-350	Serial No. 401-2200					ITEM
	DESCRIPTION								
1	Refrigerator Assembly Complete	1	1628300	336861					1
2	Hinge Plate	2	894114						2
3	Pin and Chain	1	894115						3
4	Hinge Pin	1	894116						4
5	Bushing	2	894117						5
6	Drip Tray	1	894118						6
7	Hinge Plate	2	894119						7
8	Thrust Washer		Not Used						8
9	Washer	1	COMM.						9
10	Washer	1	COMM.						10
11	Nut	1	51D-10J						11
12	Door Assembly	1	894120						12
13	Ice Cube Tray Complete	2	894121						13
14	Heating Element	1	894134	Not Used					14
15	Connector	1	***						15
16	Junction Box	1	***						16
17	Switch	1	894135	Not Used					17
18	Shut-Off Cock	1	894136	Not Used					18
19	Safety Valve	1	894137						19
20	Electric Thermostat w/Knob	1	894138	Not Used					20
21	Baffle Complete	1	894128						21
22	Burner Assembly	1	894139						22
23	Gas Cock	1	894130						23
24	Gas Filter	1	894131						24
25	Fitting	1	***						25
26	Nut	1	***						26
27	Ferrule	1	***						27
28	Connector	1	***						28
29	By-Pass Screw	1	894140						29
30	Gas Thermostat w/Knob	1	894141						30
31	Thermo Couple	1	894142						31
32	Flint	1	894143						32
33	Flint Spring	1	894144						33
34	Flintstone Lighter Complete	1	894905						34
35	Connector	1	***						35
36	Ferrule	1	***						36
37	Nut	1	***						37
38	Flintstone Wheel	1	894906						38
39	Clip	2	894122	*** PARTS NOT CARRIED IN STOCK					39
40	Clip	2	894133						40
41	Shutter Complete	1	894123						41

CORTEZ DIVISION





MARVEL REFRIGERATOR

CCM-290

# CORTEZ DIVISION

ITEM	MARVEL REFRIGERATOR (Use Illustration CCM-290)	REQUIRED	Serial No. 351-400						ITEM
	DESCRIPTION								
1	Refrigerator Complete	1	1634006						1
2	Cabinet	1	N.S.S.						2
3	Meat Tray	1	894320						3
4	Meat Tray Shelf	1	894321						4
5	Glass Shelf	1	894322						5
6	Crisper Drawer	1	894323						6
7	Door Hinge Bushing Set	1	894324						7
8	Door Assembly	1	894325						8
9	Magnets Set	1	894326						9
10	Magnet Housing	1	894327						10
11	Housing Screw	3	COMM.						11
12	Thermostat Knob	1	894328						12
13	Grille	1	894329						13
14	Thermostat Screw	2	COMM.						14
15	Thermostat	1	894330						15
16	Compressor & Motor Assembly	1	894331						16
17	Motor Brush	2	894332						17
18	Condenser	1	894333						18
19	Fan Blade	1	894334						19
20	Circuit Breaker	1	894335						20
21	Shelf	1	894336						21
22	Door Hinge Set	1	894337						22
23	Hinge Screw	8	81G-1008N w/15E-10						23
24	Door Seal	1	894338						24
25	Bracket, Lock	1	***						25
26	Ice Cube Tray	2	***						26
*** PARTS NOT CARRIED IN STOCK									

CC-139

425

January 1, 1968

ITEM	PAINT	REQUIRED	Serial No. 401-500	Serial No. 101-350 351-400	Serial No. 501-906	Serial No. 906-2200			ITEM
	DESCRIPTION								
1	Metallic Gold Paint	AR		1800472	Not Used	Not Used			1
	6—16 oz. Cans	AR		1800473	Not Used	Not Used			
	1—1 qt. Can	AR		1800474	Not Used	Not Used			
2	White Paint								2
	6—16 oz. Cans	AR	1800331	1800475	1800331	1800624			
	1—1 qt. Can	AR	1800394	1800476	1800394	1800620			
3	Metallic Gray Paint								3
	6—16 oz. Cans	AR		1800478	Not Used	Not Used			
	1—1 qt. Can	AR		1800479	Not Used	Not Used			
4	Beige Paint								4
	6—16 oz. Cans	AR	1800332	1800332	1800332	1800625			
	1—1 qt. Can	AR	1800395	1800395	1800395	1800621			
5	Metallic Carmel Paint								5
	6—16 oz. Cans	AR		1800481	Not Used	Not Used			
	1—1 qt. Can	AR		1800482	Not Used	Not Used			
6	Sun Haze Yellow Paint								6
	6—16 oz. Cans	AR		1800484	Not Used	Not Used			
	1—1 qt. Can	AR		1800485	Not Used	Not Used			
7	Bronze Paint								7
	6—16 oz. Cans	AR	1800333	Not Used	1800333	1800626			
	1—1 qt. Can	AR	1800396	Not Used	1800396	1800622			
8	Green Paint								8
	6—16 oz. Cans	AR	1800335	Not Used	1800335	Not Used			
	1—1 qt. Can	AR	1800398	Not Used	1800398	Not Used			
9	Brown Paint								9
	6—16 oz. Cans	AR	1800334	Not Used	Not Used	Not Used			
	1—1 qt. Can	AR	1800397	Not Used	Not Used	Not Used			
10	Tan Metallic Paint								10
	6—16 oz. Cans	AR				1800627			
	1—1 qt. Can	AR				1800623			
	1—1 gal. Can	AR				1800619			

CORTEZ DIVISION